

10

9

8

7

6

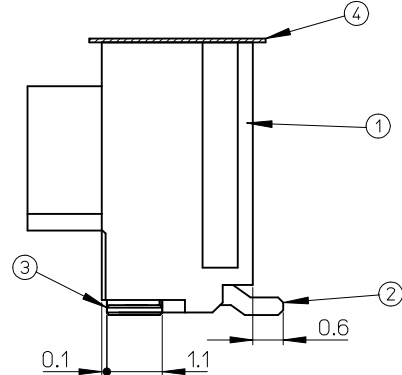
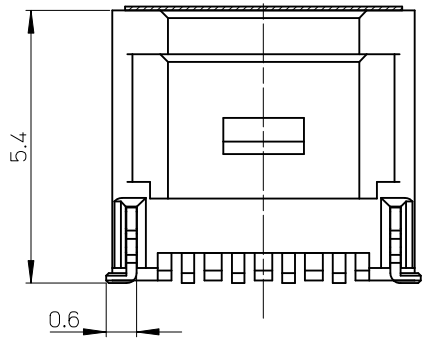
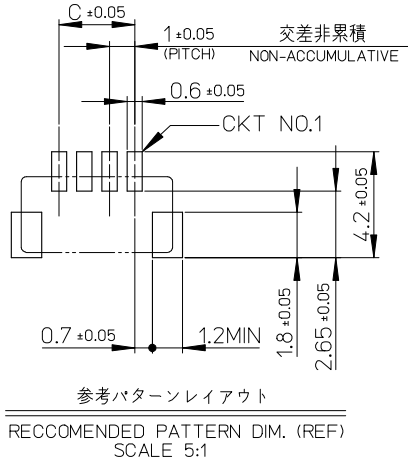
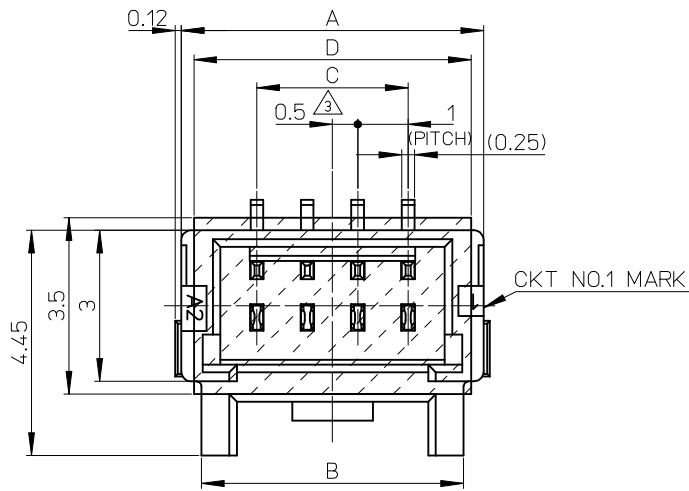
5

4

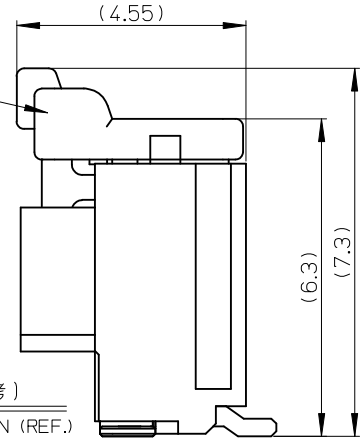
3

2

1



501939-\*\*0\*  
501939-\*\*3\*



番号 NO.	部品 PART	材質 MATERIAL
①	ウェハー WAFER	耐熱ナイロン樹脂 UL94V-0 色:表参照 HEAT RESISTANCE NYLON, UL94V-0, COLOR:SEE TABLE
②	ソルダーピン SOLDER PIN	りん青銅 PHOSPHOR BRONZE 錫メッキ: 1.0µmMIN. TIN ニッケルメッキ(下地): 1.0µmMIN. NICKEL(UNDER PLATING)
③	ネイル NAIL	りん青銅 PHOSPHOR BRONZE 錫メッキ: 1.0µmMIN. TIN ニッケルメッキ(下地): 1.0µmMIN. NICKEL(UNDER PLATING)
④	カバーテープ COVER TAPE	ポリイミドテープ POLYIMIDE TAPE

NOTES.

- 嵌合相手: 501939-\*\*\*\*  
MATE WITH: 501939-\*\*\*\*
- ソルダーピン及びネイル平坦度は、0.1MAX.  
SOLDER PIN AND NAIL COPLANARITY TO BE 0.1MAX.
- △ 極数=偶数に適用  
APPLY FOR CKT SIZE=EVEN

6.5	4.0	5.2	7.0	5
5.5	3.0		6.0	4
4.5	2.0	4.2	5.0	3
D	C	B	A	極数 CIRCUITS

CONNECTOR SERIES No. 501940-\*\*\*9

REVISED EC NO: J2010-0339 DRWN: TAKAGAWA01 2009/09/01 CHKD: MATSUMOTO 2009/09/01 APPR: HIRATA 2009/09/01	GENERAL TOLERANCES (UNLESS SPECIFIED)		DIMENSION STYLE MM ONLY	SCALE 10:1	DESIGN UNITS METRIC	THIRD ANGLE PROJECTION
	10 UNDER	± 0.2	DRAWN BY NYOSHIDA	DATE 2005/09/16	TITLE 1.0 WIRE TO BOARD CONN. WAFER ASS'Y 1-ROW ST POSI-LOCK -LEAD FREE-	
	10 OVER 30 UNDER	± 0.25	CHECKED BY AMIZUMURA	DATE 2005/09/16	MOLEX INCORPORATED	
	30 OVER	± 0.3	APPROVED BY MYAGI	DATE 2005/09/16	DOCUMENT NO. SD-501940-001	SHEET NO. 1 OF 2
	ANGULAR	± 3 °	MATERIAL NO. SEE SHEET 2	THIS DRAWING CONTAINS INFORMATION THAT IS PROPRIETARY TO MOLEX INCORPORATED AND SHOULD NOT BE USED WITHOUT WRITTEN PERMISSION		

9

8

7

6

5

4

3

2

紫 PA46 VIOLET	橙 PA46 ORANGE	茶 PA46 BROWN	緑 PA46 GREEN	色 COLOR
501940-0597	501940-0587	501940-0577	501940-0567	5
501940-0497	501940-0487	501940-0477	501940-0467	4
501940-0397	501940-0387	501940-0377	501940-0367	3
EMBOSSSED PACKAGE	EMBOSSSED PACKAGE	EMBOSSSED PACKAGE	EMBOSSSED PACKAGE	極数
オーダー番号 ORDER NO.	オーダー番号 ORDER NO.	オーダー番号 ORDER NO.	オーダー番号 ORDER NO.	CIRCUITS

CONNECTOR SERIES No. 501940-\*\*\*9

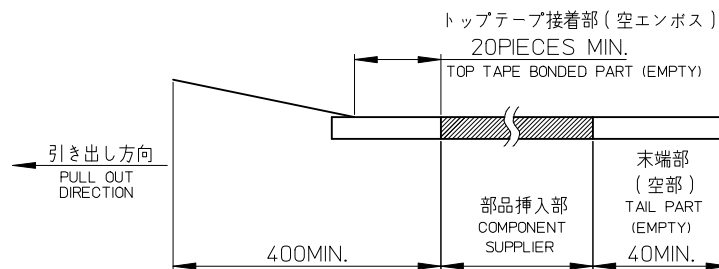
青 PA46 BLUE	黄 PA46 YELLOW	赤 PA46 RED	黒 PA46 BLACK	自然色 PA6T NATURAL	色 COLOR
501940-0547	501940-0537	501940-0527		501940-0507	5
501940-0447	501940-0437	501940-0427	501940-0417	501940-0407	4
501940-0347	501940-0337	501940-0327	501940-0317	501940-0307	3
EMBOSSSED PACKAGE	EMBOSSSED PACKAGE	EMBOSSSED PACKAGE	EMBOSSSED PACKAGE	EMBOSSSED PACKAGE	極数
オーダー番号 ORDER NO.	オーダー番号 ORDER NO.	オーダー番号 ORDER NO.	オーダー番号 ORDER NO.	オーダー番号 ORDER NO.	CIRCUITS

CONNECTOR SERIES No. 501940-\*\*\*9

REVISED EC NO: J2010-0339 DRWN: TAKAGAWA01 2009/09/01 CHKD: MATSUMOTO 2009/09/01 APPR: HIRATA 2009/09/01	GENERAL TOLERANCES (UNLESS SPECIFIED)		DIMENSION STYLE MM ONLY	SCALE 10:1	DESIGN UNITS METRIC	THIRD ANGLE PROJECTION
	10 UNDER	±0.2	DRAWN BY NYOSHIDA	DATE 2005/09/16	TITLE 1.0 WIRE TO BOARD CONN. WAFER ASS'Y 1-ROW ST POSI-LOCK -LEAD FREE-	
	10 OVER 30 UNDER	±0.25	CHECKED BY AMIZUMURA	DATE 2005/09/16		
	30 OVER	±0.3	APPROVED BY MYAGI	DATE 2005/09/16		
ANGULAR ±3 °		MATERIAL NO.	SEE TABLE		DOCUMENT NO. SD-501940-001	SHEET NO. 2 OF 2
	DRAFT WHERE APPLICABLE MUST REMAIN WITHIN DIMENSIONS	SIZE A3	THIS DRAWING CONTAINS INFORMATION THAT IS PROPRIETARY TO MOLEX INCORPORATED AND SHOULD NOT BE USED WITHOUT WRITTEN PERMISSION			

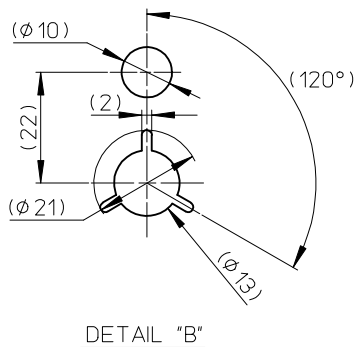
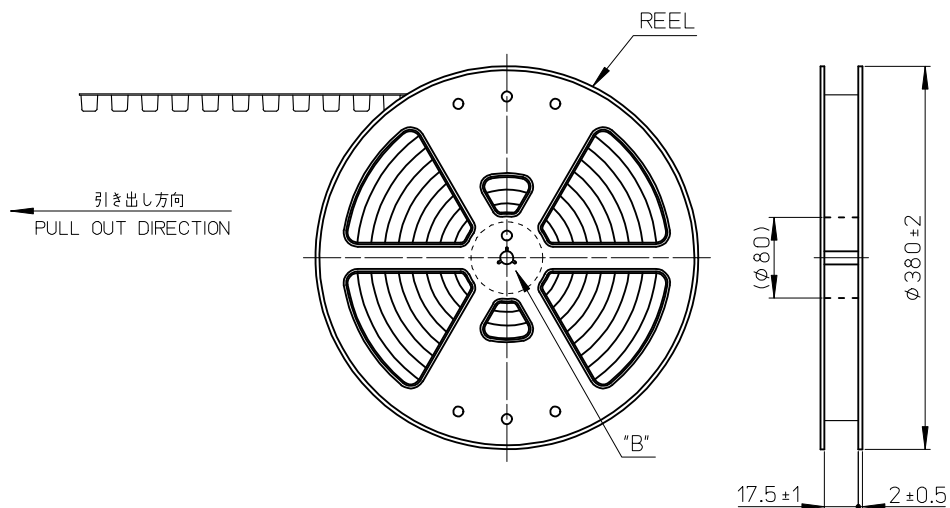
NOTES

1. 製品詳細寸法については製品単体図面を参照ください。  
RE DETAILED DIMENSION, SEE PRODUCT DRAWING.
2. 梱包数量：1100個/リール  
NUMBER OF CONNECTORS : 1100PIECES/REEL
3. リードテープ長さ  
LEAD TAPE LENGTH

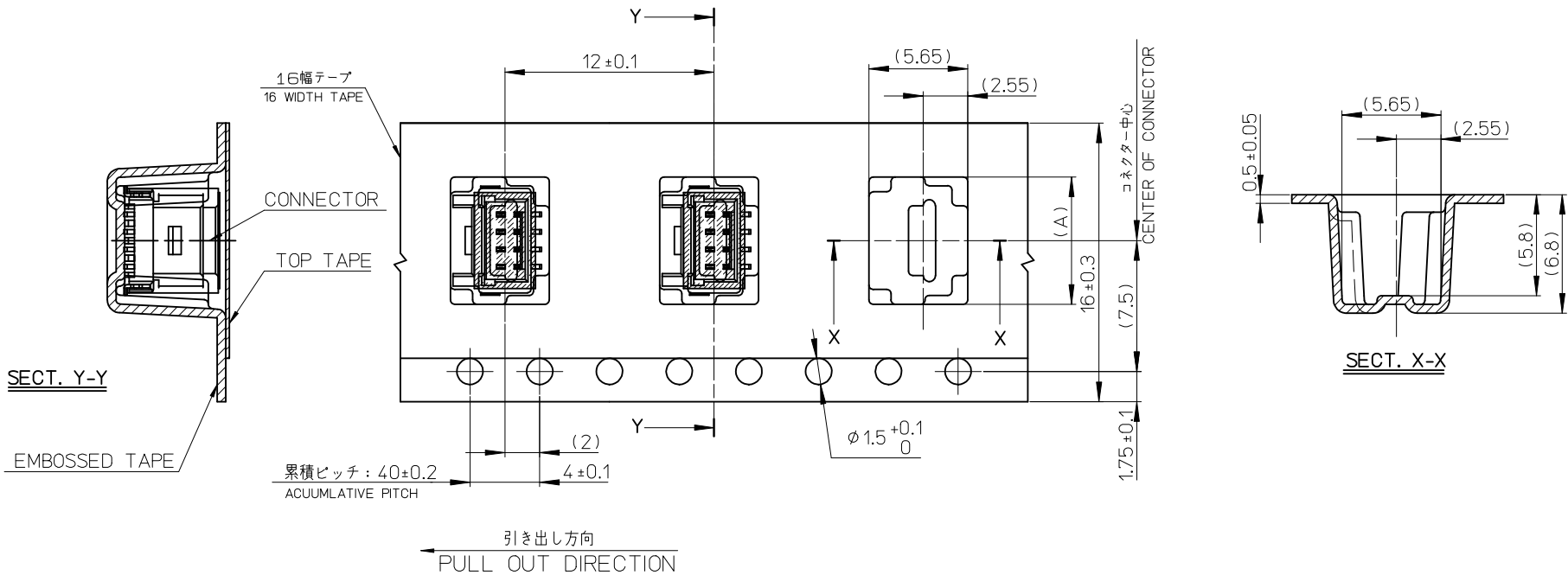


4. 材料  
MATERIAL  
キャリアテープ：ポリスチレン  
CARRIER TAPE : POLYSTYRENE  
トップテープ：PET、その他  
TOP TAPE : PET, OTHER  
リール：ポリスチレン<リサイクル材を含む>  
REEL : POLYSTYRENE <RECYCLE MATERIAL CONTAINED >

5. ハイバリア梱包 (シリカゲル入り) 対応品である。(501940-\*\*07除く)  
THIS PRODUCT IS HIGH BARRIER PACKAGE.(WITH SILICAGEL)  
(BESIDES 501940-\*\*07)
6. 開梱後の保管条件に注意のこと。(ハイバリア品対象：PS-501940-001参照)  
REFER TO PS-501940-001(HIGH BARRIER PRODUCT)  
FOR CONDITIONS AFTER OPEN.



REVISED EC NO: J2010-0339 DRWN: TAKAGAWA01 2009/09/01 CHKD: MATSUMOTO 2009/09/01 APPR: HIRATA 2009/09/01	GENERAL TOLERANCES (UNLESS SPECIFIED)		DIMENSION STYLE MM ONLY		SCALE ---	DESIGN UNITS METRIC	THIRD ANGLE PROJECTION
	10 UNDER	±0.2	DRAWN BY NYOSHIDA	DATE 2005/09/16	TITLE 1.0 WIRE TO BOARD CONN. WAFER ASS'Y 1-ROW ST EMBSTP PKG -LEAD FREE-		
	10 OVER 30 UNDER	±0.25	CHECKED BY AMIZUMURA	DATE 2005/09/16	MOLEX INCORPORATED		
	30 OVER	±0.3	APPROVED BY MYAGI	DATE 2005/09/16	DOCUMENT NO. SD-501940-002		
	ANGULAR ±3 °		MATERIAL NO. SEE SHEET 3		SHEET NO. 1 OF 3		
	DRAFT WHERE APPLICABLE MUST REMAIN WITHIN DIMENSIONS	SIZE A3	THIS DRAWING CONTAINS INFORMATION THAT IS PROPRIETARY TO MOLEX INCORPORATED AND SHOULD NOT BE USED WITHOUT WRITTEN PERMISSION				



8.3	5
7.3	4
6.3	3
(A)	極数 CIRCUITS

REVISED EC NO: J2010-0339 DRWN: TAKAGAWA01 2009/09/01 CHKD: MATSUMOTO 2009/09/01 APPR: HIRATA 2009/09/01	GENERAL TOLERANCES (UNLESS SPECIFIED)		DIMENSION STYLE MM ONLY		CONNECTOR SERIES No. 501940-***9		
	10 UNDER	± 0.2	DRAWN BY	DATE	SCALE	DESIGN UNITS	
	10 OVER 30 UNDER	± 0.25	NYOSHIDA	2005/09/16	---	METRIC	
	30 OVER	± 0.3	CHECKED BY	DATE	THIRD ANGLE PROJECTION		
	ANGULAR ± 3 °	AMIZUMURA	2005/09/16	TITLE			
	DRAFT WHERE APPLICABLE MUST REMAIN WITHIN DIMENSIONS	APPROVED BY	DATE	1.0 WIRE TO BOARD CONN. WAFER ASS'Y 1-ROW ST EMBSTP PKG -LEAD FREE-			
		MYAGI	2005/09/16	MOLEX INCORPORATED			
		MATERIAL NO.		DOCUMENT NO.		SHEET NO.	
		SEE SHEET 3		SD-501940-002		2 OF 3	
		SIZE A3	THIS DRAWING CONTAINS INFORMATION THAT IS PROPRIETARY TO MOLEX INCORPORATED AND SHOULD NOT BE USED WITHOUT WRITTEN PERMISSION				

10 9 8 7 6 5 4 3 2 1

紫 VIOLET	橙 ORANGE	茶 BROWN	緑 GREEN	色 COLOR
501940-0597	501940-0587	501940-0577	501940-0567	5
501940-0497	501940-0487	501940-0477	501940-0467	4
501940-0397	501940-0387	501940-0377	501940-0367	3
EMBOSSSED PACKAGE	EMBOSSSED PACKAGE	EMBOSSSED PACKAGE	EMBOSSSED PACKAGE	極数
オーダー番号 ORDER NO.	オーダー番号 ORDER NO.	オーダー番号 ORDER NO.	オーダー番号 ORDER NO.	CIRCUITS

CONNECTOR SERIES No. 501940-\*\*\*9

青 BLUE	黄 YELLOW	赤 RED	黒 BLACK	自然色 NATURAL	色 COLOR
501940-0547	501940-0537	501940-0527		501940-0507	5
501940-0447	501940-0437	501940-0427	501940-0417	501940-0407	4
501940-0347	501940-0337	501940-0327	501940-0317	501940-0307	3
EMBOSSSED PACKAGE	EMBOSSSED PACKAGE	EMBOSSSED PACKAGE	EMBOSSSED PACKAGE	EMBOSSSED PACKAGE	極数
オーダー番号 ORDER NO.	オーダー番号 ORDER NO.	オーダー番号 ORDER NO.	オーダー番号 ORDER NO.	オーダー番号 ORDER NO.	CIRCUITS

CONNECTOR SERIES No. 501940-\*\*\*9

REVISED EC NO: J2010-0339 DRWN: TAKAGAWA01 2009/09/01 CHKD: MATSUMOTO 2009/09/01 APPR: HIRATA 2009/09/01	DESCRIPTION	GENERAL TOLERANCES (UNLESS SPECIFIED)		DIMENSION STYLE MM ONLY		SCALE 10:1	DESIGN UNITS METRIC	THIRD ANGLE PROJECTION	
		10 UNDER	±0.2	DRAWN BY NYOSHIDA	DATE 2005/09/16	TITLE 1.0 WIRE TO BOARD CONN. WAFER ASS'Y 1-ROW ST POSI-LOCK -LEAD FREE- MOLEX INCORPORATED			
		10 OVER 30 UNDER	±0.25	CHECKED BY AMIZUMURA	DATE 2005/09/16				
		30 OVER	±0.3	APPROVED BY MYAGI	DATE 2005/09/16				
		ANGULAR ±3 °		MATERIAL NO.	SEE TABLE	DOCUMENT NO.	SD-501940-002	SHEET NO.	3 OF 3
		DRAFT WHERE APPLICABLE MUST REMAIN WITHIN DIMENSIONS		SIZE A3	THIS DRAWING CONTAINS INFORMATION THAT IS PROPRIETARY TO MOLEX INCORPORATED AND SHOULD NOT BE USED WITHOUT WRITTEN PERMISSION				