

10 9 8 7 6 5 4 3 2 1

F

E

D

C

B

A

F

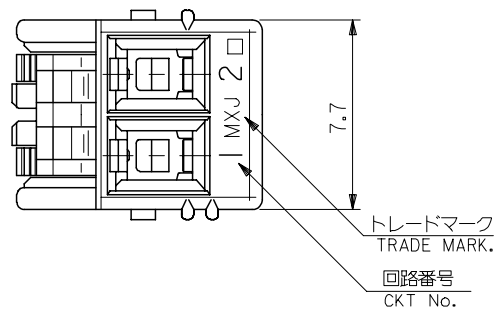
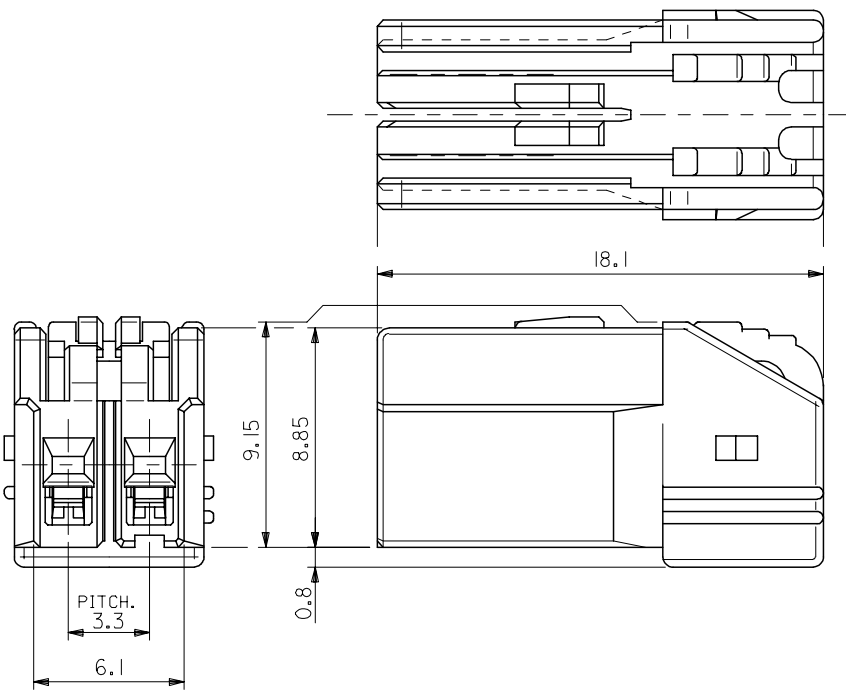
E

D

C

B

A

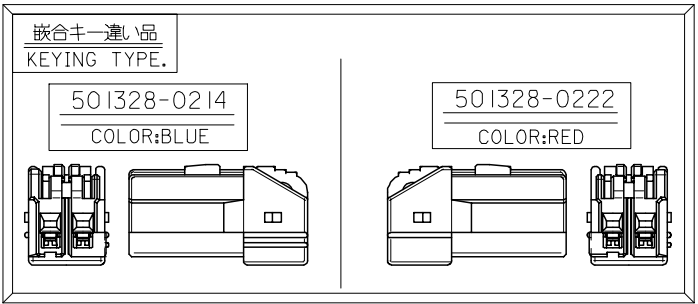
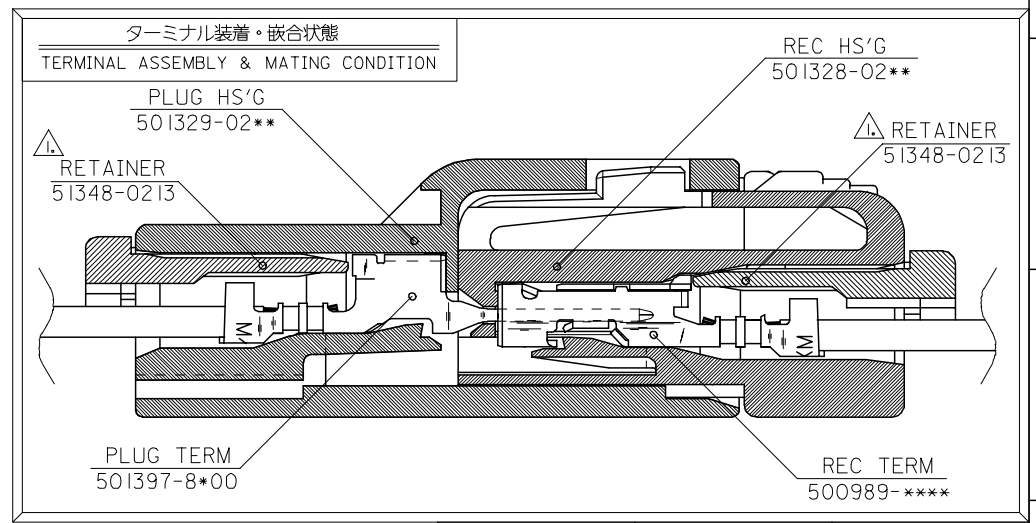


注記  
NOTES.

△ 適合リテーナ : 51348-0213  
APPLICABLE RETAINER  
詳細は SD-51348-001 を参照下さい。  
REFERENCE:SD-51348-001

2. 材料 : NYLON66,UL94V-0  
MATERIAL

本形状は 501328-0200 を示す。  
SHAPE OF 501328-0200



BLUE	501328-0214	
RED	501328-0222	501328-02**
WHITE	501328-0200	
COLOR	MATERIAL No.	MODEL No.

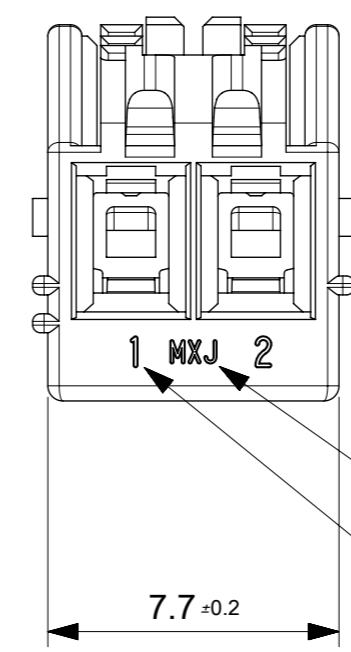
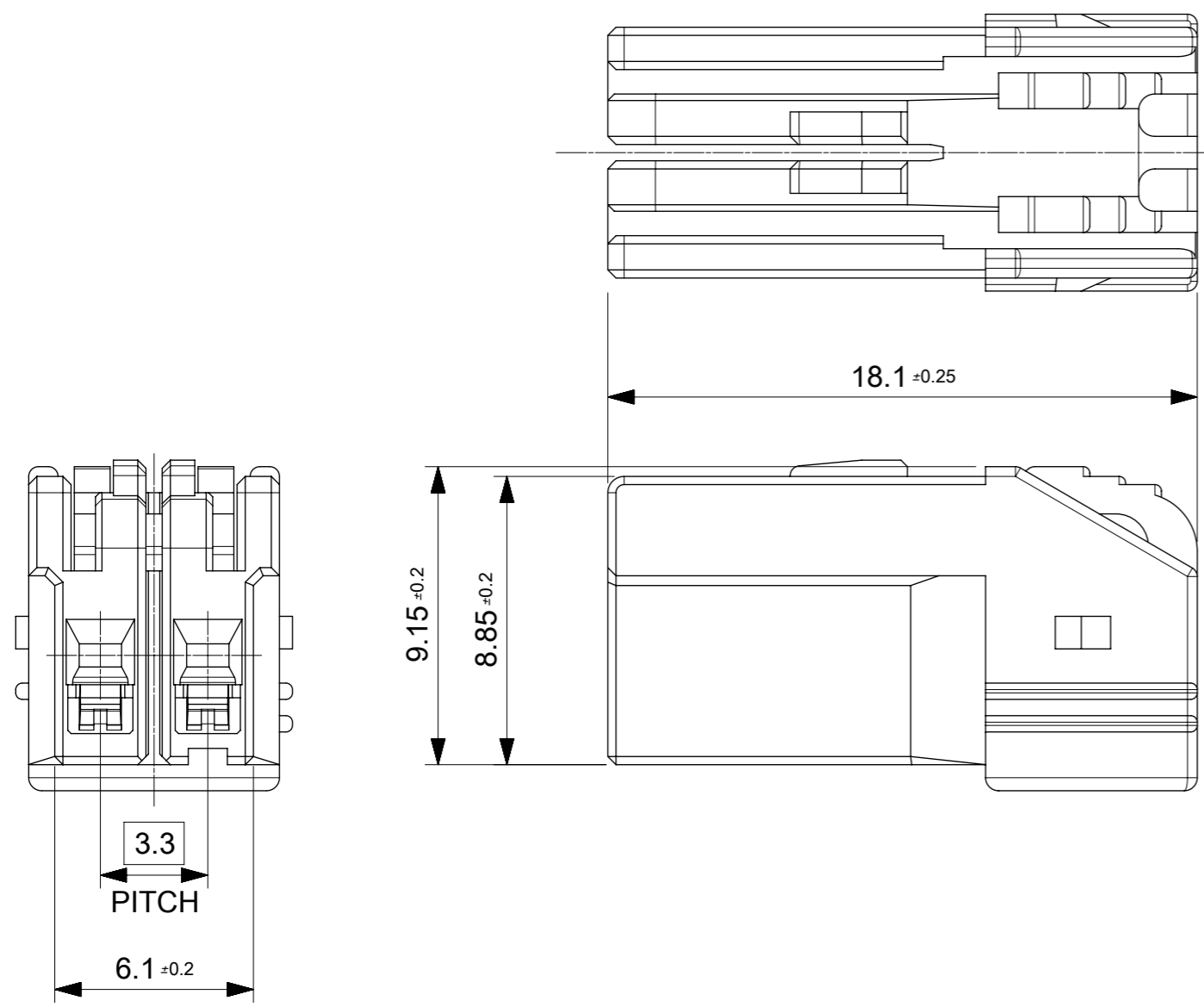
RELEASED EC NO: J2005-2177 DRWN:TODA CHKD:KASAKAWA APPR:SICHIKAWA 2005/03/31 2005/03/31 2005/03/31	GENERAL TOLERANCES (UNLESS SPECIFIED)		DIMENSION STYLE MM ONLY		SCALE 5:1	DESIGN UNITS METRIC	THIRD ANGLE PROJECTION
	10 UNDER	±0.2	DRAWN BY T.ODA		DATE '04/09/30	TITLE 3.3 W/W INERTIA LOCK CONN REC 2CKT	
	10 OVER 30 UNDER	±0.25	CHECKED BY K.ASAKAWA		DATE '04/09/30	MOLEX INCORPORATED DOCUMENT NO. SD-501328-001 SHEET NO. 1 OF 1	
	30 OVER	±0.3	APPROVED BY S.ICHIKAWA		DATE '04/09/30		
ANGULAR ±3 °		DRAFT WHERE APPLICABLE MUST REMAIN WITHIN DIMENSIONS		MATERIAL NO. SEE CHART			
SIZE A3		THIS DRAWING CONTAINS INFORMATION THAT IS PROPRIETARY TO MOLEX INCORPORATED AND SHOULD NOT BE USED WITHOUT WRITTEN PERMISSION					

本形状は5013280200を示す。  
SHAPE OF 5013280200

注記

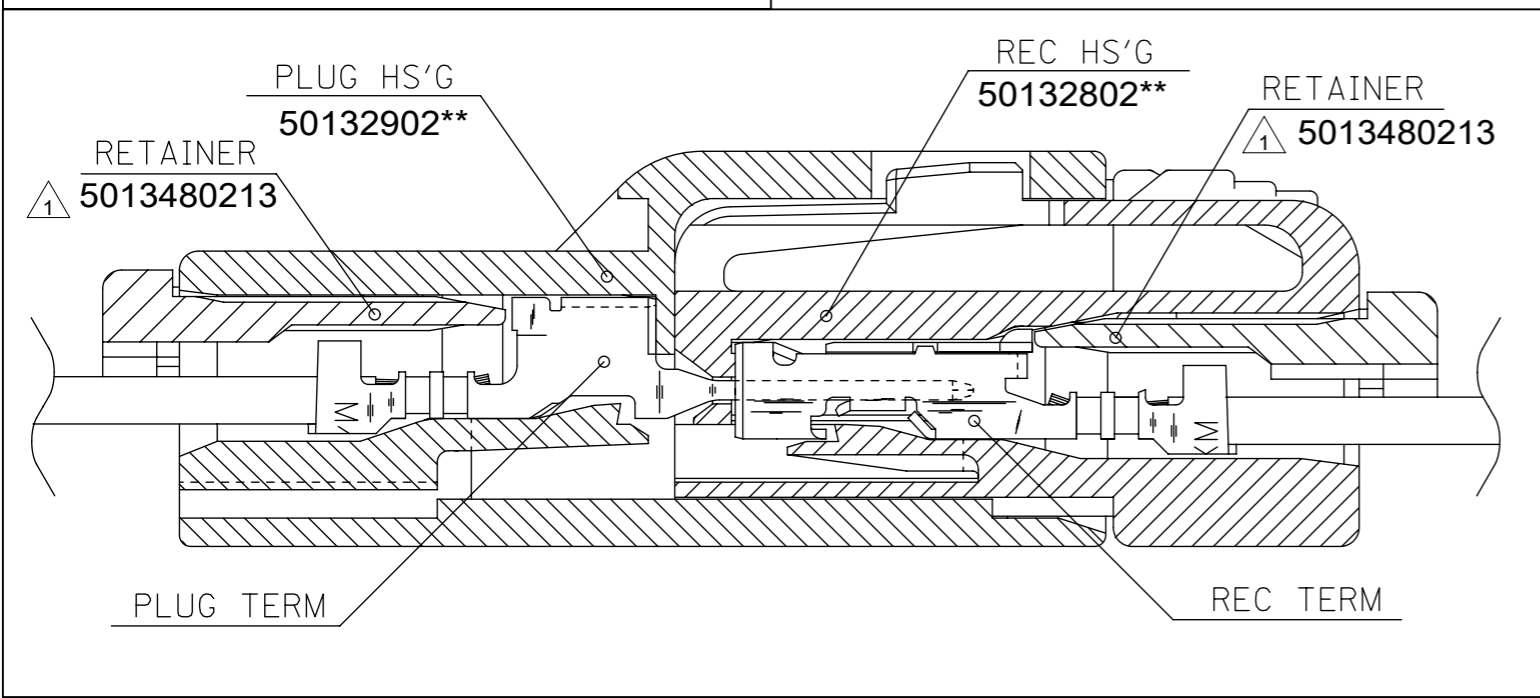
NOTES.

- △1 適合リテーナー : 513480213  
APPLICABLE RETAINER  
詳細はSD-51348-001を参照下さい  
REFERENCE:SD-51348-001
- 2.材料 : PA66,UL94V-0  
MATERIAL



トレードマーク  
TRADE MARK.  
回路番号  
CKT No.

ターミナル装着・嵌合状態  
TERMINAL ASSEMBLY & MATING CONDITION



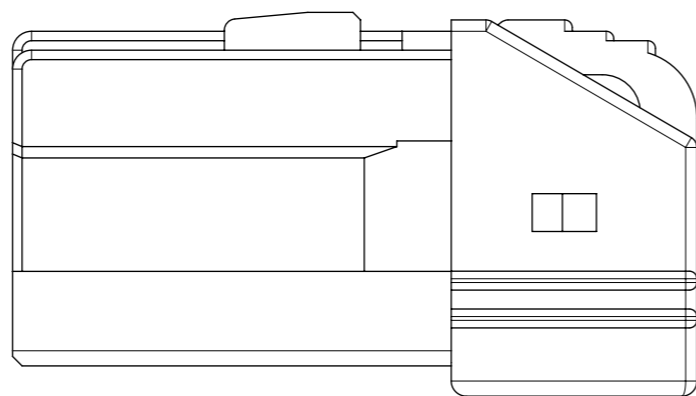
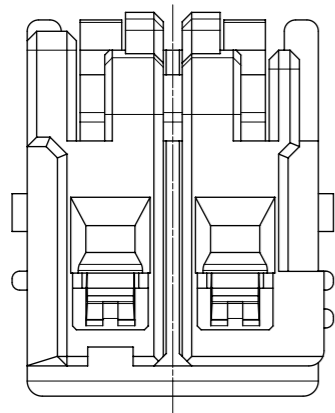
BLACK	5013280231	50132802**
RED	5013280222	
BLUE	5013280214	
WHITE	5013280200	
COLOR	BAG PACKAGE オーダー番号 ORDER No.	MODEL No.

THIS DRAWING CONTAINS INFORMATION THAT IS PROPRIETARY TO MOLEX ELECTRONIC TECHNOLOGIES, LLC AND SHOULD NOT BE USED WITHOUT WRITTEN PERMISSION

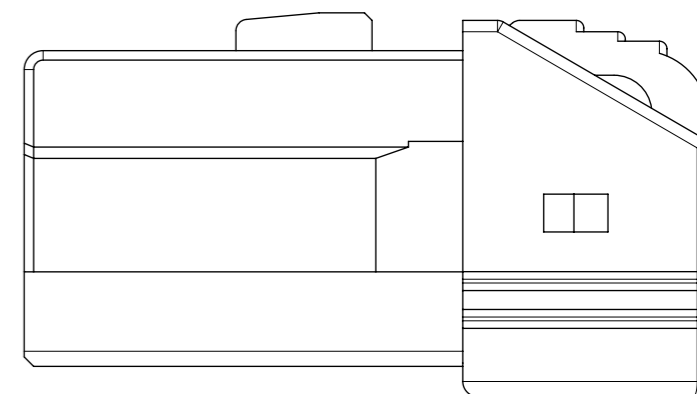
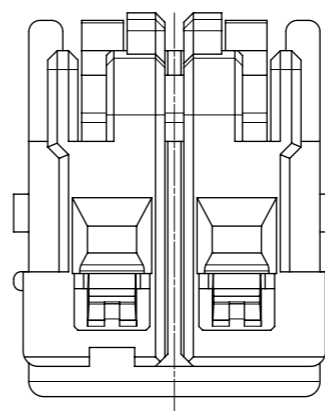
EC NO: 109842 DRWN: KYAMADA02 CHK'D: SAKIYAMA APPR: TKANEKO	2016/09/30 2016/10/28 2016/10/28	GENERAL TOLERANCES (UNLESS SPECIFIED) ANGULAR TOL ± 3.0 ° 4 PLACES ± 0.2 3 PLACES ± 0.2 2 PLACES ± 0.2 1 PLACE ± 0.25 0 PLACES ± 0.3	DIMENSION UNITS: MM SCALE: 5:1 DRWN BY: KYAMADA02 DATE: 2016/09/30 CHK'D BY: SAKIYAMA DATE: 2016/10/28 APPR BY: TKANEKO DATE: 2016/10/28		
	DRAFT WHERE APPLICABLE MUST REMAIN WITHIN DIMENSIONS		DRAWING SIZE: A3 THIRD ANGLE PROJECTION		3.3 W/W SINGLE ROW RECEPTACLE HOUSING
			PRODUCT CUSTOMER DRAWING		SERIES: 501328 MATERIAL NUMBER: [blank] CUSTOMER: GENERAL MARKET
	RELEASE STATUS: P1 RELEASE DATE: 28.10.2016 10:49:39				DOCUMENT NUMBER: 5013282020 DOC TYPE: PSD DOC PART: 000 SHEET NUMBER: 1 OF 2

嵌合キー違い品  
KEYING TYPE.

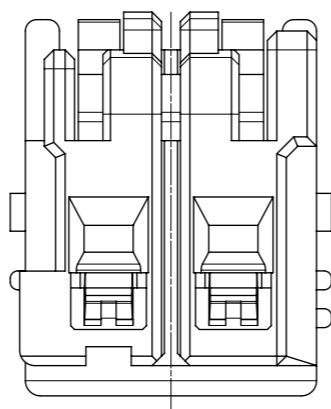
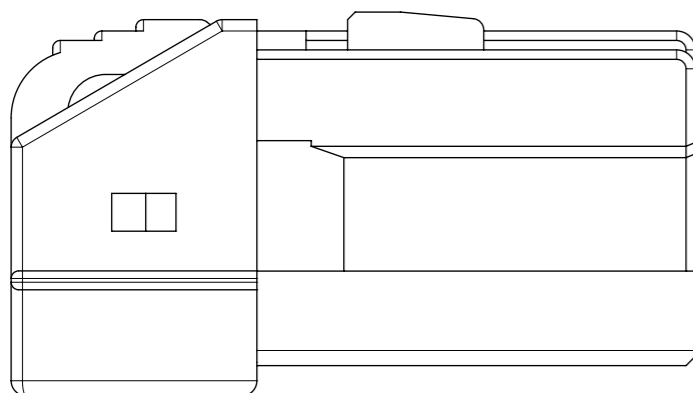
5013280214  
COLOR:BLUE



5013280231  
COLOR:BLACK



5013280222  
COLOR:RED



THIS DRAWING CONTAINS INFORMATION THAT IS PROPRIETARY TO MOLEX ELECTRONIC TECHNOLOGIES, LLC AND SHOULD NOT BE USED WITHOUT WRITTEN PERMISSION

EC NO: 109842 DRWN: KYAMADA02 CHK'D: SAKIYAMA APPR: TKANEKO	2016/09/30	GENERAL TOLERANCES (UNLESS SPECIFIED)		DIMENSION UNITS	SCALE				
	2016/10/28	ANGULAR TOL ± 3.0 °		MM	5:1				
	2016/10/28	4 PLACES ± 0.2	DRWN BY	DATE		3.3 W/W SINGLE ROW RECEPTACLE HOUSING			
		3 PLACES ± 0.2	KYAMADA02	2016/09/30					
		2 PLACES ± 0.2	CHK'D BY	DATE					
	1 PLACE ± 0.25	SAKIYAMA	2016/10/28		PRODUCT CUSTOMER DRAWING				
	0 PLACES ± 0.3	APPR BY	DATE						
		TKANEKO	2016/10/28		SERIES	MATERIAL NUMBER	CUSTOMER		
			DRAWING SIZE	THIRD ANGLE PROJECTION	501328		GENERAL MARKET		
			A3		DOCUMENT NUMBER	DOC TYPE	DOC PART	SHEET NUMBER	
					5013282020	PSD	000	2 OF 2	