

485016-1 ✓ ACTIVE



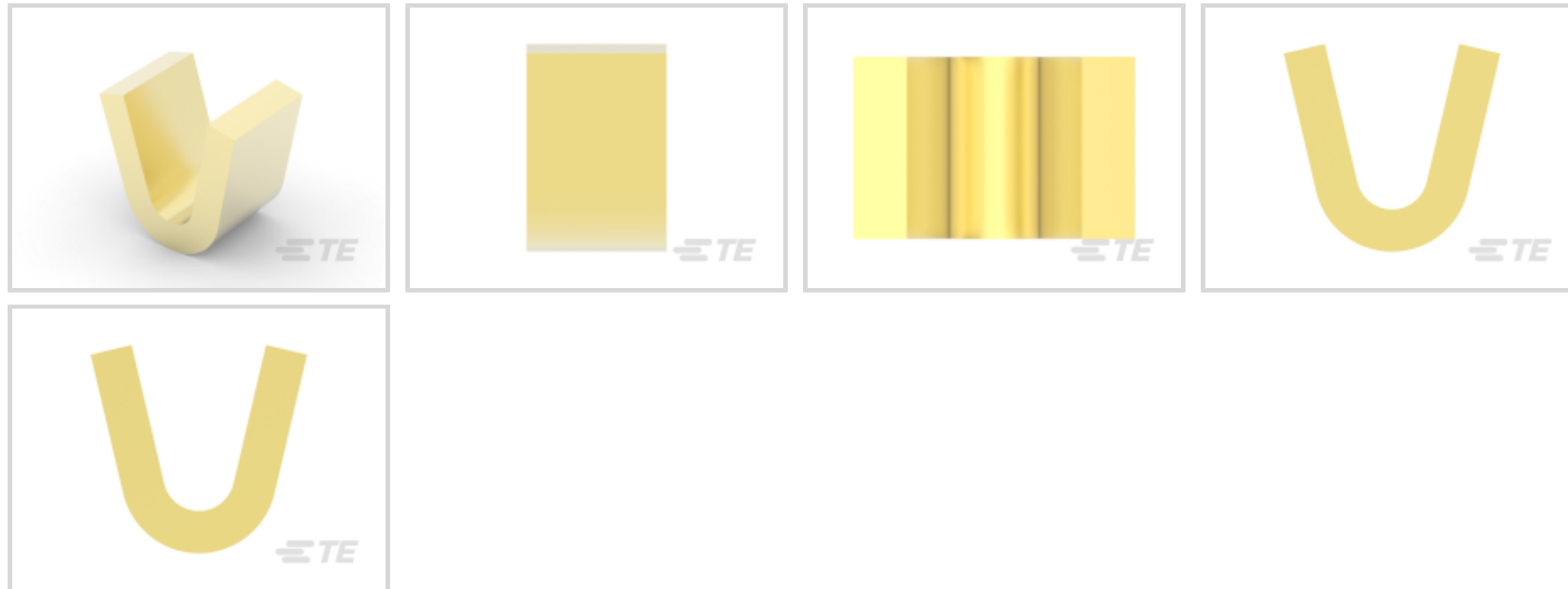
SPLICE

TE Internal #: 485016-1

Splices, 500 – 2200 CMA Wire Size, Brass, Thru Splice / Pigtail
Splice Splice, Serrated, 2 Serration, Length .1 in [2.54 mm], Reel,
Open, SPLICE

[View on TE.com >](#)

Terminals & Splices > Splices



Sealable: **No**

Wire Size: **500 – 2200 CMA**

Primary Product Material: **Brass**

Splice Type: **Pigtail Splice, Thru Splice**

Terminal Material Thickness: **.76 mm [.03 in]**

Features

Product Type Features

Barrel Style	Standard
Sealable	No
Splice Type	Pigtail Splice, Thru Splice
Serrated	Yes
Compatible With Discrete Wire Type	Solid, Stranded
Wire Insulation Support Retention Type	Non-Insulation Support

Configuration Features

Number of Serrations	2
Compatible With Wire & Cable Type	Discrete Wire

Body Features

Weight per Piece	.12 g
Plating Material	Unplated
Primary Product Material	Brass

Contact Features



Barrel Type	Open
-------------	------

Mechanical Attachment

Wire Insulation Support	Without
-------------------------	---------

Dimensions

Wire Size	500 – 2200 CMA
Terminal Material Thickness	.76 mm[.03 in]
Overall Product Length	2.54 mm[.1 in]

Usage Conditions

Insulation Option	Uninsulated
Operating Temperature Range	-40 – 110 °C[-40 – 230 °F]

Operation/Application

Heavy Duty	No
Compatible With Wire Base Material	Copper

Industry Standards

Government Qualified Splice	No
-----------------------------	----

Packaging Features

Packaging Quantity	25000
Packaging Method	Reel

Product Compliance

[For compliance documentation, visit the product page on TE.com>](#)

EU RoHS Directive 2011/65/EU	Compliant
EU ELV Directive 2000/53/EC	Compliant
China RoHS 2 Directive MIIT Order No 32, 2016	No Restricted Materials Above Threshold
EU REACH Regulation (EC) No. 1907/2006	Current ECHA Candidate List: JUNE 2022 (224) Candidate List Declared Against: JAN 2022 (223) SVHC > Threshold: Not Yet Reviewed
Halogen Content	Low Halogen - Br, Cl, F, I < 900 ppm per homogenous material. Also BFR/CFR/PVC Free
Solder Process Capability	Not applicable for solder process capability

Product Compliance Disclaimer

This information is provided based on reasonable inquiry of our suppliers and represents our current actual knowledge based on the information they provided. This information is subject to change. The part numbers that TE has identified as EU RoHS compliant have a maximum concentration of 0.1% by weight in homogenous materials for lead, hexavalent chromium, mercury, PBB, PBDE, DBP, BBP, DEHP, DIBP, and 0.01% for cadmium, or qualify for an exemption to these limits as defined in the Annexes of Directive 2011/65/EU (RoHS2). Finished electrical and electronic equipment products will be CE marked as required by Directive 2011/65/EU. Components may not be CE marked. Additionally, the part numbers that TE has identified as EU ELV compliant have a maximum concentration of 0.1% by weight in homogenous materials for lead, hexavalent chromium, and mercury, and 0.01% for cadmium, or qualify for an exemption to these limits as defined in the Annexes of Directive 2000/53/EC (ELV). Regarding the REACH Regulation, the information TE provides on SVHC in articles for this part number is based on the latest European Chemicals Agency (ECHA) 'Guidance on requirements for substances in articles' posted at this URL: <https://echa.europa.eu/guidance-documents/guidance-on-reach>

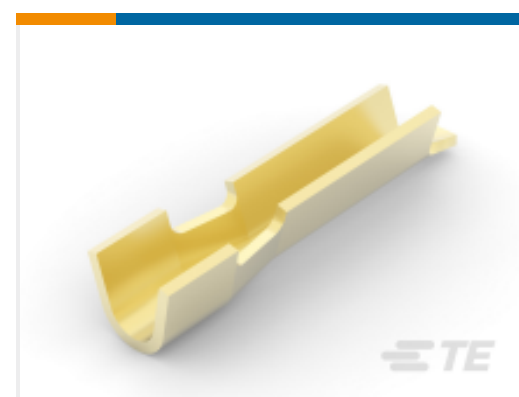
Compatible Parts



TE Part # 62759-1
SPLICE 400-1300 .016 BR



TE Part # 62754-1
SPLICE 14000-30000 .030 BR



TE Part # 62382-1
SPLICE 25/26 .012 BR



TE Part # 2-2837808-1
OCEAN-2.0-APPLICATOR-S-110F



TE Part # 2-2837808-2
OCEAN-2.0-APPLICATOR-S-110F



TE Part # 2837808-1
OCEAN-2.0-APPLICATOR-S-110F



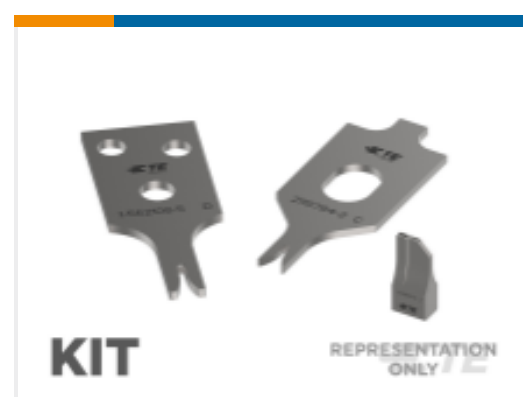
TE Part # 2837808-2
OCEAN-2.0-APPLICATOR-S-110F



TE Part # 7-2837808-1
OCEAN-2.0-APPLICATOR-S-110F



TE Part # 7-2837808-2
OCEAN-2.0-APPLICATOR-S-110F



TE Part # 7-2837808-7
OCEAN_2.0_SPARE_PART_KIT-110F

Also in the Series | SPLICE



Crimp Wire Pins, Tabs & Ferrules(1)



Splices(65)

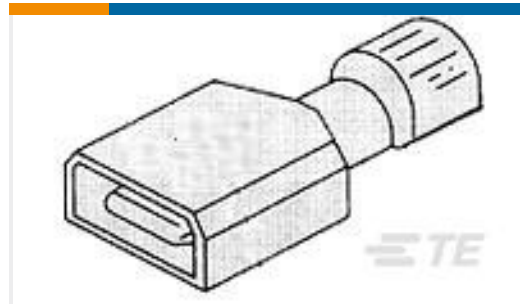
Customers Also Bought



TE Part #206305-1
CPC PLUG ASSEMBLY SIZE 23-37



TE Part #1-480702-0
04P UMNL PLUG HSG NATL



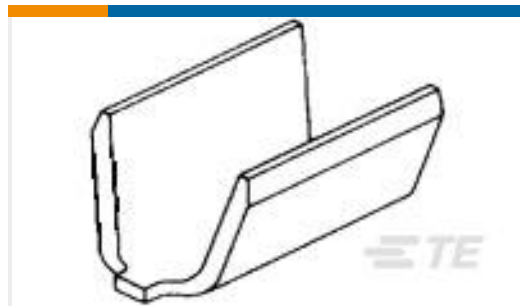
TE Part #2-520102-2
ULTRA-FAST 250 ASSEMBLY TAB 22-18 AWG BR



TE Part #61412-1
SHUR PLUG 180 RECEPTACLE 18-14 AWG BR



TE Part #63130-2
SPLICE REC. 1500-5000 .020 BR



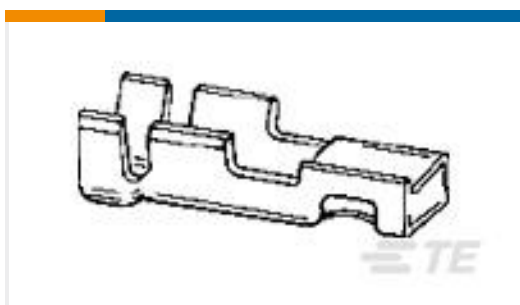
TE Part #60997-1
SPLICE 12000-18000 .025 BR



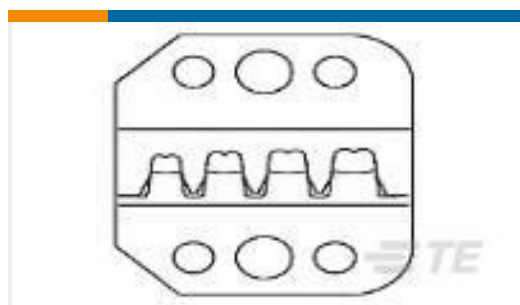
TE Part #6-2176389-9
RQ 1206 549R 0.1% 10PPM 5K RL



TE Part #40868
SPLICE 2500-4700 CMA TPBR



TE Part #925667-2
AM WIRE PIN 22-18 .013 PTPB



TE Part #90652-2
PROCRIMPER DIE ASSY MULTILOCK

Documents

Product Drawings

[SPLICE 500-2200 .030 BR](#)

English

CAD Files

[3D PDF](#)

[3D](#)

Customer View Model

[ENG_CVM_CVM_485016-1_G_c-485016-1-g.2d_dxf.zip](#)



English

Customer View Model

[ENG_CVM_CVM_485016-1_G_c-485016-1-g.3d_igs.zip](#)

English

Customer View Model

[ENG_CVM_CVM_485016-1_G_c-485016-1-g.3d_stp.zip](#)

English

By downloading the CAD file I accept and agree to the [Terms and Conditions](#) of use.

Product Specifications

Application Specification

English

Product Environmental Compliance

[MD_485016-1_081220152233_dmtec](#)

English

[MD_485016-1_081220152233_dmtec](#)

English