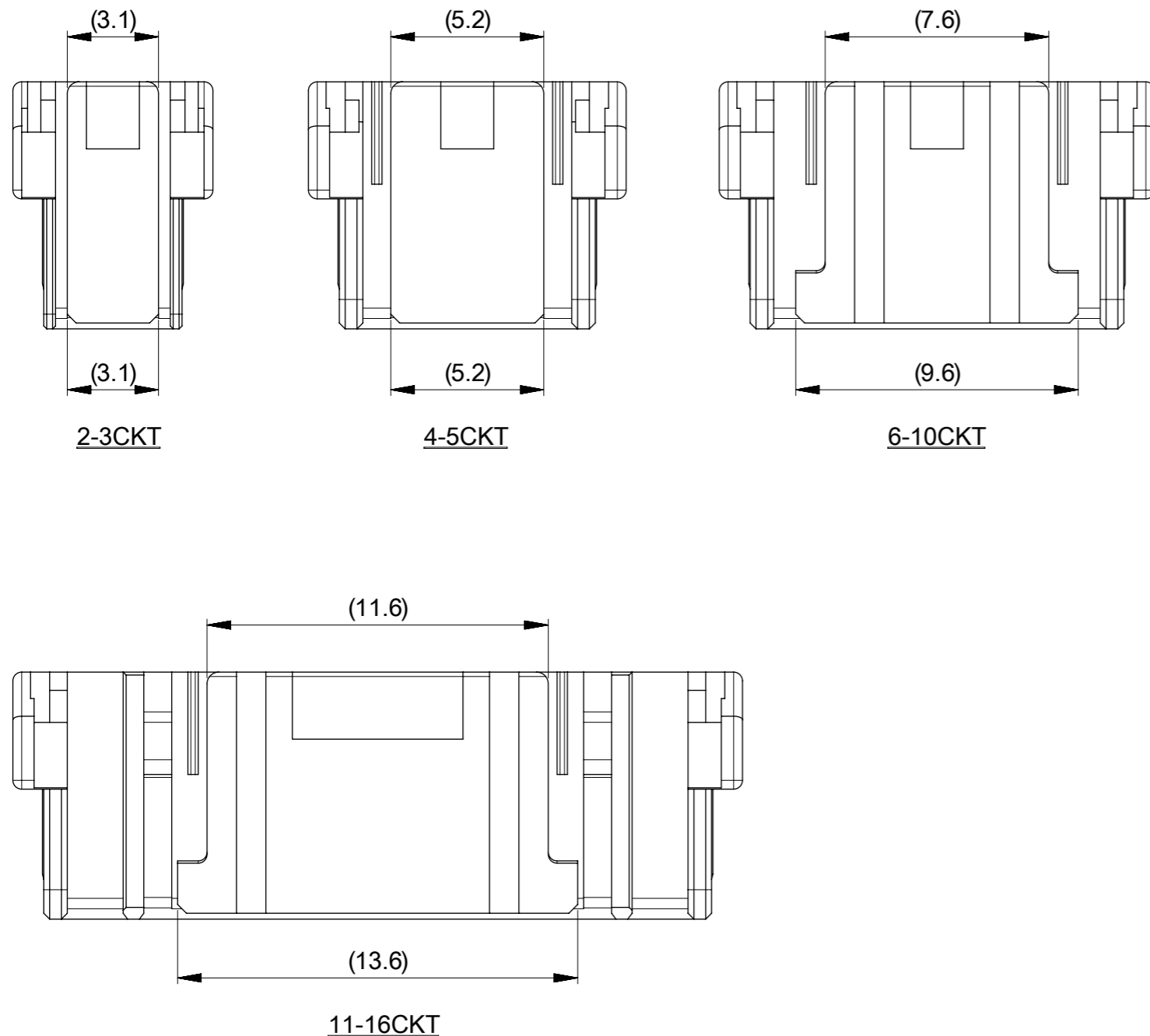


32.7	34.8	5055701601	5055701600	16
30.7	32.8	5055701501	5055701500	15
28.7	30.8	5055701401	5055701400	14
26.7	28.8	5055701301	5055701300	13
24.7	26.8	5055701201	5055701200	12
22.7	24.8	5055701101	5055701100	11
20.7	22.8	5055701001	5055701000	10
18.7	20.8	5055700901	5055700900	9
16.7	18.8	5055700801	5055700800	8
14.7	16.8	5055700701	5055700700	7
12.7	14.8	5055700601	5055700600	6
10.7	12.8	5055700501	5055700500	5
8.7	10.8	5055700401	5055700400	4
6.7	8.8	5055700301	5055700300	3
4.7	6.8	5055700201	5055700200	2
B	A	BLACK	NATURAL	CIRCUIT
		ORDER NO.		

THIS DRAWING CONTAINS INFORMATION THAT IS PROPRIETARY TO MOLEX ELECTRONIC TECHNOLOGIES, LLC AND SHOULD NOT BE USED WITHOUT WRITTEN PERMISSION

EC NO: 103734 DRWN: TENAGASE CHK'D: KOMURAKAMI APPR: TKANEKO 2016/03/29 2016/04/12 2016/04/18	GENERAL TOLERANCES (UNLESS SPECIFIED)		DIMENSION UNITS	SCALE	
	ANGULAR TOL ± 3.0 °		MM	5:1	
	4 PLACES ±	TENAGASE	DATE	2016/03/29	
	3 PLACES ±	KOMURAKAMI	DATE	2016/04/12	
	2 PLACES ±	TKANEKO	DATE	2016/04/18	
1 PLACE ± 0.2	DRAFT WHERE APPLICABLE MUST REMAIN WITHIN DIMENSIONS		DRAWING SIZE	THIRD ANGLE PROJECTION	
0 PLACES ± 0.2	A3			SERIES: 505570 MATERIAL NUMBER: SEE CHART CUSTOMER: GENERAL	
RELEASED	DOCUMENT NUMBER: 5055700001	DOC TYPE: PSD	DOC PART: 000	SHEET NUMBER: 1 OF 2	PRODUCT CUSTOMER DRAWING

ロック形状  
LOCK FORM



NOTE

1. 適合ターミナルシリーズ : 505572シリーズ  
APPLICABLE TERMINAL : 505572 SERIES

2. 嵌合相手 : 505575,505578シリーズ  
MATE WITH : 505575,505578 SERIES

3. 偶数極に適用。  
APPLY FOR EVEN CIRCUIT.

4. トレードマーク : MXLにて表示。  
キャビティー番号 : 1桁から2桁の数字にて表示。 金型番号 : アルファベット1文字にて表示。  
TRADE MARK IS FORMED BY MXL.  
AND BY 1-2 DIGIT NUMBER (TO CAVITY No.)  
AND BY LETTER OD ALPHABET (TO MOLD No.)

5. 本製品のプラスチック部に黒点等が確認される場合や、色合いが異なる場合が御座いますが、製品性能に影響は御座いません。  
THERE IS NO INFLUENCE IN THE PRODUCT PERFORMANCE THOUGH THE BLACK SPOT ETC.  
MIGHT BE CONFIRMED TO THE PLAXTIC PART OF THIS PRODUCT AND THE SHADE MIGHT BE DIFFERENT.

6. 製品の取扱いについては、コネクタ取扱説明書(AS-5055700001-000)を参照願います。  
PLEASE REFER TO INSTRUCTION MANUAL(AS-5055700001-000).

7. ELV及びRoHS適合品  
ELV AND RoHS COMPLIANT.

THIS DRAWING CONTAINS INFORMATION THAT IS PROPRIETARY TO MOLEX ELECTRONIC TECHNOLOGIES, LLC AND SHOULD NOT BE USED WITHOUT WRITTEN PERMISSION

EC NO: 103734 DRWN: TENAGASE CHK'D: KOMURAKAMI APPR: TKANEKO	2016/03/29	GENERAL TOLERANCES (UNLESS SPECIFIED)		DIMENSION UNITS	SCALE					
	2016/04/12	ANGULAR TOL ± 3.0 °		MM	5:1					
	2016/04/18	4 PLACES ±	DRWN BY		DATE		MICRO-LOCK PLUS 2.0MM PITCH WIRE TO BOARD REC. HOUSING			
		3 PLACES ±	TENAGASE		2016/03/29					
		2 PLACES ±	CHK'D BY		DATE					
	1 PLACE ± 0.2	KOMURAKAMI		2016/04/12		PRODUCT CUSTOMER DRAWING				
	0 PLACES ± 0.2	APPR BY		DATE						
		TKANEKO		2016/04/18		SERIES	MATERIAL NUMBER	CUSTOMER		
		DRAFT WHERE APPLICABLE MUST REMAIN WITHIN DIMENSIONS		DRAWING SIZE	THIRD ANGLE PROJECTION	505570	SEE CHART	GENERAL		
				A3		DOCUMENT NUMBER		DOC TYPE	DOC PART	SHEET NUMBER
						5055700001		PSD	000	2 OF 2