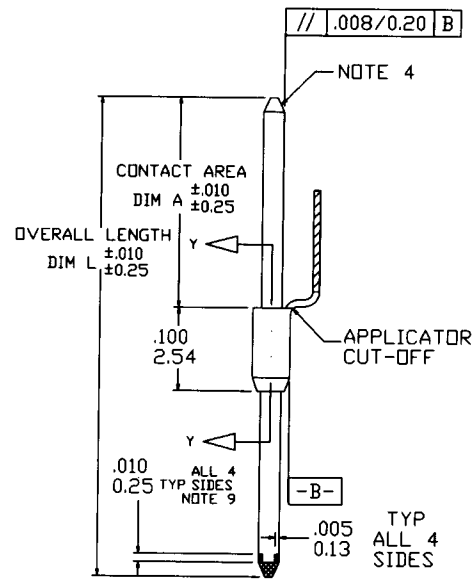
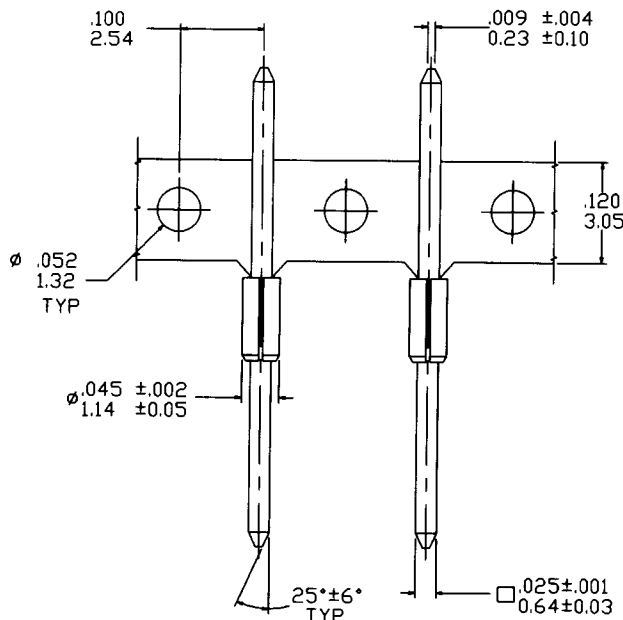


PRODUCT NUMBER
SEE TABLE

PLATING CODE	PLATING	UNDERPLATING
1	30u"/.76u Au	50u"/1.27u Ni
2	UNASSIGNED	
3	50u"/1.27u Au	50u"/1.27u Ni
4	120u"/3.05u 93/7 SnPb	50u"/1.27u Ni
5	30u"/.76u GXT™	50u"/1.27u Ni
6	15u"/.38u GXT™	50u"/1.27u Ni
7	UNASSIGNED	
8	UNASSIGNED	
9	15u"/.38u Au	50u"/1.27u Ni



- NOTES:
- MAT'L: POST, 3/4 HD. PHOS-BRONZE ASTM B-159-66 FERRULE, 1/2 HARD CARTRIDGE BRASS ASTM B-36-67.
 - CENTER LINE OF THE TERMINAL MUST BE IN TRUE POSITION IN RESPECT TO THE HOLE AXIS, WITHIN .015/0.38 DIA. AFTER INSERTION IN P.C. BOARD.
 - BURNISH MARKS PERMITTED ON PINS.
 - TWO SIDES OF LEAD-IN NOT PLATED. TYP BOTH ENDS.
 - .002/0.05 MAX. RADIUS (4X) ON WIRE WRAP PORTION OF THE POST.
 - POST TO FERRULE RETENTION 120 LBS/53.4 NS. MIN. BEFORE STAKING.
 - POST IS BONDED TO FERRULE BY REFLOWING.
 - .015/0.38 MAX SOLDER PERMISSIBLE ABOVE AND BELOW THE FERRULE ON THE SURFACE OF THE POST.
 - SOLDER SPOTS PERMISSIBLE IN SHADED AREA ONLY, BELOW FERRULE.

Tous droits strictement reserves. Reproduction ou communication a des tiers interdite sous quelque forme que ce soit sans autorisation écrite du propriétaire. Propriete de c FCI. Droits de reproduction FCI

All rights strictly reserved. Reproduction or issue to third parties in any form whatever is not permitted without written authority from the proprietor. Property of FCI. Copyright FCI



mat'l. code NOTE 1				tolerances unless otherwise specified			CUSTOMER COPY		Electronics FCI www.fciconnect.com	
ltr	ecn no	dr	date	linear	.XX±.01/.X±.3	projection	title			
EJ	V22753	JWB	7/21/92		.XXX±.005/.XX±.13		BERGPOST®			
EK	V60730	EPK	6/18/96	angles	.XXX±.0020/.XXX±.051		product family PIN PRODUCTS			
EL	V71494	HTB	10/24/97		0° ±2°	INCH/MM	size	dwg no		code
EM	V01594	JRW	7/11/00	dr	J.W. BARR 7/21/92	scale	A	47310		213
				engr	E. IORFIDO 7/21/92	5:1			sheet	
				chr	E. IORFIDO 7/21/92					1 of 5
				appd	E. IORFIDO 7/21/92					
sheet index	revision sheet	EM	EM	EM	EM	EM				
		1	2	3	4	5				

ACAD

PDM: Rev:EM

STATUS: Released

Printed: Apr 28, 2005

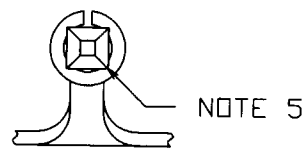
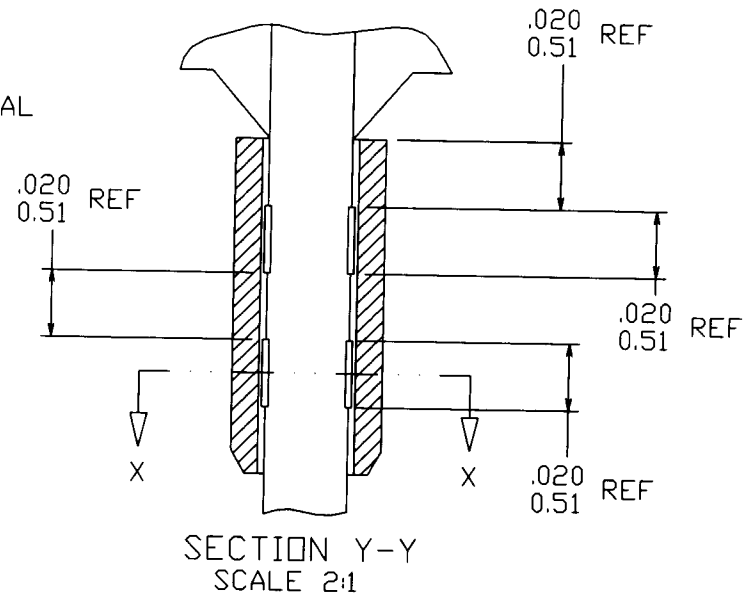
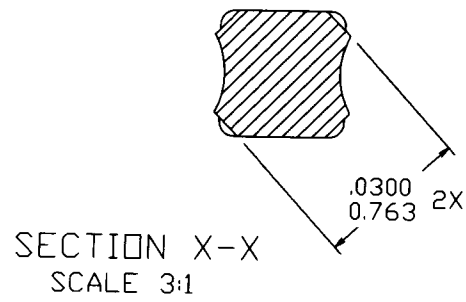
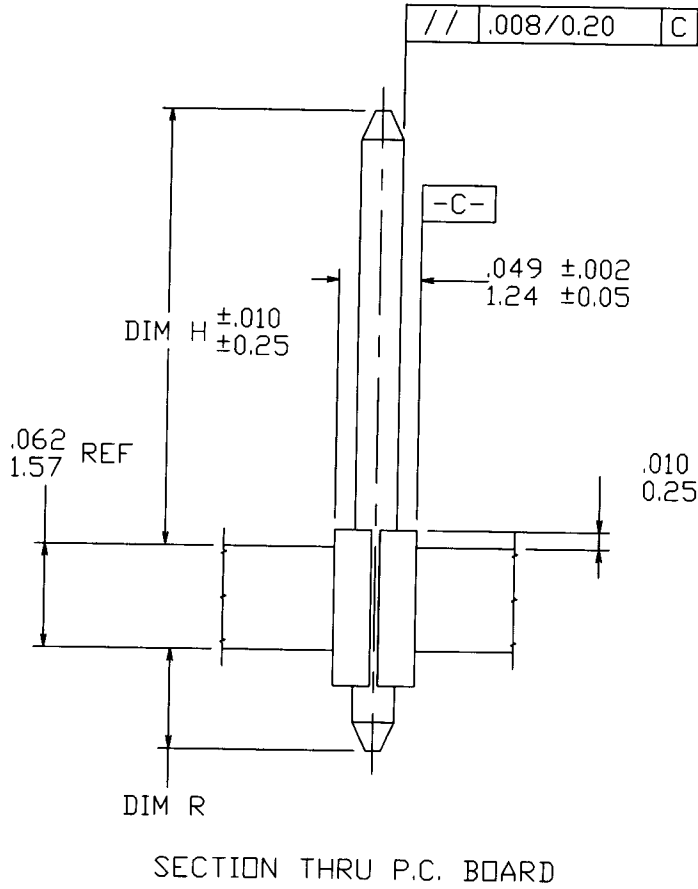
cage code
22526

Tous droits strictement reserves. Reproduction ou communication a des tiers interdite sous quelque forme que ce soit sans autorisation écrite du propriétaire. Propriete de c FCI. Droits de reproduction FCI.

All rights strictly reserved. Reproduction or issue to third parties in any form whatever is not permitted without written authority from the proprietor. Property of FCI. Copyright FCI.



PRODUCT NUMBER
SEE TABLE



mat'l. code				tolerances unless otherwise specified		CUSTOMER COPY		Electronics www.fciconnect.com			
ltr	ecn no	dr	date	linear	.XX±.01/.X±.3	projection		title			
EM					.XXX±.005/.XX±.13			BERGPOST®		product family PIN PRODUCTS	
					.XXXX±.0020/.XXX±.051			size		code	
				angles	0° ±2'	INCH/MM		213			
				dr	J.W. BAIR 7/21/92	scale		sheet			
				enr	E. IORFIDO 7/21/92	10:1		2 of			
				chr	E. IORFIDO 7/21/92	A		47310			
				appd	E. IORFIDO 7/21/92			2 of			
sheet index	revision sheet										

ACAD

PDM: Rev:EM

STATUS: Released

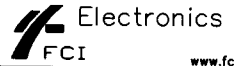
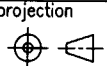
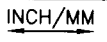
Printed: Apr 28, 2005

cage code
22526

Tous droits strictement réservés. Reproduction ou communication à des tiers interdite sous quelque forme que ce soit sans autorisation écrite du propriétaire. Propriété de c FCI. Droits de reproduction FCI.

All rights strictly reserved. Reproduction or issue to third parties in any form whatever is not permitted without written authority from the proprietor. Property of FCI. Copyright FCI.

PRODUCT NUMBER	CONTACT AREA				OVERALL LENGTH				PLATING CODE
	DIM A	DIM A	DIM H	DIM H	DIM L	DIM L	DIM R	DIM R	
	ENGLISH	METRIC	ENGLISH	METRIC	ENGLISH	METRIC	ENGLISH	METRIC	
47310-000	0.308	7.82	0.328	8.33	0.450	11.43	0.060	1.52	4
47311-000				SUPERSEDED BY 48124-000					
47312-000	0.698	17.73	0.718	18.24	0.840	21.34	0.060	1.52	4
47313-000	0.748	19.00	0.768	19.51	0.890	22.61	0.060	1.52	4
47314-000	0.558	14.17	0.578	14.68	1.210	30.73	0.570	14.48	4
47315-000	0.558	14.17	0.578	14.68	1.400	35.56	0.760	19.30	4
47316-000	0.698	17.73	0.718	18.24	1.485	37.72	0.705	17.91	4
47317-000	0.228	5.79	0.248	6.30	0.370	9.40	0.060	1.52	4
47318-000	0.558	14.17	0.578	14.68	0.880	22.35	0.240	6.10	4
47319-000	0.583	14.81	0.603	15.32	1.000	25.40	0.335	8.51	4
47330-000	0.308	7.82	0.328	8.33	0.450	11.43	0.060	1.52	1
47331-000				SUPERSEDED BY 48032-000					
47332-000	0.698	17.73	0.718	18.24	0.840	21.34	0.060	1.52	1
47333-000				SUPERSEDED BY 48021-000					
47334-000	0.558	14.17	0.578	14.68	1.210	30.73	0.570	14.48	1
47335-000	0.558	14.17	0.578	14.68	1.400	35.56	0.760	19.30	1
47336-000	0.698	17.73	0.718	18.24	0.485	12.32	0.705	17.91	1
47337-000	0.228	5.79	0.248	6.30	0.370	9.40	0.060	1.52	1
47338-000	0.558	14.17	0.578	14.68	0.880	22.35	0.240	6.10	1
47340-000	0.380	9.65	0.400	10.16	0.520	13.21	0.058	1.47	3
47341-000	0.520	13.21	0.540	13.72	0.662	16.81	0.060	1.52	3
47342-000	0.380	9.65	0.400	10.16	0.772	19.61	0.320	8.13	3
47343-000	0.520	13.21	0.540	13.72	0.912	23.16	0.320	8.13	3
47344-000	0.380	9.65	0.400	10.16	0.522	13.26	0.060	1.52	4
47345-000	0.520	13.21	0.540	13.72	0.662	16.81	0.060	1.52	4
47346-000	0.380	9.65	0.400	10.16	0.772	19.61	0.320	8.13	4
47347-000	0.520	13.21	0.540	13.72	0.912	23.16	0.320	8.13	4
47349-000	0.228	5.79	0.248	6.30	0.550	13.97	0.240	6.10	3
47350-000	0.323	8.20	0.343	8.71	0.463	11.76	0.058	1.47	3
47350-001	0.323	8.20	0.343	8.71	0.463	11.76	0.058	1.47	1
47351-000	0.573	14.55	0.593	15.06	0.715	18.16	0.060	1.52	3
47352-000	0.698	17.73	0.718	18.24	0.840	21.34	0.060	1.52	3
47353-000	0.763	19.38	0.783	19.89	0.905	22.99	0.060	1.52	3
47354-000	0.573	14.55	0.593	15.06	1.240	31.50	0.585	14.86	3
47355-000	0.573	14.55	0.593	15.06	1.430	36.32	0.775	19.69	3

mat'l. code				tolerances unless otherwise specified		CUSTOMER COPY		 Electronics FCI www.fciconnect.com		
ltr	ecn no	dr	date	linear	.XX±.01/.X±.3	projection		title		
EM					.XXX±.005/.XX±.13			BERGPOST®		
				angles	.XXX±.0020/.XXX±.051	INCH/MM		product family PIN PRODUCTS		
				dr	0° ±2'			size dwg no		code
				engr	J.W. BAIR 8/3/92	scale	A	47310		213
				chr	E. IORFIDO 8/3/92			sheet		3 of
				appd	E. IORFIDO 8/3/92			3 of		
sheet index	revision sheet									

PRODUCT NUMBER	CONTACT AREA				OVERALL LENGTH				PLATING CODE
	DIM A	DIM A	DIM H	DIM H	DIM L	DIM L	DIM R	DIM R	
	ENGLISH	METRIC	ENGLISH	METRIC	ENGLISH	METRIC	ENGLISH	METRIC	
47356-000	0.698	17.73	0.718	18.24	1.485	37.72	0.705	17.91	3
47357-000	0.228	5.79	0.248	6.30	0.370	9.40	0.060	1.52	3
47358-000	0.573	14.55	0.593	15.06	0.895	22.73	0.240	6.10	3
47359-000	0.448	11.38	0.468	11.89	0.590	14.99	0.060	1.52	3
47359-001	0.448	11.38	0.468	11.89	0.590	14.99	0.060	1.52	1
47600-000	0.485	12.32	0.505	12.83	0.960	24.38	0.393	9.98	4
47762-000	0.380	9.65	0.400	10.16	0.522	13.26	0.060	1.52	1
47799-000	0.583	14.81	0.603	15.32	1.000	25.40	0.335	8.51	1
47800-000	0.520	13.21	0.540	13.72	0.912	23.16	0.320	8.13	1
47804-000	0.558	14.17	0.578	14.68	0.700	17.78	0.060	1.52	3
47816-000	0.615	15.62	0.628	15.95	1.010	25.65	0.320	8.13	3
47824-000	0.323	8.20	0.343	8.71	0.465	11.81	0.060	1.52	4
47868-000									SUPERSEDED BY 48031-000
47870-000									SUPERSEDED BY 48034-000
47871-000									SUPERSEDED BY 48033-000
47998-000	0.380	9.65	0.400	10.16	0.710	18.03	0.248	6.30	3
48004-000	0.308	7.82	0.328	8.33	0.450	11.43	0.060	1.52	4
48005-000									SUPERSEDED BY 48035-000
48006-000									SUPERSEDED BY 48036-000
48008-000	0.255	6.48	0.275	6.99	0.772	19.61	0.435	11.05	3
48009-000	0.255	6.48	0.275	6.99	0.642	16.31	0.305	7.75	3
48010-000	0.651	16.54	0.671	17.04	0.793	20.14	0.060	1.52	1
48011-000	0.500	12.70	0.520	13.21	0.640	16.26	0.058	1.47	4
48019-000	0.250	6.35	0.270	6.86	0.572	14.53	0.240	6.10	1
48020-000	0.250	6.35	0.270	6.86	0.390	9.91	0.058	1.47	1
48021-000	0.750	19.05	0.770	19.56	0.892	22.66	0.060	1.52	1
48022-000	0.380	9.65	0.400	10.16	0.880	22.35	0.418	10.62	1
48028-000	0.280	7.11	0.300	7.62	0.552	14.02	0.190	4.83	1
48031-000	0.583	14.81	0.603	15.32	1.075	27.31	0.410	10.41	1
48032-001	0.558	14.17	0.578	14.68	0.700	17.78	0.060	1.52	1
48033-000	0.390	9.91	0.410	10.41	1.075	27.31	0.603	15.32	1
48034-000	0.240	6.10	0.260	6.60	0.732	18.59	0.410	10.41	1
48035-000	0.630	16.00	0.650	16.51	1.122	28.50	0.410	10.41	1
48036-000	0.390	9.91	0.410	10.41	1.122	28.50	0.650	16.51	1
48042-000	0.338	8.59	0.358	9.09	0.478	12.14	0.058	1.47	1

Tous droits strictement reserves. Reproduction ou communication a des tiers interdite sous quelque forme que ce soit sans autorisation écrite du propriétaire. Propriete de c FCI. Droits de reproduction FCI.

All rights strictly reserved. Reproduction or issue to third parties in any form whatever is not permitted without written authority from the proprietor. Property of FCI. Copyright FCI.



A

A

B


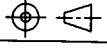
B

mat'l. code				tolerances unless otherwise specified		CUSTOMER COPY	Electronics www.fciconnect.com
ltr	ecn no	dr	date	linear	.XX±.01/.X±.3		
EM				angles	.XXX±.005/.XX±.13		BERGPOST®
				dr	.XXX±.0020/.XXX±.051		
				enr	0° ±2°	scale	size/ dwg no
				chr	J.W.BAIR 8/3/92	1:1	A 47310
				appd	E. IORFIDO 8/3/92		code
sheet index	revision sheet				E. IORFIDO 8/3/92		213
							sheet 4 of

Tous droits strictement reserves. Reproduction ou communication a des tiers interdite sous quelque forme que ce soit sans autorisation écrite du propriétaire. Propriete de c FCI. Droits de reproduction FCI.

All rights strictly reserved. Reproduction or issue to third parties in any form whatever is not permitted without written authority from the proprietor. Property of FCI. Copyright FCI.

PRODUCT NUMBER	CONTACT AREA				OVERALL LENGTH				PLATING CODE
	DIM A	DIM A	DIM H	DIM H	DIM L	DIM L	DIM R	DIM R	
	ENGLISH	METRIC	ENGLISH	METRIC	ENGLISH	METRIC	ENGLISH	METRIC	
48081-000	0.573	14.55	0.593	15.06	0.895	22.73	0.240	6.10	4
48084-000	0.308	7.82	0.328	8.33	0.450	11.43	0.060	1.52	1
48087-000	0.250	6.35	0.270	6.86	0.650	16.51	0.318	8.08	1
48089-000	0.228	5.79	0.248	6.30	0.550	13.97	0.240	6.10	4
48114-001	0.380	9.65	0.400	10.16	0.960	24.38	0.498	12.65	4
48122-000	0.698	17.73	0.718	18.24	1.000	25.40	0.225	5.72	4
48124-000	0.558	14.17	0.578	14.68	0.700	17.78	0.060	1.52	4
48179-000	0.755	19.18	0.775	19.69	1.260	32.00	0.420	10.67	1
48206-000	0.228	5.79	0.248	6.30	0.368	9.35	0.058	1.47	4
48217-000	0.400	10.16	0.420	10.67	0.892	22.66	0.410	10.41	1
48218-000	0.630	16.00	0.650	16.51	0.770	19.56	0.058	1.47	1
48219-000	0.583	14.81	0.603	15.32	1.075	27.31	0.410	10.41	9
48220-000	0.558	14.17	0.578	14.68	0.700	17.78	0.060	1.52	9
48221-000	0.390	9.91	0.410	10.41	1.075	27.31	0.603	15.32	9
48222-000	0.240	6.10	0.260	6.60	0.732	18.59	0.410	10.41	9
48223-000	0.630	16.00	0.650	16.51	1.122	28.50	0.410	10.41	9
48224-000	0.390	9.91	0.410	10.41	1.122	28.50	0.650	16.51	9
48225-000	0.308	7.82	0.328	8.33	0.450	11.43	0.060	1.52	9
48226-000	0.400	10.16	0.420	10.67	0.892	22.66	0.410	10.41	9
48227-000	0.630	16.00	0.650	16.51	0.770	19.56	0.058	1.47	9
48228-000	0.630	16.00	0.650	16.51	1.122	28.50	0.410	10.41	4
48265-000	0.630	16.00	0.650	16.51	1.122	28.50	0.410	10.41	3
48267-000	0.280	7.11	0.300	7.62	0.552	14.02	0.190	4.83	4
48277-000	0.500	12.70	0.520	13.21	0.640	16.26	0.058	1.47	1
48278-000	0.573	14.55	0.593	15.06	0.895	22.73	0.240	6.10	9
48305-000	0.485	12.32	0.505	12.83	0.960	24.38	0.393	9.98	1

mat'l. code				tolerances unless otherwise specified				CUSTOMER COPY		 Electronics FCI www.fciconnect.com	
ltr	ecn no	dr	date	linear	.XX±.01/.X±.3			projection	title		
EM					.XXX±.005/.XX±.13				BERGPOST®		
				angles	0° ±2'			 INCH/MM	product family PIN PRODUCTS		code
				dr	J.W.BAIR	8/3/92	scale		size	dwg no	sheet
				engr	E. IORFIDO	8/3/92		1:1			
				chr	E. IORFIDO	8/3/92					
				appd	E. IORFIDO	8/3/92					
sheet index	revision sheet										

ACAD

PDM: Rev:EM

STATUS: Released

Printed: Apr 28, 2005

cage code
22526