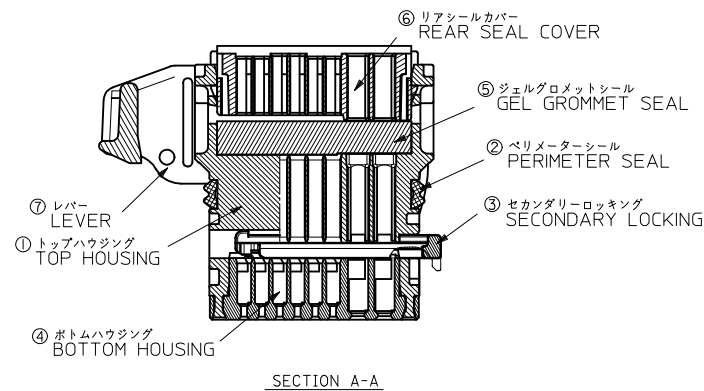


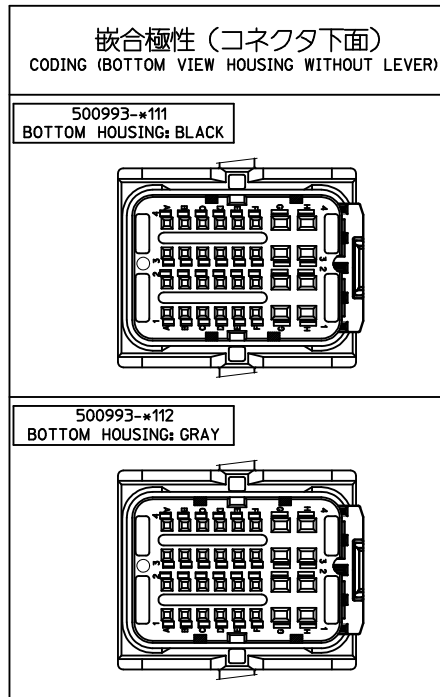
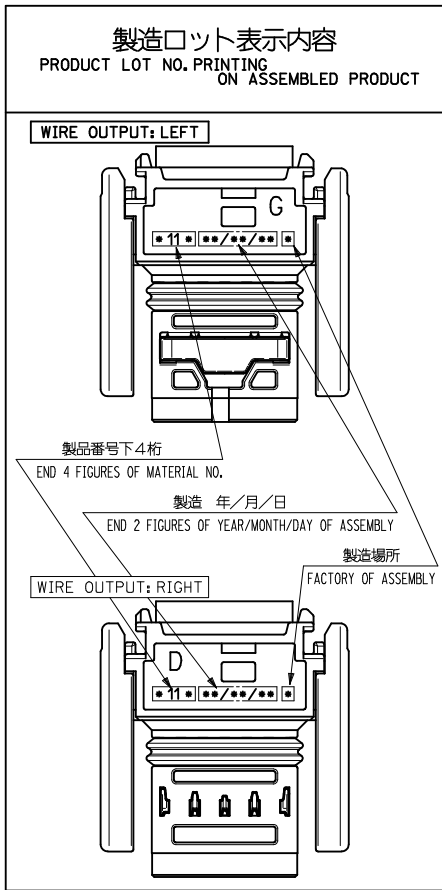
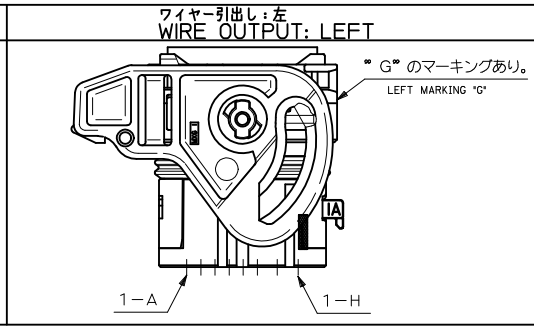
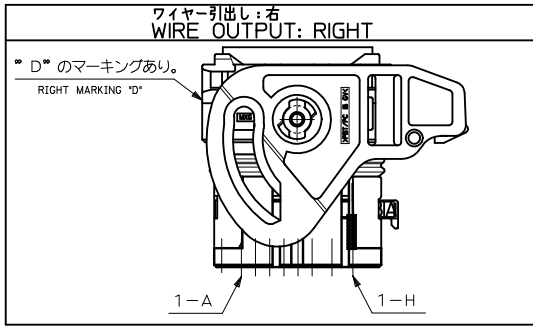
注記
NOTES

- 適合端子:
APPLICABLE TERMINAL:
信号部 (025端子)
FOR SIGNAL (025 TERMINAL)
MOX 0.63 TERMINAL 98658-1211
電源部 (060端子)
FOR POWER SUPPLY (060 TERMINAL)
MOX 1.5 TERMINAL 98195-1211, 98195-1212, 98195-1213
- 適合ワイヤーキャップ:
APPLICABLE WIRE CAP: 98649-1001
- コネクタの取り扱い、使用方法等についてはアプリケーション仕様書AS-500993-001を参照下さい。
PLEASE REFER TO APPLICATION SPECIFICATION AS-500993-001 FOR HANDLING AND USING.



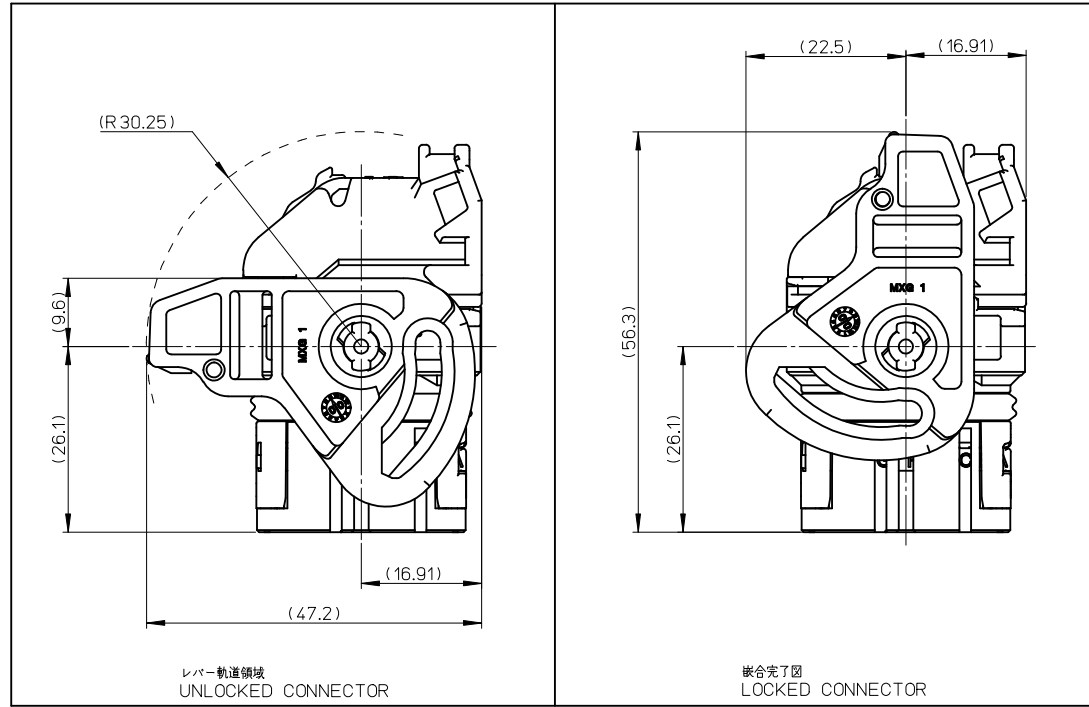
左 LEFT	500993-5112	灰 GRAY
	500993-5111	黒 BLACK
右 RIGHT	500993-4112	灰 GRAY
	500993-4111	黒 BLACK
ワイヤ取出し方向(レバー方向) WIRE OUTPUT DIRECTION (LEVER DIRECTION)	型番 MATERIAL NO.	色 COLOR

REVISED & REDRAWN EC NO: JTR2010-0117 DRWN: SINAOKA 2010/07/26 CHKD: SANDO 2010/07/27 APPR: MAYAMOTO 2010/07/28	GENERAL TOLERANCES (UNLESS SPECIFIED)		DIMENSION STYLE MM ONLY		SCALE 2:1	DESIGN UNITS METRIC	THIRD ANGLE PROJECTION
	10 UNDER	±0.2	DRAWN BY SINAOKA	DATE 2010/07/26	TITLE CMC REC. ASSY 32PIN (MOX1.5)		
	10 OVER 30 UNDER	±0.25	CHECKED BY SANDO	DATE 2010/07/27	APPROVED BY MAYAMOTO		
	30 OVER	±0.3	DATE 2010/07/27	MATERIAL NO. DOCUMENT NO. MOLEX MOLEX INCORPORATED			
ANGULAR ±1 °		DRAFT WHERE APPLICABLE MUST REMAIN WITHIN DIMENSIONS		SEE TABLE		SD-500993-004	SHEET NO. 1 OF 3
SIZE A2 THIS DRAWING CONTAINS INFORMATION THAT IS PROPRIETARY TO MOLEX INCORPORATED AND SHOULD NOT BE USED WITHOUT WRITTEN PERMISSION							



①	トップハウジング TOP HOUSING	ポリエステル ガラス充填 PBT G.F.	黒 BLACK
②	ペリメーターシール PERIMETER SEAL	シリコン SILICONE	青 BLUE
③	セカンダリロック SECONDARY LOCKING	ポリエステル ガラス充填 PBT G.F.	灰 GRAY
④	ボトムハウジング BOTTOM HOUSING	ポリエステル ガラス充填 PBT G.F.	SHEET1 表参照 SEE CHART(SHEET1)
⑤	ジェルグロメットシール GEL GTOMMET SEAL	シリコン SILICONE	青 BLUE
⑥	リアシールカバー REAR SEAL COVER	ポリエステル ガラス充填 PBT G.F.	緑 GREEN
⑦	レバー LEVER	ポリエステル/ポリカーボネート ガラス充填 PBT/PC G.F.	灰 GRAY
	部品名 PART NAME	材質 MATERIAL	色 COLOR

REVISED & REDRAWN EC NO: JTR2010-017 DRAWN: INAKA 2010/07/26 CHKD: SANDO 2010/07/27 APPR: MAYAMOTO 2010/07/28	GENERAL TOLERANCES (UNLESS SPECIFIED)		DIMENSION STYLE MM ONLY		SCALE 2:1	DESIGN UNITS METRIC	THIRD ANGLE PROJECTION
	10 UNDER	±0.2	DRAWN BY SINAOKA	DATE 2010/07/26	TITLE CMC REC. ASSY 32PIN (MOX1.5)		
	10 OVER 30 UNDER	±0.25	CHECKED BY SANDO	DATE 2010/07/27	MOLEX MOLEX INCORPORATED		
	30 OVER	±0.3	APPROVED BY MAYAMOTO	DATE 2010/07/27	DOCUMENT NO. SD-500993-004		
	ANGULAR ±1 °	DRAFT WHERE APPLICABLE MUST REMAIN WITHIN DIMENSIONS		SEE SHEET NO.1		SHEET NO. 2 OF 3	
		THIS DRAWING CONTAINS INFORMATION THAT IS PROPRIETARY TO MOLEX INCORPORATED AND SHOULD NOT BE USED WITHOUT WRITTEN PERMISSION					



レバー軌道領域
UNLOCKED CONNECTOR

嵌合完了図
LOCKED CONNECTOR

REVISED & REDRAWN EC NO: JTR2010-017 DRWNS: INAKA 2010/07/26 CHKD: SANDO 2010/07/27 APPR: MAYAMAMOTO 2010/07/28	GENERAL TOLERANCES (UNLESS SPECIFIED)		DIMENSION STYLE MM ONLY		SCALE 2:1	DESIGN UNITS METRIC	THIRD ANGLE PROJECTION	
	10 UNDER	±0.2	DRAWN BY SINAOKA	DATE 2010/07/26	TITLE CMC REC. ASSY 32PIN (MOX1.5)			
	10 OVER 30 UNDER	±0.25	CHECKED BY SANDO	DATE 2010/07/27				
	30 OVER	±0.3	APPROVED BY MAYAMAMOTO	DATE 2010/07/27	MOLEX INCORPORATED DOCUMENT NO. SD-500993-004			
ANGULAR	±1 °	MATERIAL NO.	SEE SHEET NO.1	SHEET NO. 3 OF 3				
DRAFT WHERE APPLICABLE MUST REMAIN WITHIN DIMENSIONS		THIS DRAWING CONTAINS INFORMATION THAT IS PROPRIETARY TO MOLEX INCORPORATED AND SHOULD NOT BE USED WITHOUT WRITTEN PERMISSION						