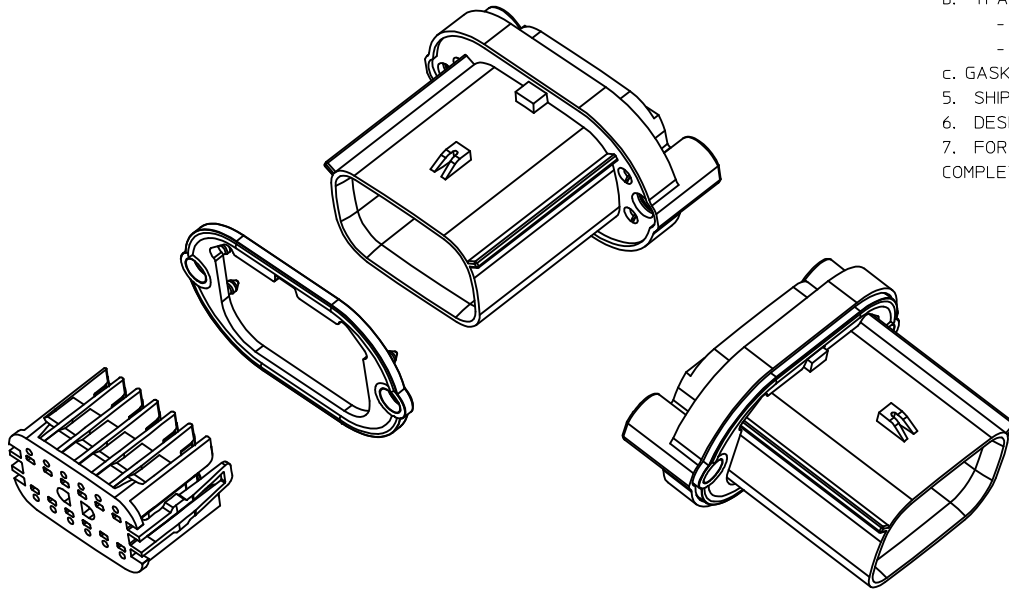


TABLE OF CONTENTS	
SHEET 1	NOTES, ISO VIEW
SHEET 2	BOM, POLARIZATION
SHEET 3	DETAIL VIEWS AND SECTIONS

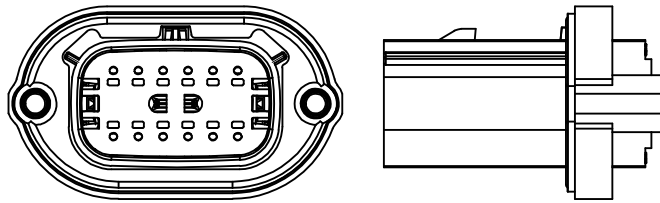
NOTES: VALID UNLESS OTHERWISE SPECIFIED

1. APPLICATION SPECIFICATION SEE: AS-47725-001
2. PRODUCT SPECIFICATION SEE: PS-47725-000
3. PARTS MUST BE IN COMPLIANCE TO MOLEX CHEMICAL SUBSTANCES FOR PRODUCTS AND PACKAGING SPECIFICATION: ES-40000-5016
4. MATERIALS:
 - a. HOUSING:
 - UL HB PART: PBT, 15% GLASS FILLED
 - UL V0 PART: PA6, 30% GLASS FILLED
 - b. TPA:
 - UL HB PART: SPS/NYLON BLEND, 20% GLASS FILLED
 - UL V0 PART: PA6, 30% GLASS FILLED
 - c. GASKET: SILICONE
5. SHIPPED PART WITH GASKET AND TPA IN PRE-LOCK POSITION
6. DESIGNED TO MATE WITH MX150 RECEPTACLE CONNECTOR ASSEMBLY
7. FOR ESSENTIAL PARTS (TERMINAL, WIRE ETC.) AND INSTALLATION TO COMPLETE ASSEMBLY SEE MOLEX PRODUCT SPECIFICATION PS-33472-000

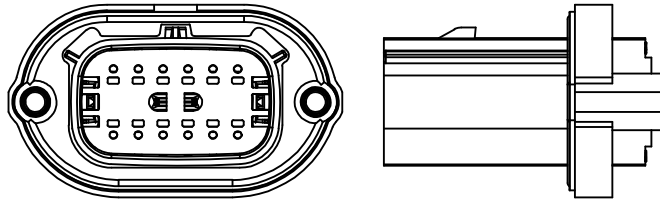


INSPECTION BALLOON NUMBER LOG										
PER DRAWING REVISION: B2										
LAST BALLOON NUMBER USED: 5										
ADDED BALLOON NUMBERS:										
REMOVED BALLOON NUMBERS:										
B2		ADDED DIMENSION 1b FOR V0 ADDED DIMENSION 2b FOR V0								
B1		ADD P/N 477259050 UPDATE TRACEABILITY AREA								
B		ADD UL V0 VERSION								
A		INITIAL RELEASE								
REV		DESCRIPTION								
INITIAL RELEASE EC NO: GCA2017-0093 DRWN: CDZHANG 2017/05/13 CHKD: JDENG02 APPR: JDENG02 2017/05/17	QUALITY SYMBOLS	GENERAL TOLERANCES (UNLESS SPECIFIED)				DIMENSION STYLE		SCALE	DESIGN UNITS	THIRD ANGLE PROJECTION
						MM ONLY		2:1	METRIC	
B2	REV	mm		INCH		DRAWN BY	DATE	TITLE		
		±---		±---		CDZHANG	2015/11/20	MX150 2X6 PANEL MOUNT CONNECTOR		
B2	REV	±---		±---		CHECKED BY	DATE	molex		
		±---		±---		JDENG02	2015/11/20			
B2	REV	±---		±---		APPROVED BY	DATE	MATERIAL NO.		DOCUMENT NO.
		±---		±---		CBQIU	2015/12/21	ON SHEET 2		SD-47725-601
		ANGULAR ±---°				SIZE		SHEET NO.		
		DRAFT WHERE APPLICABLE MUST REMAIN WITHIN DIMENSIONS				A2		1 OF 3		
THIS DRAWING CONTAINS INFORMATION THAT IS PROPRIETARY TO MOLEX INCORPORATED AND SHOULD NOT BE USED WITHOUT WRITTEN PERMISSION										

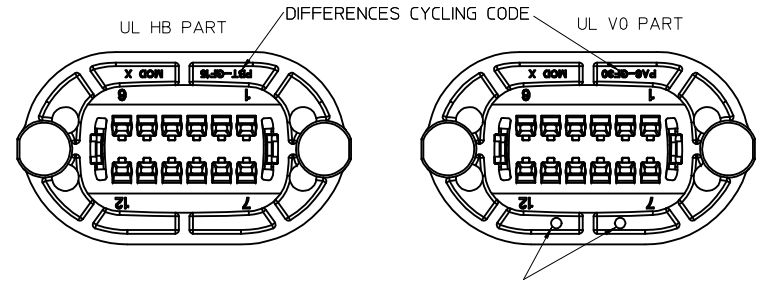
47725-60XX
47725-90XX



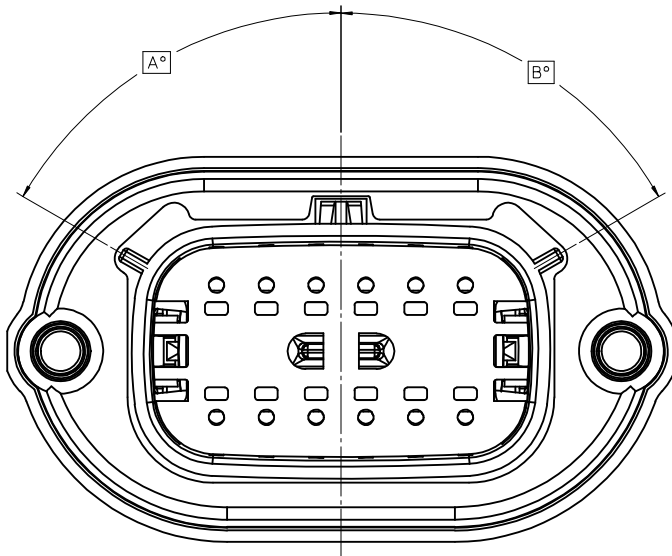
47725-70XX



DIFFERENCE BETWEEN UL HB PART AND UL V0 PART



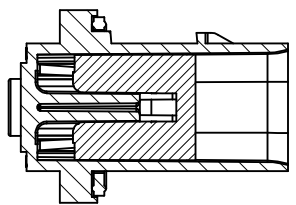
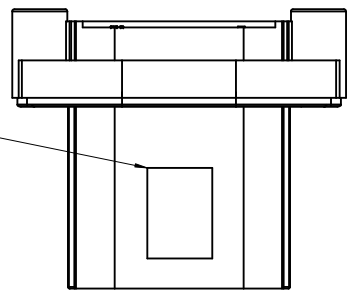
2 COLUMNS ADDED ON V0 PART TO DISTINGUISH FROM HB GRADE PART



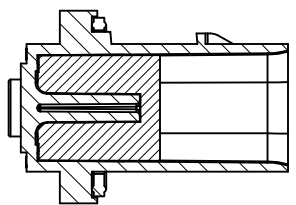
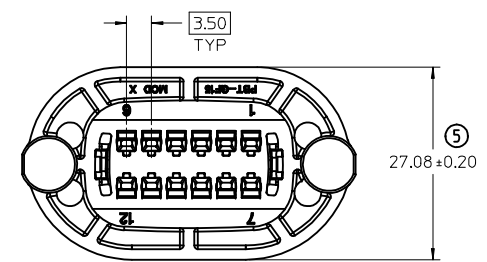
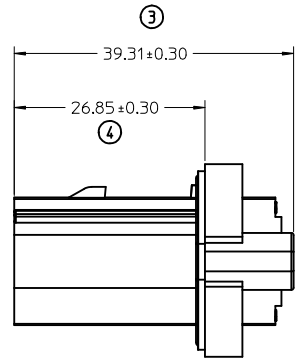
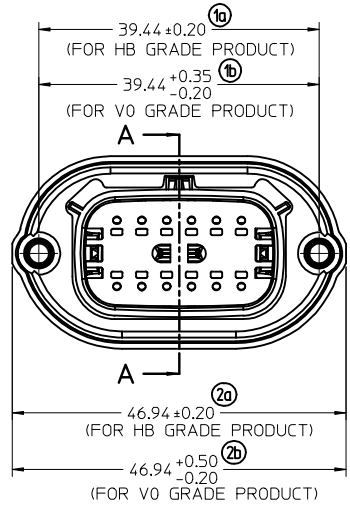
UL GRADE	PART NUMBER	KEYING OPTION	COLOR	DIMENSIONS		STATUS
				A	B	
HB	477256010	A	BLACK	60	60	TOOLED
	477256020	B	LIGHT GRAY	25	60	TOOLED
	477256030	C	DARK GRAY	60	25	TOOLED
	477256040	D	STONE GRAY	25	25	TOOLED
	477257010	A	BLACK	60	60	TOOLED
	477257020	B	LIGHT GRAY	25	60	TOOLED
	477257030	C	DARK GRAY	60	25	TOOLED
	477257040	D	STONE GRAY	25	25	TOOLED
V0	477259010	A	BLACK	60	60	TOOLED
	477259020	B	LIGHT GRAY	25	60	TOOLED
	477259030	C	DARK GRAY	60	25	TOOLED
	477259040	D	STONE GRAY	25	25	TOOLED
	477259050	D	BLACK	25	25	TOOLED

INITIAL RELEASE EC NO: GCA2017-0093 DRWN: CDZHANG 2017/05/13 CHKD: APPR: JDENG02 2017/05/17 B2	QUALITY SYMBOLS ▽=0 ▽=0 ▽=0	GENERAL TOLERANCES (UNLESS SPECIFIED) <table border="1"> <tr> <th></th> <th>mm</th> <th>INCH</th> </tr> <tr> <td>4 PLACES</td> <td>±---</td> <td>±---</td> </tr> <tr> <td>3 PLACES</td> <td>±---</td> <td>±---</td> </tr> <tr> <td>2 PLACES</td> <td>±---</td> <td>±---</td> </tr> <tr> <td>1 PLACE</td> <td>±---</td> <td>±---</td> </tr> <tr> <td>0 PLACE</td> <td>±---</td> <td>±---</td> </tr> </table>		mm	INCH	4 PLACES	±---	±---	3 PLACES	±---	±---	2 PLACES	±---	±---	1 PLACE	±---	±---	0 PLACE	±---	±---	DIMENSION STYLE MM ONLY DRAWN BY: CDZHANG DATE: 2015/11/20 CHECKED BY: JDENG02 DATE: 2015/11/20 APPROVED BY: CBQIU DATE: 2015/12/21	SCALE: 2:1 DESIGN UNITS: METRIC THIRD ANGLE PROJECTION	TITLE: MX150 2X6 PANEL MOUNT CONNECTOR
		mm	INCH																				
	4 PLACES	±---	±---																				
	3 PLACES	±---	±---																				
2 PLACES	±---	±---																					
1 PLACE	±---	±---																					
0 PLACE	±---	±---																					
	ANGLULAR ±---° DRAFT WHERE APPLICABLE MUST REMAIN WITHIN DIMENSIONS	MATERIAL NO. SEE TABLE SIZE: A2	DOCUMENT NO. SD-47725-601	SHEET NO. 2 OF 3																			
THIS DRAWING CONTAINS INFORMATION THAT IS PROPRIETARY TO MOLEX INCORPORATED AND SHOULD NOT BE USED WITHOUT WRITTEN PERMISSION																							

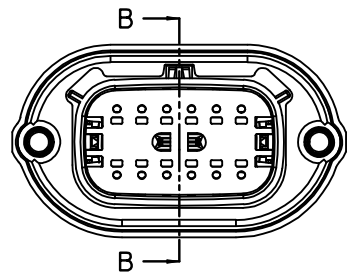
TRACEABILITY INFORMATION
LOCATION IN THIS AREA



SECTION A-A
(TPA SHOWN IN PRE-LOCK POSITION
FOR REFERENCE ONLY)



(TPA SHOWN IN FULL-LOCK POSITION
FOR REFERENCE ONLY)



INITIAL RELEASE EC NO: GCA2017-0093 DRWN: CDZHANG 2017/05/13 CHKD: JDENG02 APPR: JDENG02 2017/05/17 B2	QUALITY SYMBOLS ∇=0 ∇=0 ∇=0	GENERAL TOLERANCES (UNLESS SPECIFIED)		DIMENSION STYLE MM ONLY		SCALE 2:1	DESIGN UNITS METRIC	THIRD ANGLE PROJECTION		
			mm	INCH	DRAWN BY	DATE	TITLE			
		4 PLACES	±---	±---	CDZHANG	2015/11/20	MX150 2X6 PANEL MOUNT CONNECTOR			
		3 PLACES	±---	±---	CHECKED BY	DATE				
2 PLACES	±---	±---	JDENG02	2015/11/20	molex					
1 PLACE	±---	±---	APPROVED BY	DATE						
0 PLACE	±---	±---	CBQIU	2015/12/21	MATERIAL NO. ON SHEET 2		DOCUMENT NO. SD-47725-601		SHEET NO. 3 OF 3	
DRAFT WHERE APPLICABLE MUST REMAIN WITHIN DIMENSIONS				THIS DRAWING CONTAINS INFORMATION THAT IS PROPRIETARY TO MOLEX INCORPORATED AND SHOULD NOT BE USED WITHOUT WRITTEN PERMISSION						