

**PLEASE CHECK WWW.MOLEX.COM FOR LATEST PART INFORMATION**

**Part Number:** [5036571000](#)  
**Status:** **Active**  
**Overview:** Micro-Lock™ Connectors  
**Description:** Micro-Lock 2.00mm Wire-to-Board Crimp Terminal, 22 - 26 AWG, Reel

**Documents:**

<a href="#">Drawing (PDF)</a>	<a href="#">Application Specification AS-503658-001-001 (PDF)</a>
<a href="#">Product Specification PS-503658-001-001 (PDF)</a>	<a href="#">Packaging Specification SPK-503657-001-001 (PDF)</a>
<a href="#">Product Specification PS-504054-001-001 (PDF)</a>	<a href="#">RoHS Certificate of Compliance (PDF)</a>

**General**

Product Family	Crimp Terminals
Series	<a href="#">503657</a>
Application	Power, Signal
Crimp Quality Equipment	Yes
Overview	<u>Micro-Lock™ Connectors</u>
Product Name	Micro-Lock
UPC	884982339552

**Physical**

Durability (mating cycles max)	30
Gender	Female
Material - Metal	Copper Alloy
Material - Plating Mating	Tin
Net Weight	40.500/mg
Packaging Type	Reel
Wire Insulation Diameter	0.9-1.5
Wire Size AWG	22, 24, 26
Wire Size mm <sup>2</sup>	0.126-0.34

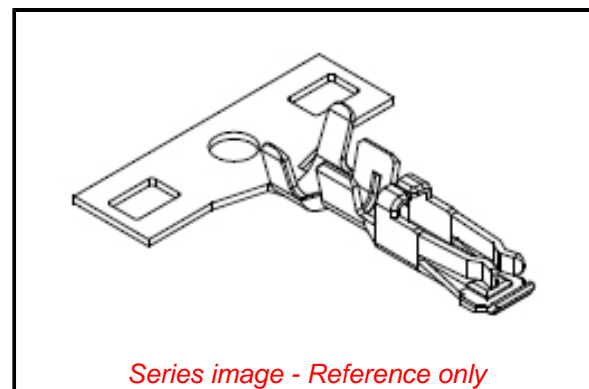
**Electrical**

Current - Maximum per Contact	3.0A
Voltage - Maximum	250V

**Material Info**

**Reference - Drawing Numbers**

Application Specification	AS-503658-001-001
Crimp Specification	CS-503657-001-001
Packaging Specification	SPK-503657-001-001
Product Specification	PS-503658-001-001, PS-504054-001-001
Sales Drawing	SD-503657-001



*Series image - Reference only*

**EU ELV**

**Not Relevant**

**EU RoHS**

**Compliant**

**REACH SVHC**

Not Contained Per - ED/71/2019 (16 July 2019)

**Halogen-Free**

**Status**

**Low-Halogen**

For more information, please visit [Contact US](#)

China ROHS

ELV

RoHS Phthalates

**China RoHS**

Green Image

Not Relevant

Not Contained

**Search Parts in this Series**

[503657 Series](#)

**Use With**

[503658](#) Micro-Lock Wire-to-Board Crimp Housing

**Application Tooling | FAQ**

*Tooling specifications and manuals are found by selecting the products below. Crimp Height Specifications are then contained in the Application Tooling Specification document.*

**Global**

Description	Product #
Extraction and Activation Tool	<a href="#">638132700</a>
Hand Crimp Tool for 2.00mm Pitch Wire-to-Board Crimp Terminal	<a href="#">638239800</a>
FineAdjust Applicator for 2.0 W/B Receptacle Terminals	<a href="#">639022800</a>

T2 Terminator for 639122800  
2.0 W/B Receptacle  
Terminals

**Japan**

<b>Description</b>	<b>Product #</b>
S-1 Applicator for Micro-Lock Terminals, 22-26 AWG	<u>5780753700</u>

This document was generated on 09/17/2019

**PLEASE CHECK [WWW.MOLEX.COM](http://WWW.MOLEX.COM) FOR LATEST PART INFORMATION**