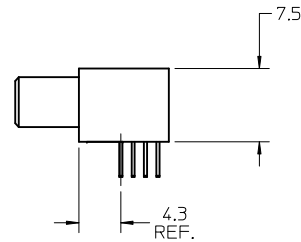
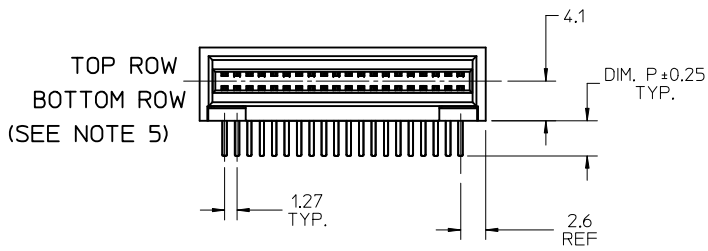
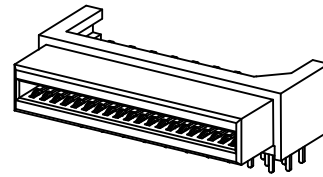
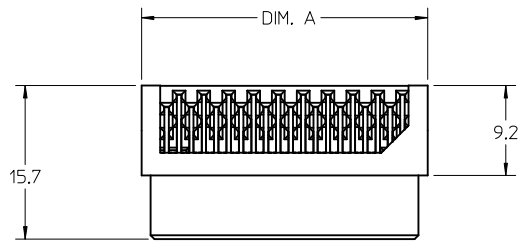


10 9 8 7 6 5 4 3 2 1



NUMBER OF SIGNAL  
TERMINALS OPTIONAL  
(SEE CHART)

NO OF SIGNAL	MATERIAL NUMBER	DIM A	DIM P	PCB THK
12	45984-0111	11.5	4.50	3.18
16	45984-0121	14.0		
20	45984-0131	16.5		
24	45984-0141	19.1		
28	45984-0151	21.6		
32	45984-0161	24.2	3.60	2.36
36	45984-0171	26.7		
40	45984-0181	29.2		
12	45984-0112	11.5		
16	45984-0122	14.0		
20	45984-0132	16.5	2.90	1.57
24	45984-0142	19.1		
28	45984-0152	21.6		
32	45984-0162	24.2		
36	45984-0172	26.7		
40	45984-0182	29.2	2.90	1.57
12	45984-0113	11.5		
16	45984-0123	14.0		
20	45984-0133	16.5		
24	45984-0143	19.1		
28	45984-0153	21.6		
32	45984-0163	24.2		
36	45984-0173	26.7		
40	45984-0183	29.2		

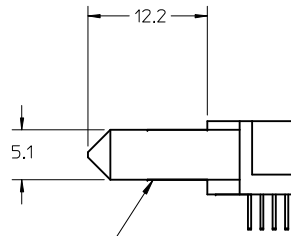
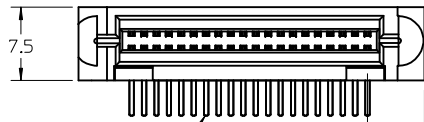
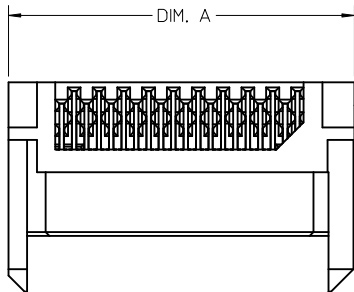
NOTES:

1. MATERIAL: HOUSING - GLASS FILLED LCP (LIQUID CRYSTAL POLYMER, UL94V-0, COLOR: BLACK  
TERMINALS - COPPER ALLOY
2. PLATING: 0.76 MICROMETER/(30 MICROINCH) MINIMUM SELECT GOLD  
3.81 MICROMETER (150 MICROINCH) MINIMUM TIN, BOTH OVER  
1.27 MICROMETER/(50 MICROINCH) MINIMUM NICKEL OVERALL.
3. PRODUCT SPECIFICATION: PS-45984-001.
4. PACKAGING SPECIFICATION: 45984-02\*\* AND 45984-04\*\* TRAY PACK PER PK-45984-001. 45984-01\*\* AND 45984-03\*\* TRAY PACK PER PK-45984-002.
5. SEE SHEET 5 FOR CIRCUIT IDENTIFICATION
6. MATES WITH 45985 SERIES PLUG ASSEMBLY OR 157/0.62 CARD EDGE.
7. PARTS ARE RoHS COMPLIANT.

REV GEN TOL EC NO: UCP2015-2190 DRWN: JOUILLES 2014/11/25 CHKD: MBANDURA 2014/11/25 APPR: APATEL 2014/12/03	DESCRIPTION REV	QUALITY SYMBOLS	GENERAL TOLERANCES (UNLESS SPECIFIED)		DIMENSION STYLE MM ONLY		SCALE 2:1	DESIGN UNITS METRIC	THIRD ANGLE PROJECTION
		▽E=0 ▽E=0 ▽E=0	4 PLACES	± ---	± ---	DRAWN BY BANDURA	DATE 2006/04/24	TITLE LPH RECEPTACLE ASSEMBLY SIGNAL CONNECTOR	molex
			3 PLACES	± ---	± ---	CHECKED BY BANDURA	DATE 2006/04/24		
			2 PLACES	± 0.25	± ---	APPROVED BY PATEL	DATE 2006/04/28	DOCUMENT NO. SD-45984-483	SHEET NO. 1 OF 6
D2			ANGULAR ±1/2°	DRAFT WHERE APPLICABLE MUST REMAIN WITHIN DIMENSIONS		MATERIAL NO. SEE CHART		THIS DRAWING CONTAINS INFORMATION THAT IS PROPRIETARY TO MOLEX INCORPORATED AND SHOULD NOT BE USED WITHOUT WRITTEN PERMISSION	

9 8 7 6 5 4 3 2 1

10 9 8 7 6 5 4 3 2 1



NUMBER OF SIGNAL  
TERMINALS OPTIONAL  
(SEE CHART)

5.8  
REF

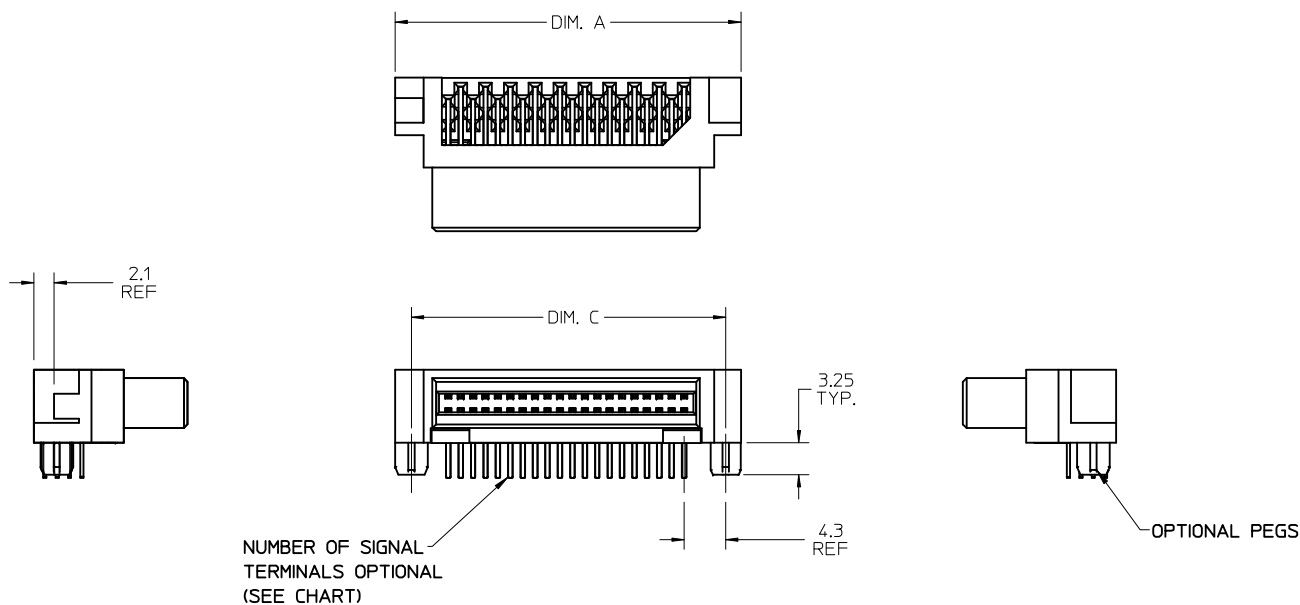
OPTIONAL GUIDES

NO OF SIGNAL	MATERIAL NUMBER	DIM A	DIM P	PCB THK
12	45984-0211	17.6	4.50	3.18
16	45984-0221	20.1		
20	45984-0231	22.6		
24	45984-0241	25.2		
28	45984-0251	27.7		
32	45984-0261	30.3		
36	45984-0271	32.8	3.60	2.36
40	45984-0281	35.4		
12	45984-0212	17.6		
16	45984-0222	20.1		
20	45984-0232	22.6		
24	45984-0242	25.2		
28	45984-0252	27.7	2.90	1.57
32	45984-0262	30.3		
36	45984-0272	32.8		
40	45984-0282	35.4		
12	45984-0213	17.6		
16	45984-0223	20.1		
20	45984-0233	22.6		
24	45984-0243	25.2		
28	45984-0253	27.7		
32	45984-0263	30.3		
36	45984-0273	32.8		
40	45984-0283	35.4		

SEE SHEET 1 EC NO: UCP2015-2190 DRWN: JUILLES 2014/11/25 CHKD: BANDURA 2014/11/25 APPR: APATEL 2014/12/03	REV D2	QUALITY SYMBOLS	GENERAL TOLERANCES (UNLESS SPECIFIED)		DIMENSION STYLE MM ONLY		SCALE 2:1	DESIGN UNITS METRIC	THIRD ANGLE PROJECTION		
		▽F/0	4 PLACES	± ---	± ---	DRAWN BY BANDURA	DATE 2006/04/24	TITLE LPH RECEPTACLE ASSEMBLY SIGNAL CONNECTOR			
		▽E/0	3 PLACES	± ---	± ---	CHECKED BY BANDURA	DATE 2006/04/24				
		▽D/0	2 PLACES	± 0.25	± ---	APPROVED BY PATEL		DATE 2006/04/28	DOCUMENT NO. SD-45984-483		
	1 PLACE	± 0.38	± ---	MATERIAL NO. SEE CHART			SHEET NO. 2 OF 6				
			0 PLACE	±	±	ANGULAR ±1/2°		THIS DRAWING CONTAINS INFORMATION THAT IS PROPRIETARY TO MOLEX INCORPORATED AND SHOULD NOT BE USED WITHOUT WRITTEN PERMISSION			
			DRAFT WHERE APPLICABLE MUST REMAIN WITHIN DIMENSIONS		SIZE B						

9 8 7 6 5 4 3 2 1

10 9 8 7 6 5 4 3 2 1

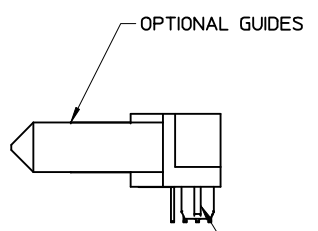
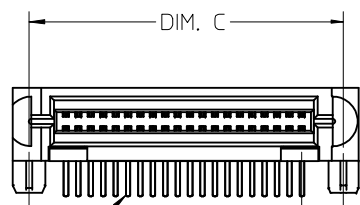
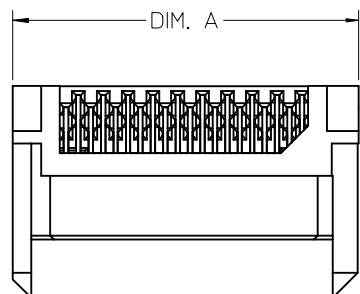


NO OF SIGNAL	MATERIAL NUMBER	DIM A	DIM C	DIM P	PCB THK
12	45984-0311	17.6	14.37	4.50	3.18
16	45984-0321	20.1	16.91		
20	45984-0331	22.6	19.45		
24	45984-0341	25.2	21.99		
28	45984-0351	27.7	24.53		
32	45984-0361	30.3	27.07		
36	45984-0371	32.8	29.61	3.60	2.36
40	45984-0381	35.4	32.15		
12	45984-0312	17.6	14.37		
16	45984-0322	20.1	16.91		
20	45984-0332	22.6	19.45		
24	45984-0342	25.2	21.99		
28	45984-0352	27.7	24.53		
32	45984-0362	30.3	27.07		
36	45984-0372	32.8	29.61		
40	45984-0382	35.4	32.15	2.90	1.57
12	45984-0313	17.6	14.37		
16	45984-0323	20.1	16.91		
20	45984-0333	22.6	19.45		
24	45984-0343	25.2	21.99		
28	45984-0353	27.7	24.53		
32	45984-0363	30.3	27.07		
36	45984-0373	32.8	29.61		
40	45984-0383	35.4	32.15		

SEE SHEET 1 EC NO: UCP2015-2190 DRWN: JUILLES 2014/11/25 CHKD: BANDURA 2014/11/25 APPR: APATEL 2014/12/03	DESCRIPTION	QUALITY SYMBOLS	GENERAL TOLERANCES (UNLESS SPECIFIED)	DIMENSION STYLE	SCALE	DESIGN UNITS	THIRD ANGLE PROJECTION
				MM ONLY	2:1	METRIC	
		$\nabla = 0$	mm INCH	DRAWN BY DATE	TITLE LPH RECEPTACLE ASSEMBLY SIGNAL CONNECTOR		
		$\nabla = 0$	4 PLACES ± --- ± ---	BANDURA 2006/04/24			
$\nabla = 0$	3 PLACES ± --- ± ---	CHECKED BY DATE					
$\nabla = 0$	2 PLACES ± 0.25 ± ---	BANDURA 2006/04/24					
		1 PLACE ± 0.38 ± ---	APPROVED BY DATE	DOCUMENT NO. SD-45984-483			
		0 PLACE ± ±	PATEL 2006/04/28				
		ANGULAR ± 1/2°	MATERIAL NO.	SHEET NO.			
D2	REV	DRAFT WHERE APPLICABLE MUST REMAIN WITHIN DIMENSIONS	SEE CHART	3 OF 6			
			SIZE B	THIS DRAWING CONTAINS INFORMATION THAT IS PROPRIETARY TO MOLEX INCORPORATED AND SHOULD NOT BE USED WITHOUT WRITTEN PERMISSION			

9 8 7 6 5 4 3 2 1

10 9 8 7 6 5 4 3 2 1



NUMBER OF SIGNAL  
TERMINALS OPTIONAL  
(SEE CHART)

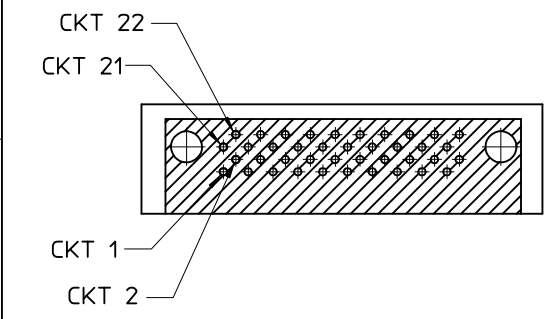
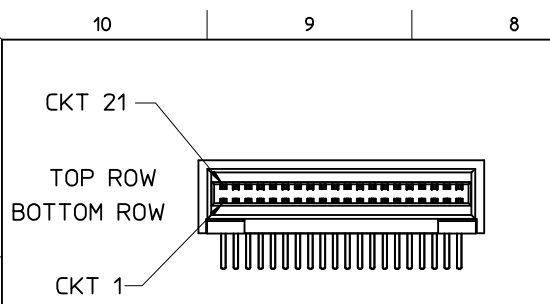
4.3  
REF

OPTIONAL PEGS

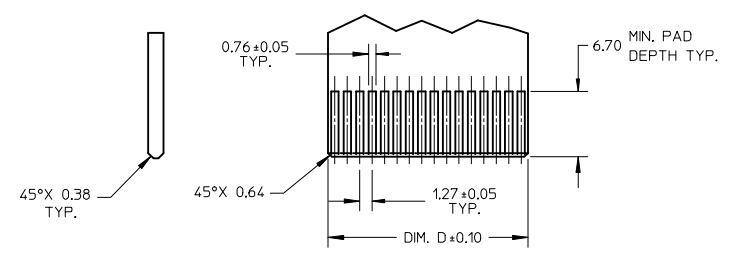
NO OF SIGNAL	MATERIAL NUMBER	DIM A	DIM C	DIM P	PCB THK
12	45984-0411	17.6	14.37	4.50	3.18
16	45984-0421	20.1	16.91		
20	45984-0431	22.6	19.45		
24	45984-0441	25.2	21.99		
28	45984-0451	27.7	24.53		
32	45984-0461	30.3	27.07		
36	45984-0471	32.8	29.61	3.60	2.36
40	45984-0481	35.4	32.15		
12	45984-0412	17.6	14.37		
16	45984-0422	20.1	16.91		
20	45984-0432	22.6	19.45		
24	45984-0442	25.2	21.99		
28	45984-0452	27.7	24.53	2.90	1.57
32	45984-0462	30.3	27.07		
36	45984-0472	32.8	29.61		
40	45984-0482	35.4	32.15		
12	45984-0413	17.6	14.37		
16	45984-0423	20.1	16.91		
20	45984-0433	22.6	19.45		
24	45984-0443	25.2	21.99		
28	45984-0453	27.7	24.53		
32	45984-0463	30.3	27.07		
36	45984-0473	32.8	29.61		
40	45984-0483	35.4	32.15		

SEE SHEET 1	EC NO: UCP2015-2190 DRAWN: JOUILLES 2014/11/25 CHKD: MBANDURA 2014/11/25 APPR: APATEL 2014/12/03	DESCRIPTION	QUALITY SYMBOLS	GENERAL TOLERANCES (UNLESS SPECIFIED)		DIMENSION STYLE		SCALE	DESIGN UNITS	THIRD ANGLE PROJECTION																	
			$\nabla = 0$ $\nabla = 0$ $\nabla = 0$	<table border="1"> <tr><th></th><th>mm</th><th>INCH</th></tr> <tr><td>4 PLACES</td><td>± ---</td><td>± ---</td></tr> <tr><td>3 PLACES</td><td>± ---</td><td>± ---</td></tr> <tr><td>2 PLACES</td><td>± 0.25</td><td>± ---</td></tr> <tr><td>1 PLACE</td><td>± 0.38</td><td>± ---</td></tr> <tr><td>0 PLACE</td><td>±</td><td>±</td></tr> </table>		mm	INCH	4 PLACES	± ---		± ---	3 PLACES	± ---	± ---	2 PLACES	± 0.25	± ---	1 PLACE	± 0.38	± ---	0 PLACE	±	±	MM ONLY		2:1	METRIC
						mm	INCH																				
					4 PLACES	± ---	± ---																				
3 PLACES	± ---	± ---																									
2 PLACES	± 0.25	± ---																									
1 PLACE	± 0.38	± ---																									
0 PLACE	±	±																									
REV	D2	DRAFT WHERE APPLICABLE MUST REMAIN WITHIN DIMENSIONS	DRAWN BY DATE		TITILE		DOCUMENT NO.	SHEET NO.																			
			BANDURA 2006/04/24		LPH RECEPTACLE ASSEMBLY SIGNAL CONNECTOR																						
			APPROVED BY DATE		MATERIAL NO.		SD-45984-483		4 OF 6																		
			PATEL 2006/04/28		SEE CHART		THIS DRAWING CONTAINS INFORMATION THAT IS PROPRIETARY TO MOLEX INCORPORATED AND SHOULD NOT BE USED WITHOUT WRITTEN PERMISSION																				

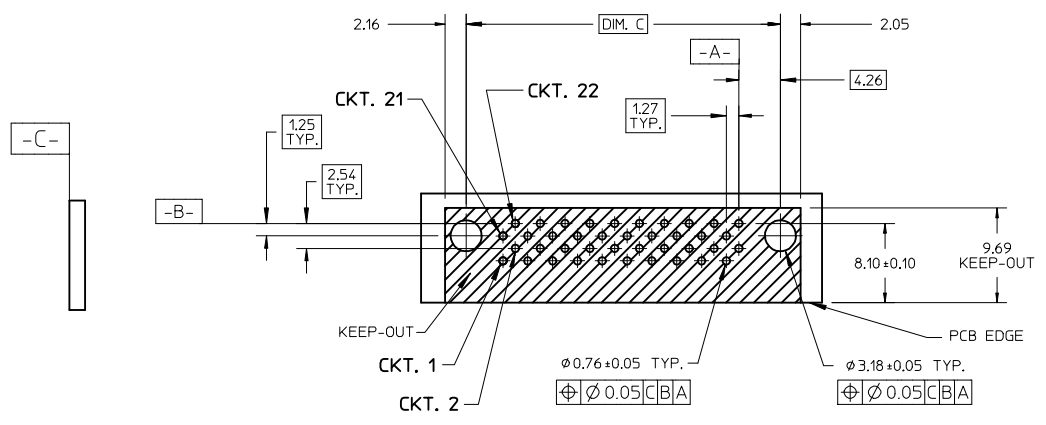
9 8 7 6 5 4 3 2 1



CIRCUIT IDENTIFICATION  
(40 CIRCUIT SHOWN)



RECOMMENDED CARD EDGE LAYOUT  
CARD EDGE THICKNESS: 1.57±0.15

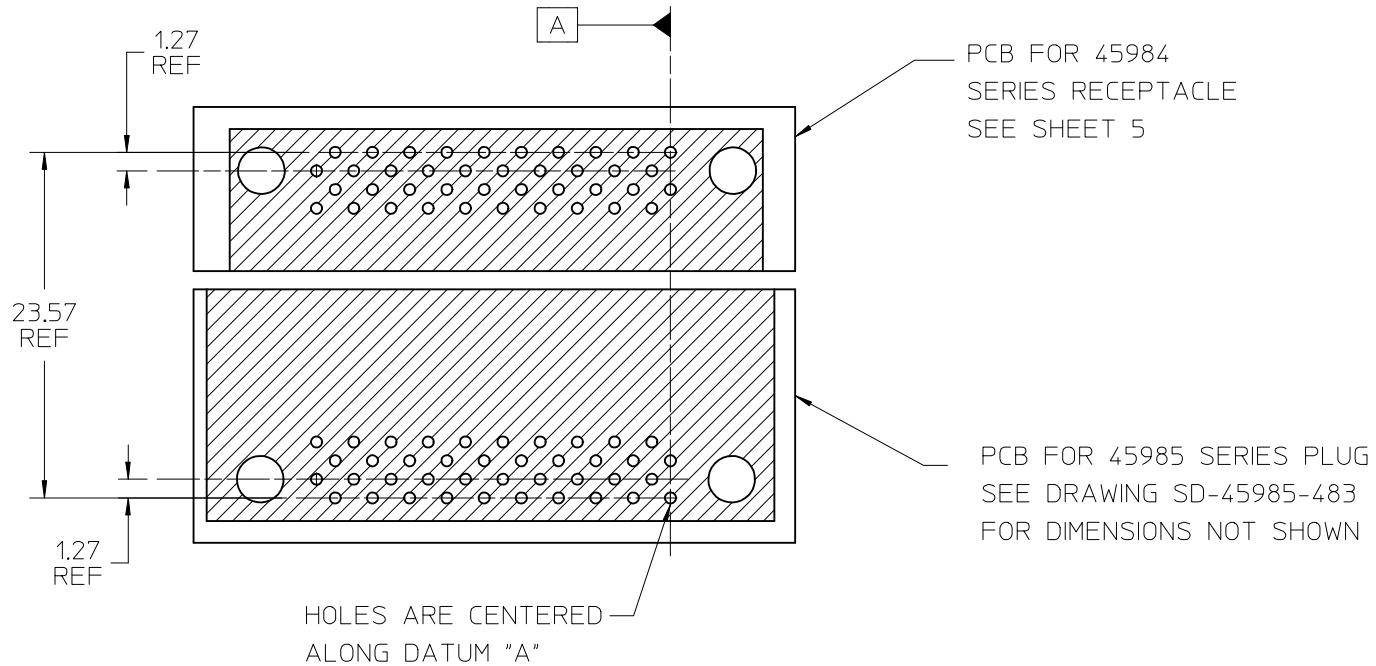


RECOMMENDED PCB LAYOUT  
SHOWN FROM COMPONENT SIDE

NO. OF SIGNAL	DIM. C	DIM. D
12	14.37	8.00
16	16.91	10.44
20	19.45	13.08
24	21.99	15.62
28	24.53	18.16
32	27.07	20.70
36	29.61	23.24
40	32.15	25.78

SEE SHEET 1 EC NO: UCP2015-2190 DRWN: JOUILLES 2014/11/25 CHKD: MBANDURA 2014/11/25 APPR: APATEL 2014/12/03	DESCRIPTION REV	QUALITY SYMBOLS	GENERAL TOLERANCES (UNLESS SPECIFIED)		DIMENSION STYLE MM ONLY		SCALE 2:1	DESIGN UNITS METRIC	THIRD ANGLE PROJECTION	
		▽=0	4 PLACES	±	---	±	---	DRAWN BY BANDURA	DATE 2006/04/24	TITLE LPH RECEPTACLE ASSEMBLY SIGNAL CONNECTOR
		▽=0	3 PLACES	±	---	±	---	CHECKED BY BANDURA	DATE 2006/04/24	
		▽=0	2 PLACES	±	0.25	±	---	APPROVED BY PATEL	DATE 2006/04/28	
			1 PLACE	±	0.38	±	---	MATERIAL NO.	DOCUMENT NO.	
	0 PLACE	±		±		SEE CHART	SD-45984-483	SHEET NO. 5 OF 6		
DRAFT WHERE APPLICABLE MUST REMAIN WITHIN DIMENSIONS			ANGULAR ±1/2°		SIZE B		THIS DRAWING CONTAINS INFORMATION THAT IS PROPRIETARY TO MOLEX INCORPORATED AND SHOULD NOT BE USED WITHOUT WRITTEN PERMISSION			

10 9 8 7 6 5 4 3 2 1



PCB ALIGNMENT VIEW

SEE SHEET 1 EC NO: UCP2015-2190 DRWN: JUILLES 2014/11/25 CHKD: MBANDURA 2014/11/25 APPR: APATEL 2014/12/03	DESCRIPTION REV	QUALITY SYMBOLS	GENERAL TOLERANCES (UNLESS SPECIFIED)		DIMENSION STYLE MM ONLY		SCALE 3:1	DESIGN UNITS METRIC	THIRD ANGLE PROJECTION		
		▽/0	4 PLACES	mm	INCH	DRAWN BY	DATE	TITLE LPH RECEPTACLE ASSEMBLY SIGNAL CONNECTOR			
		▽/0	3 PLACES	± ---	± ---	CHECKED BY	DATE				
		▽/0	2 PLACES	± 0.25	± ---	BANDURA	2006/04/24				
▽/0	1 PLACE	± 0.38	± ---	APPROVED BY	DATE						
			0 PLACE	±	±	PATEL	2006/04/28	MATERIAL NO.	DOCUMENT NO.	SHEET NO.	
			ANGULAR ±1/2°		SEE CHART		SD-45984-483		6 OF 6		
DRAFT WHERE APPLICABLE MUST REMAIN WITHIN DIMENSIONS					SIZE B		THIS DRAWING CONTAINS INFORMATION THAT IS PROPRIETARY TO MOLEX INCORPORATED AND SHOULD NOT BE USED WITHOUT WRITTEN PERMISSION				

9 8 7 6 5 4 3 2 1