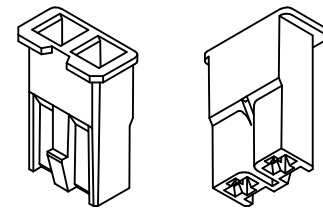
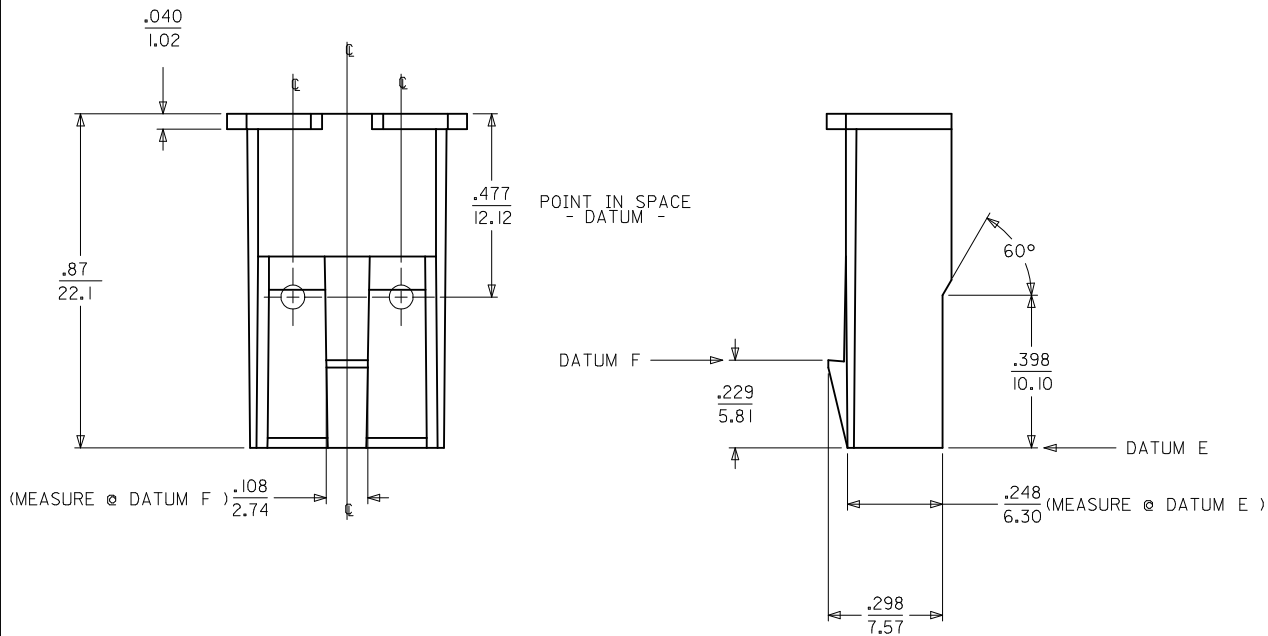
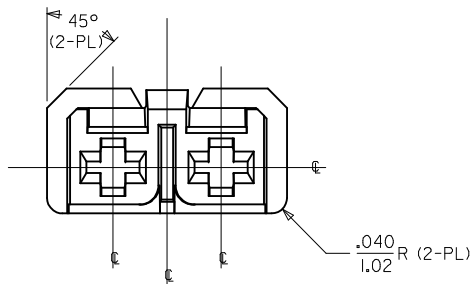


**NOTES:**

1. MATERIAL: 66 NYLON, UL94 V-2: COLOR = NATURAL.
2. FINISH: NOT APPLICABLE.
3. PRODUCT SPECIFICATION: PS-43374-001.
4. SEE SD-44421-002 FOR THE PREFERRED CONNECTION INTERFACE.
5. SEE SD-44421-003 FOR ALTERNATE, NOT PREFERRED, CONNECTION INTERFACE.
6. THIS CONNECTOR HOUSING FOR USE WITH 43374-0001 TERMINALS CRIMPED TO A SINGLE WIRE.
7. THIS PART CONFORMS TO CLASS B REQUIREMENTS OF COSMETIC SPEC PS-45499-002.



TWO VIEWS OF 444210001  
(ISOMETRIC PROJECTIONS)



<b>COSMETIC SPEC</b> EC NO: UCP2015-3430 DRWN:JDFX 2015/02/20 CHKD:BARBERSON 2015/02/20 APPR:FSMLTH 2015/02/26	QUALITY SYMBOLS	GENERAL TOLERANCES (UNLESS SPECIFIED)		DIMENSION STYLE	SCALE	DESIGN UNITS	THIRD ANGLE PROJECTION
	▽=0	mm	INCH	IN/MM	4:1	INCH	
	▽=0	4 PLACES ± --- ± ---	PELOZA 1999/06/24	DRAWN BY	DATE	TITLE	
	▽=0	3 PLACES ± --- ± .010	CHECKED BY	DATE	RECEPTACLE HOUSING 2 - CIRCUIT		
	2 PLACES ± .38 ± .015	PELOZA 1999/06/24	APPROVED BY	DATE	<b>molex</b> DOCUMENT NO. SD-44421-001 SHEET NO. 1 OF 1		
	1 PLACE ± .25 ± ---	COMERC I 1999/06/24	MATERIAL NO.				
	0 PLACE ± ±		444210001				
			ANGULAR ±1/2°				
			DRAFT WHERE APPLICABLE MUST REMAIN WITHIN DIMENSIONS				
			SIZE C				