

PLEASE CHECK WWW.MOLEX.COM FOR LATEST PART INFORMATION

Part Number: [0491021210](#)
Status: **Active**
Description: 2.50mm Pitch Male Housing, for 1.02mm Diameter Terminal, Used in Car Mirror Applications

Documents:

[3D Model](#) [Product Specification PS-104000-001-013 \(PDF\)](#)
[3D Model \(PDF\)](#) [RoHS Certificate of Compliance \(PDF\)](#)
[Drawing \(PDF\)](#)

General

Product Family Crimp Housings
 Series [49102](#)
 Application Power, Wire-to-Board
 Product Name N/A
 UPC 822348302758

Physical

Circuits (maximum) 12
 Color - Resin Natural, Yellow
 Gender Plug
 Glow-Wire Capable No
 Lock to Mating Part Yes
 Material - Resin Polyester
 Net Weight 6.200/g
 Number of Rows 2
 Packaging Type Bag
 Panel Mount Yes
 Pitch - Mating Interface 2.50mm
 Polarized to Mating Part Yes
 Stackable No
 Temperature Range - Operating -40° to +120°C

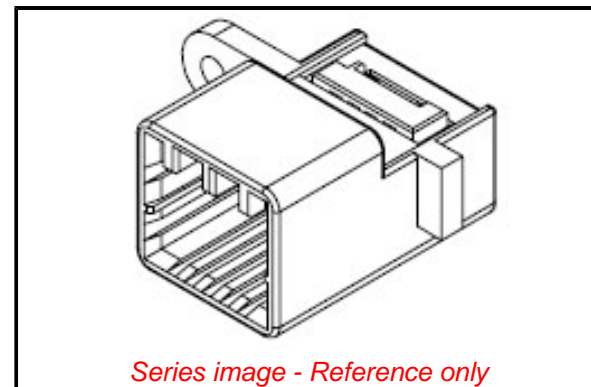
Electrical

Current - Maximum per Contact 5.0A

Material Info

Reference - Drawing Numbers

Product Specification PS-104000-001-013
 Sales Drawing SD-49102-001



EU ELV

Compliant

EU RoHS

Compliant

REACH SVHC

Not Contained Per -
 D(2020)4578-DC (25
 June 2020)

Halogen-Free

Status

Low-Halogen

For more information, please visit [Contact US](#)

China ROHS

Not Relevant

ELV

Compliant

RoHS Phthalates

Not Contained

Search Parts in this Series

[49102 Series](#)

Mates With

[640021215](#)

Use With

[506609001](#)