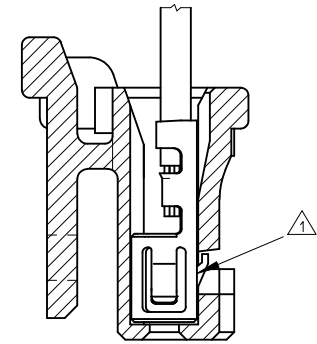
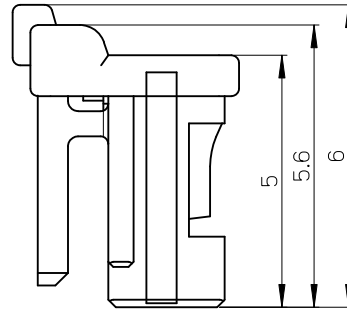
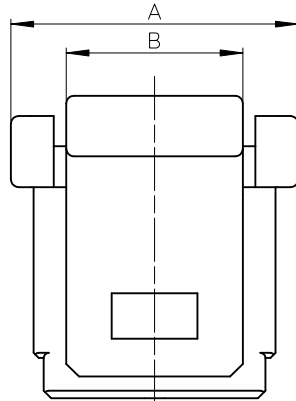
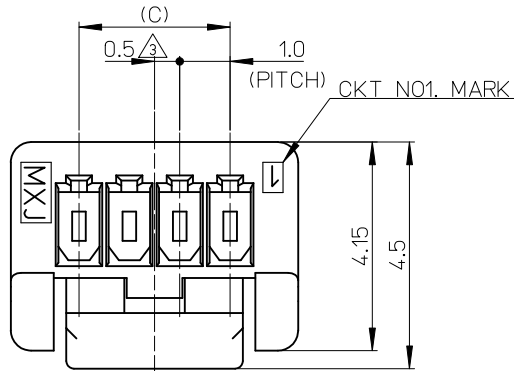


NOTES.

- ① 適合ターミナル : 501334-****
APPLICABLE TERMINAL : 501334-****
- ② 嵌合相手 : 501940/501953-****
MATE WITH : 501940/501953-****
- ③ 偶数極に適用
APPLY FOR EVEN CIRCUIT SIZE
- ④ ELV 及び RoHS適合品
ELV AND RoHS COMPLIANT.
- ⑤ 材質
MATERIAL
66ナイロン 66NYLON
ガラス無充填 GLASS FILLED 0%
UL94V-0




ターミナル装着図
TERMINAL ASSEMBLY DRAWING

| | | | |
|-----|-----|-----|----------------|
| 4.0 | 3.5 | 6.7 | 5 |
| 3.0 | | 5.7 | 4 |
| 2.0 | 2.5 | 4.7 | 3 |
| C | B | A | 極数 CIRCUITS |

CONNECTOR SERIES No. 501939-****

| | | | | | | | | |
|--|---------------------------------------|-----------------------------|----------------------------|---|---|------------------------|------------------------|--|
| REVISED EC NO: J2010-2217 DRWN:THAYU 2010/05/12 CHKD:AMIZUMURA 2010/05/13 APPR:NUKITA 2010/05/14 | GENERAL TOLERANCES (UNLESS SPECIFIED) | | DIMENSION STYLE MM ONLY | | SCALE 10:1 | DESIGN UNITS METRIC | THIRD ANGLE PROJECTION | |
| | 10 UNDER | ±0.2 | DRAWN BY NYOSHIDA | DATE 2005/09/16 | TITLE 1.0 WIRE TO BOARD CONN. 1-ROW RECPTACLE HOUSING POSITIVE LOCK MOLEX INCORPORATED DOCUMENT NO. SD-501939-001 SHEET NO. 1 OF 2 | | | |
| | 10 OVER 30 UNDER | ±0.25 | CHECKED BY AMIZUMURA | DATE 2005/09/16 | | | | |
| | 30 OVER | ±0.3 | APPROVED BY MYAGI | DATE 2005/09/16 | | | | |
| ANGULAR | ±3 ° | MATERIAL NO. SEE SHEET 2 | | | | | | |
| DRAFT WHERE APPLICABLE MUST REMAIN WITHIN DIMENSIONS | | SIZE A3 | | THIS DRAWING CONTAINS INFORMATION THAT IS PROPRIETARY TO MOLEX INCORPORATED AND SHOULD NOT BE USED WITHOUT WRITTEN PERMISSION | | | | |

| | | | | | |
|---|---|---|---|---|----------------|
| アイボリー IVORY | 紫 VIOLET | 橙 ORANGE | 茶 BROWN | 緑 GREEN | 色 COLOR |
| 501939-0530 | 501939-0539 | 501939-0538 | 501939-0537 | 501939-0536 | 5 |
| 501939-0430 | 501939-0439 | 501939-0438 | 501939-0437 | 501939-0436 | 4 |
| 501939-0330 | 501939-0339 | 501939-0338 | 501939-0337 | 501939-0336 | 3 |
| PLASTIC BAG PACKAGE オーダー番号 ORDER NO. | PLASTIC BAG PACKAGE オーダー番号 ORDER NO. | PLASTIC BAG PACKAGE オーダー番号 ORDER NO. | PLASTIC BAG PACKAGE オーダー番号 ORDER NO. | PLASTIC BAG PACKAGE オーダー番号 ORDER NO. | 極数 CIRCUITS |
| CONNECTOR SERIES No. 501939-**** | | | | | |
| 青 BLUE | 黄 YELLOW | 赤 RED | 黒 BLACK | 白 WHITE | 色 COLOR |
| 501939-0534 | 501939-0533 | 501939-0532 | | 501939-0500 | 5 |
| 501939-0434 | 501939-0433 | 501939-0432 | 501939-0431 | 501939-0400 | 4 |
| 501939-0334 | 501939-0333 | 501939-0332 | 501939-0331 | 501939-0300 | 3 |
| PLASTIC BAG PACKAGE オーダー番号 ORDER NO. | PLASTIC BAG PACKAGE オーダー番号 ORDER NO. | PLASTIC BAG PACKAGE オーダー番号 ORDER NO. | PLASTIC BAG PACKAGE オーダー番号 ORDER NO. | PLASTIC BAG PACKAGE オーダー番号 ORDER NO. | 極数 CIRCUITS |

| | | | | | | | | |
|---|---------------------------------------|--|----------------------------|---------------------------|--|------------------------|------------------------|--|
| REVISED EC NO: J2010-2217 DRWN: THANJU 2010/05/12 CHKD: KASAKAWA 2010/05/13 APPR: NUKITA 2010/05/14 | GENERAL TOLERANCES (UNLESS SPECIFIED) | | DIMENSION STYLE MM ONLY | | SCALE 10:1 | DESIGN UNITS METRIC | THIRD ANGLE PROJECTION | |
| | 10 UNDER | ± 0.2 | DRAWN BY NYOSHIDA | DATE 2005/09/16 | TITLE 1.0 WIRE TO BOARD CONN. 1-ROW RECPTACLE HOUSING POSITIVE LOCK  MOLEX INCORPORATED | | | |
| | 10 OVER 30 UNDER | ± 0.25 | CHECKED BY AMIZUMURA | DATE 2005/09/16 | | | | |
| | 30 OVER | ± 0.3 | APPROVED BY MYAGI | DATE 2005/09/16 | | | | |
| ANGULAR ±3 ° | | DRAFT WHERE APPLICABLE MUST REMAIN WITHIN DIMENSIONS | | MATERIAL NO. SEE TABLE | DOCUMENT NO. SD-501939-001 | SHEET NO. 2 OF 2 | | |