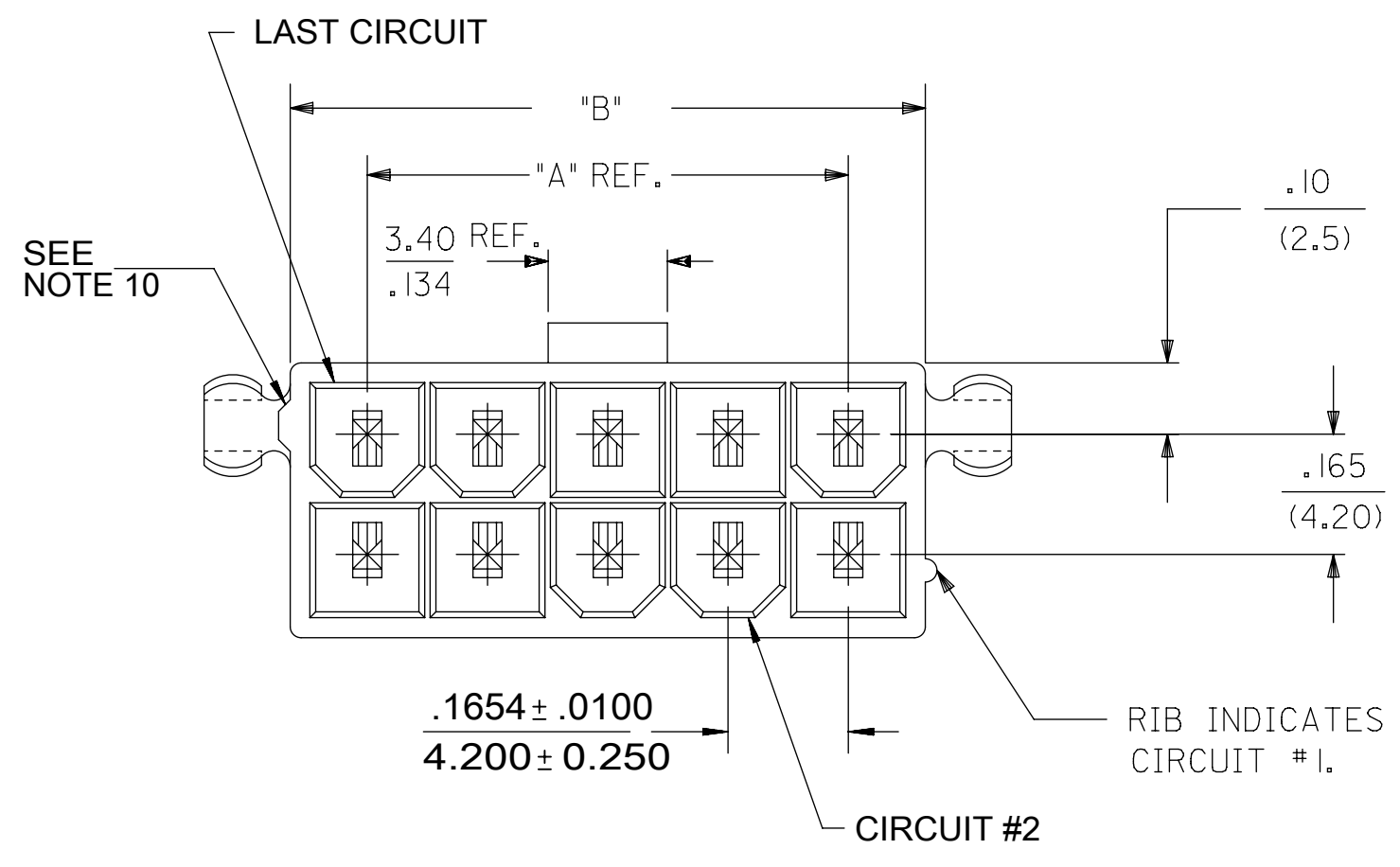
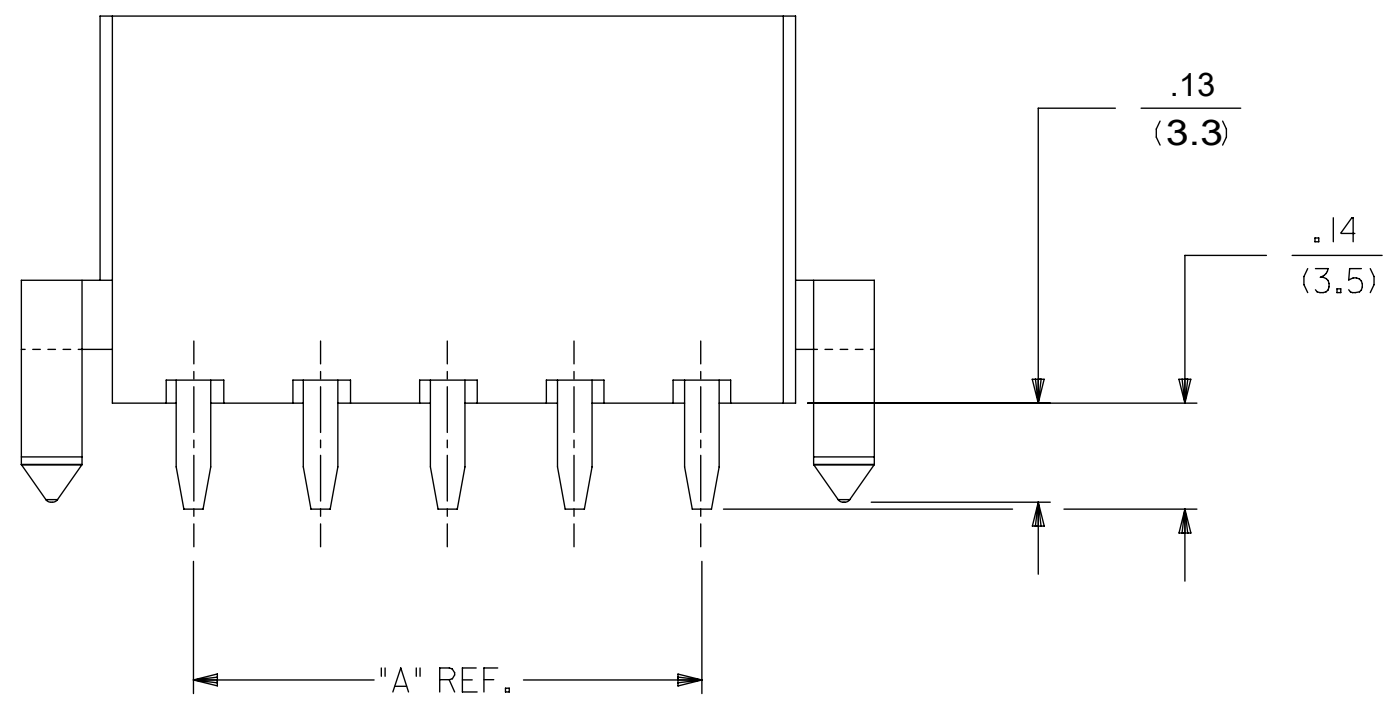


CIRCUIT SIZE	DIM. "A"	DIM. "B"	DIM. "C"
2	—	.21 (5.4)	.370 (9.40)
4	.17 (4.2)	.38 (9.6)	.535 (13.60)
6	.33 (8.4)	.54 (13.8)	.701 (17.80)
8	.50 (12.6)	.71 (18.0)	.866 (22.00)
10	.66 (16.8)	.87 (22.2)	1.031 (26.20)
12	.83 (21.0)	1.04 (26.4)	1.197 (30.40)
14	.99 (25.2)	1.20 (30.6)	1.362 (34.60)
16	1.16 (29.4)	1.37 (34.8)	1.528 (38.80)
18	1.32 (33.6)	1.54 (39.0)	1.693 (43.00)
20	1.49 (37.8)	1.70 (43.2)	1.858 (47.20)
22	1.65 (42.0)	1.87 (47.4)	2.024 (51.40)
24	1.82 (46.2)	2.03 (51.6)	2.189 (55.60)



- NOTES::
- HOUSING MATERIAL:
V-2 = NYLON 6/6, UNFILLED U.L. 94V-2, COLOR: NATURAL
V-0 = NYLON 6/6, UNFILLED U.L. 94V-0, COLOR: NATURAL
TERMINAL MATERIAL: COPPER ALLOY.
 - TERMINAL PLATING:
TIN = .000100/(.00254) MIN. MATTE TIN OVER .000050/(.00127) MIN. NICKEL OVERALL
GOLD = .000030/(.00080) MIN. SELECT GOLD, .000100/(.00254) MIN. MATTE TIN OVER .000050/(.00127) MIN. NICKEL OVERALL
 - PRODUCT SPECIFICATION:
TRAY :PS-45750-001
T&R : 55660000-RPK
 - PACKAGING SPECIFICATION: PK-5566-001.
 - PART MATES WITH MINI-FIT RECEPTACLE NO. 5557
 - PART ARE NOT TO BE MATED OR UN-MATED WHILE CIRCUITS ARE LIVE
 - PARTS TO HAVE "HCS+" MARKING
 - PART CONFORMS TO CLASS B OF COSMETIC SPECIFICATION PS-45499-002 WITH THE EXCEPTION OF DISCOLORATION, FLASH, AND SINK MEET CLASS "C" REQUIREMENTS.
 - PART IS NOT DESIGNED FOR CURRENT SHARING.
 - ANTI-SHINGLING RIB MAY OR MAY NOT APPEAR ON HOUSINGS.
 - LOCATION OF .118/3.00 DIAMETER HOLES ON P.C. BOARD IS FOR OPTIONAL PEGS.
 - TEXT ON PART IS FOR REFERENCE ONLY. TEXT AND TEXT LOCATION MAY VARY DEPENDING ON PART NUMBER AND/OR TOOL.



THIS DRAWING CONTAINS INFORMATION THAT IS PROPRIETARY TO MOLEX ELECTRONIC TECHNOLOGIES, LLC AND SHOULD NOT BE USED WITHOUT WRITTEN PERMISSION

QUALITY SYMBOLS	2021/09/02 2021/09/08 2021/09/08	GENERAL TOLERANCES (UNLESS SPECIFIED)		DIMENSION UNITS	SCALE				
				IN/MM	4:1				
= 0 = 0 = 0 = 0 = 0 = 0 = 0 = 0 = 0 = 0 = 0	EC NO: 676792 DRWN: HPANT18 CHKD: YXZHENG APPR: YXZHENG	MM	INCH	DRWN BY	DATE		VERTICAL HEADER ASSEMBLY DUAL ROW MINI-FIT PLUS HCS SERIES		
		4 PLACES ±	±	TGREGORI	2006/04/27				
3 PLACES ±	±	CHK'D BY	DATE	PRODUCT CUSTOMER DRAWING					
		2 PLACES ± 0.25	±	JCOMERCI		SERIES	MATERIAL NUMBER	CUSTOMER	
		1 PLACES ± 0.5	±	APPR BY	DATE	46015	SEE CHART	GENERAL MARKET	
		0 PLACES ±	±	FSMITH	2010/04/09	DOCUMENT NUMBER	DOC TYPE	DOC PART	SHEET NUMBER
		ANGULAR TOL = 0.5		DRAWING SIZE	THIRD ANGLE PROJECTION	SD-46015-001	PSD	000	1 OF 2
		DRAFT WHERE APPLICABLE MUST REMAIN WITHIN DIMENSIONS		C					

ITEM NO.	CKT. SIZE	HOUSING MATERIAL	PEGS	PLATING	PACKAGING
46015-0202	2	V-0	NO	TIN	TRAY
46015-0203			YES		
46015-0206		V-2	NO		
46015-0207			YES		
46015-0209	V-0	YES	GOLD		
46015-0212		NO			
46015-0402	4	V-0	NO	TIN	
46015-0403			YES		
46015-0406		V-2	NO		
46015-0407			YES		
46015-0409	V-0	YES	GOLD		
46015-0412		NO			
46015-0602	6	V-0	NO	TIN	
46015-0603			YES		
46015-0606		V-2	NO		
46015-0607			YES		
46015-0609	V-0	YES	GOLD		
46015-0612		NO			
46015-0802	8	V-0	NO	TIN	
46015-0803			YES		
46015-0806		V-2	NO		
46015-0807			YES		
46015-0809	V-0	YES	GOLD		
46015-0812		NO			
46015-1002	10	V-0	NO	TIN	
46015-1003			YES		
46015-1006		V-2	NO		
46015-1007			YES		
46015-1009	V-0	YES	GOLD		
46015-1012		NO			
46015-1202	12	V-0	NO	TIN	
46015-1203			YES		
46015-1206		V-2	NO		
46015-1207			YES		
46015-1209	V-0	YES	GOLD		
46015-1212		NO			

ITEM NO.	CKT. SIZE	HOUSING MATERIAL	PEGS	PLATING	PACKAGE
46015-0820	8	V-0	NO	GOLD	T&R

ITEM NO.	CKT SIZE	HOUSING MATERIAL	PEGS	PLATING	PACKAGING	
46015-1402	14	V-0	NO	TIN	TRAY	
46015-1403			YES			
46015-1406		V-2	NO			
46015-1407			YES			
46015-1409	V-0	YES	GOLD			
46015-1412		NO				
46015-1602	16	V-0	NO	TIN		
46015-1603			YES			
46015-1606		V-2	NO			
46015-1607			YES			
46015-1609		V-0	YES	GOLD		
46015-1612			NO			
46015-1802	18	V-0	NO	TIN		
46015-1803			YES			
46015-1806		V-2	NO			
46015-1807			YES			
46015-1809		V-0	YES			GOLD
46015-1812	NO					
46015-2002	20	V-0	NO	TIN		
46015-2003			YES			
46015-2006		V-2	NO			
46015-2007			YES			
46015-2009		V-0	YES			GOLD
46015-2012			NO			
46015-2202	22	V-0	NO	TIN		
46015-2203			YES			
46015-2206		V-2	NO			
46015-2207			YES			
46015-2209		V-0	YES		GOLD	
46015-2212	NO					
46015-2402	24	V-0	NO	TIN		
46015-2403			YES			
46015-2406		V-2	NO			
46015-2407			YES			
46015-2409		V-0	YES		GOLD	
46015-2412			NO			

RELEASE STATUS	P1	RELEASE DATE	2021/09/08	04:36:59
12		11		10

QUALITY SYMBOLS 	THIS DRAWING CONTAINS INFORMATION THAT IS PROPRIETARY TO MOLEX ELECTRONIC TECHNOLOGIES, LLC AND SHOULD NOT BE USED WITHOUT WRITTEN PERMISSION										
	EC NO: 676792 DRWN: HPAN18 CHKD: YXZHENG APPR: YXZHENG	GENERAL TOLERANCES (UNLESS SPECIFIED)		DIMENSION UNITS		SCALE					
			MM	INCH	IN/MM	4:1					
		4 PLACES ± ±		DRWN BY		DATE	VERTICAL HEADER ASSEMBLY DUAL ROW MINI-FIT PLUS HCS SERIES PRODUCT CUSTOMER DRAWING				
		3 PLACES ± ±		TGREGORI		2006/04/27					
	2 PLACES ± 0.25 ±		CHK'D BY		DATE						
	1 PLACES ± 0.5 ±		JCOMERCI								
	0 PLACES ± ±		APPR BY		DATE	SERIES MATERIAL NUMBER CUSTOMER					
	ANGULAR TOL = 0.5		FSMITH		2010/04/09	46015	SEE CHART		GENERAL MARKET		
	DRAFT WHERE APPLICABLE MUST REMAIN WITHIN DIMENSIONS		DRAWING SIZE		THIRD ANGLE PROJECTION	DOCUMENT NUMBER		DOC TYPE	DOC PART	SHEET NUMBER	
C6	C	C			SD-46015-001		PSD	000	2 OF 2		