

5-1393738-9 ✓ ACTIVE



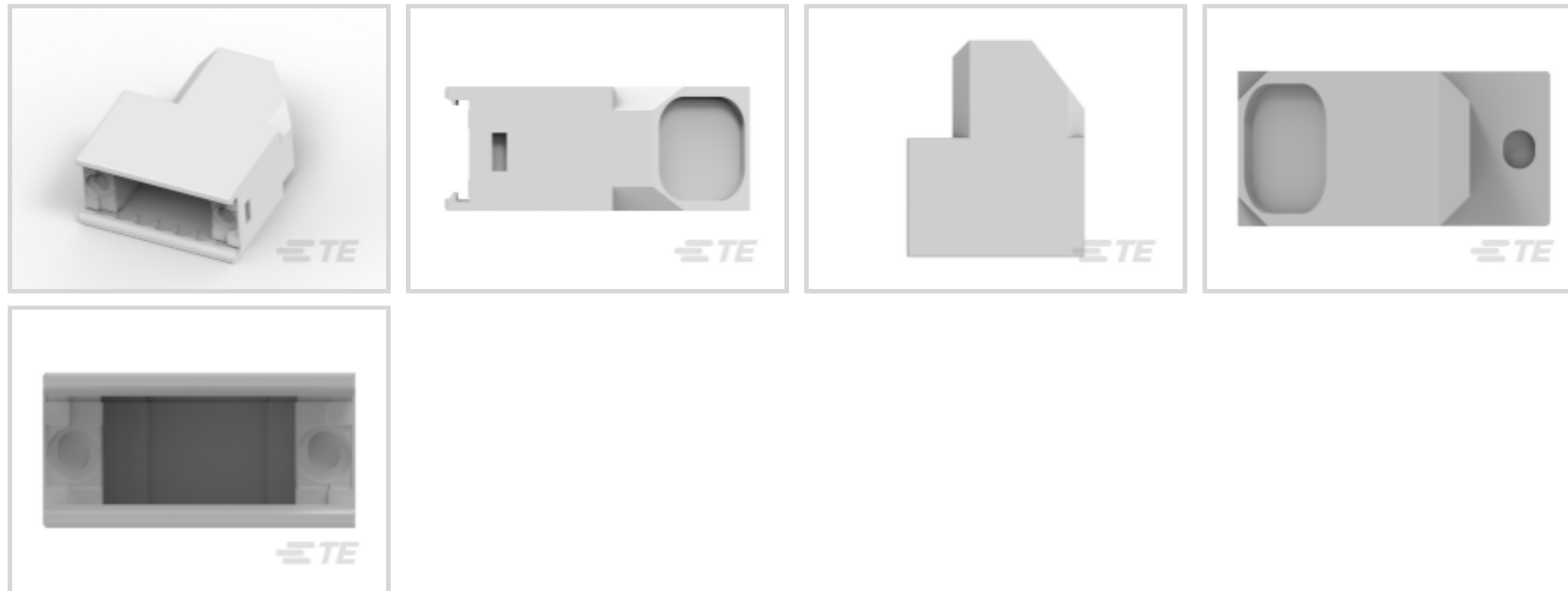
AMPLIMITE

TE Internal #: 5-1393738-9

D-Sub Backshells & Clamps, Backshell, Two-Piece RFI/EMI Shield, 9 Position, Size 1, Shielded, Cable Exit Angle 37.5°, Wire & Cable

[View on TE.com >](#)

Connectors > D-Shaped Connectors > D-Sub Accessories > D-Sub Backshells & Clamps



D-Shaped Connector Accessories: **Backshell**

Cable Clamp Type: **Two-Piece RFI/EMI Shield**

Number of Positions: **9**

Compatible With Connector Shell Size: **1**

Shielded: **Yes**

Features

Product Type Features

Grommets	Without
Slide Latch	Without
Product Type	Backshell/Cable Clamp
D-Shaped Connector Accessories	Backshell
Connector & Contact Terminates To	Wire & Cable

Configuration Features

Number of Positions	9
---------------------	---

Body Features

Shield Plating Material	Nickel over Copper
Cable Clamp Material	Thermoplastic with Shielding Plates
Color	Gray
Shield Plating Finish	Bright
Cable Clamp Type	Two-Piece RFI/EMI Shield
Cable Exit Angle	37.5°



Mechanical Attachment

Screw & Hole Thread Size	14702
--------------------------	-------

Dimensions

Cable Insulation Diameter Range	4 – 8 mm [.158 – .315 in]
---------------------------------	---------------------------

Operation/Application

Compatible With Connector Shell Size	1
Shielded	Yes

Packaging Features

Packaging Quantity	200
Packaging Method	Box

Other

Comment	Knurled screws, cable bushing (grommet) and contact tube must be ordered separately.
---------	--

Product Compliance

[For compliance documentation, visit the product page on TE.com>](#)

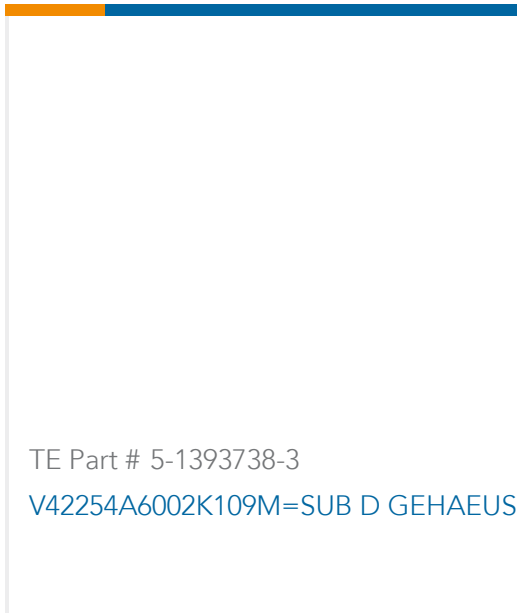
EU RoHS Directive 2011/65/EU	Compliant
EU ELV Directive 2000/53/EC	Compliant
China RoHS 2 Directive MIIT Order No 32, 2016	No Restricted Materials Above Threshold
EU REACH Regulation (EC) No. 1907/2006	Current ECHA Candidate List: JUNE 2022 (224) Candidate List Declared Against: JUN 2020 (209) SVHC > Threshold: Not Yet Reviewed
Halogen Content	Low Halogen - Br, Cl, F, I < 900 ppm per homogenous material. Also BFR/CFR/PVC Free
Solder Process Capability	Not applicable for solder process capability

Product Compliance Disclaimer

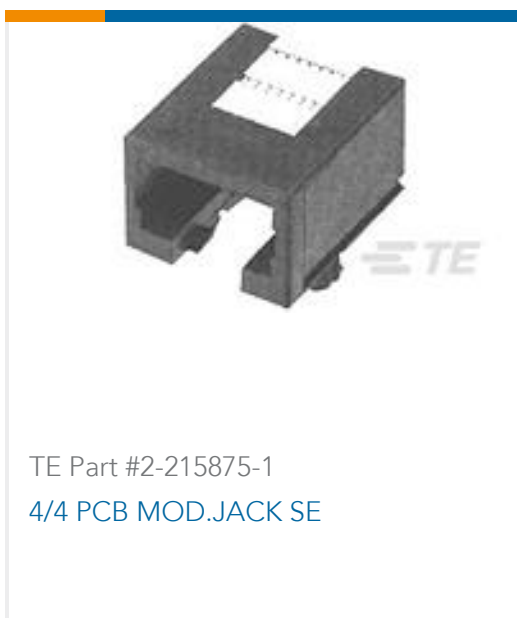
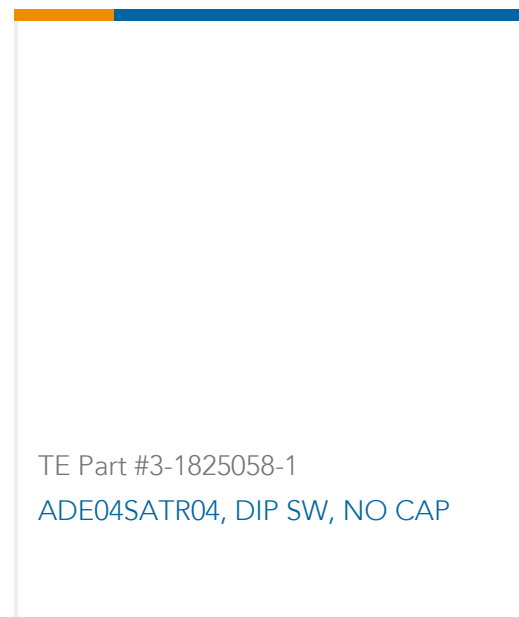
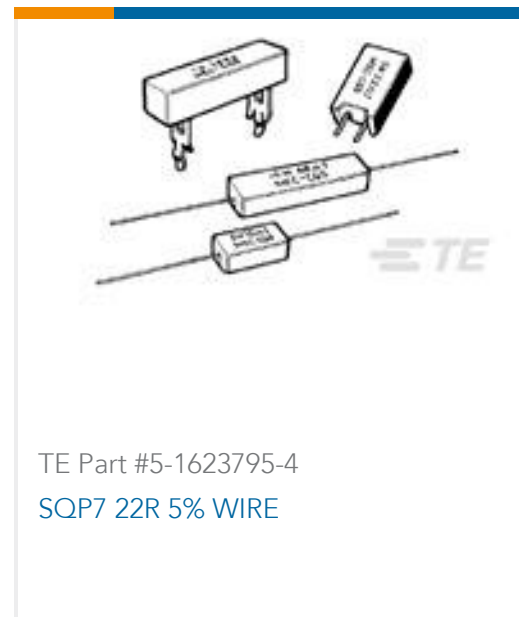
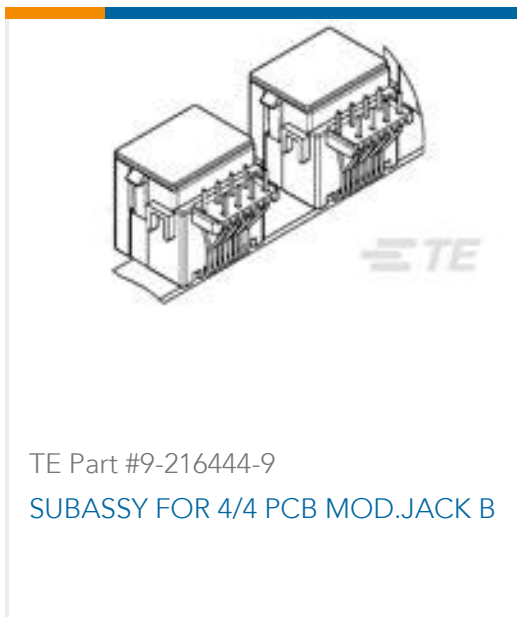
This information is provided based on reasonable inquiry of our suppliers and represents our current actual knowledge based on the information they provided. This information is subject to change. The part numbers that TE has identified as EU RoHS compliant have a maximum concentration of 0.1% by weight in homogenous materials for lead, hexavalent chromium, mercury, PBB, PBDE, DBP, BBP, DEHP, DIBP, and 0.01% for cadmium, or qualify for an exemption to these limits as defined in the Annexes of Directive 2011/65/EU (RoHS2). Finished electrical and electronic equipment products will be CE marked as required by Directive 2011/65/EU. Components may not be CE marked. Additionally, the part numbers that TE has identified as EU ELV compliant have a maximum concentration of 0.1% by weight in homogenous materials for lead, hexavalent chromium, and mercury, and 0.01% for cadmium, or qualify for an exemption to these limits

as defined in the Annexes of Directive 2000/53/EC (ELV). Regarding the REACH Regulation, the information TE provides on SVHC in articles for this part number is based on the latest European Chemicals Agency (ECHA) 'Guidance on requirements for substances in articles' posted at this URL: <https://echa.europa.eu/guidance-documents/guidance-on-reach>

Compatible Parts



Customers Also Bought



Documents

Product Drawings

V42254A6004G109=SUB D GEHAEUSE

English



CAD Files

3D PDF

3D

Customer View Model

[ENG_CVM_CVM_5-1393738-9_B.2d_dxf.zip](#)

English

Customer View Model

[ENG_CVM_CVM_5-1393738-9_B.3d_igs.zip](#)

English

Customer View Model

[ENG_CVM_CVM_5-1393738-9_B.3d_stp.zip](#)

English

By downloading the CAD file I accept and agree to the [Terms and Conditions](#) of use.

Instruction Sheets

[mounting guideline for d-Sub housings](#)

English

[Instruction Sheet \(U.S.\)](#)

English