

**PLEASE CHECK WWW.MOLEX.COM FOR LATEST PART INFORMATION**

**Part Number:** **5005930400**  
**Status:** **Active**  
**Overview:** CP Wire-to-Board and Wire-to-Wire Connector Systems  
**Description:** 2.50mm Pitch CP-2.5 Mini Wire-to-Wire Plug Housing, Single Row, 4 Circuits

**Documents:**

[3D Model](#) [Product Specification PS-500592-001-001 \(PDF\)](#)  
[3D Model \(PDF\)](#) [Packaging Specification 5005939200-200 \(PDF\)](#)  
[Drawing \(PDF\)](#) [RoHS Certificate of Compliance \(PDF\)](#)

**General**

Product Family Crimp Housings  
Series [500593](#)  
Application Signal, Wire-to-Wire  
Overview CP Wire-to-Board and Wire-to-Wire Connector Systems  
Product Name CP-2.5 Mini  
UPC 756054725023

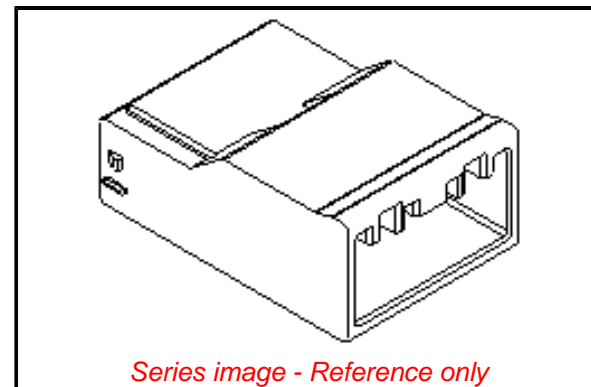
**Physical**

Circuits (maximum) 4  
Color - Resin Natural  
Gender Plug  
Glow-Wire Capable No  
Material - Resin Polyester  
Net Weight 1514.800/mg  
Number of Rows 1  
Packaging Type Bag  
Panel Mount No  
Pitch - Mating Interface 2.50mm  
Temperature Range - Operating -40° to +85°C

**Material Info**

**Reference - Drawing Numbers**

Packaging Specification [5005939200-200](#)  
Product Specification [PS-500592-001-001](#)  
Sales Drawing [SD-500593-001](#)



*Series image - Reference only*

**EU ELV**

**Not Relevant**

**EU RoHS**

**Compliant**

**REACH SVHC**

Not Contained Per -  
D(2020)4578-DC (25  
June 2020)

**Halogen-Free**

**Status**

**Not Low-Halogen**

For more information, please visit [Contact US](#)

China ROHS

ELV

RoHS Phthalates

**China RoHS**

Green Image

Not Relevant

Not Contained

**Search Parts in this Series**

[500593](#) Series

**Mates With**

CP-2.5 Mini Receptacle Housing [500592](#)

**Use With**

Male Crimp Terminal [50398](#) <br> TPA  
Retainer [500817](#)