

注記
NOTES

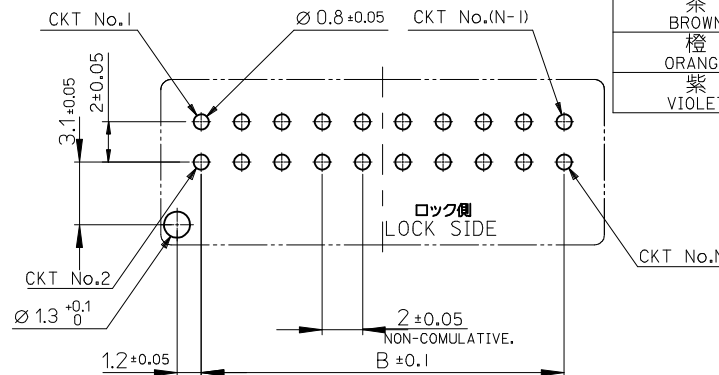
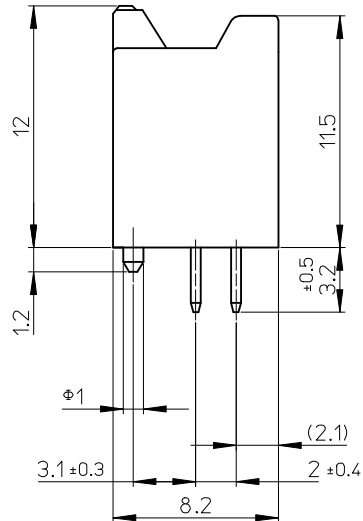
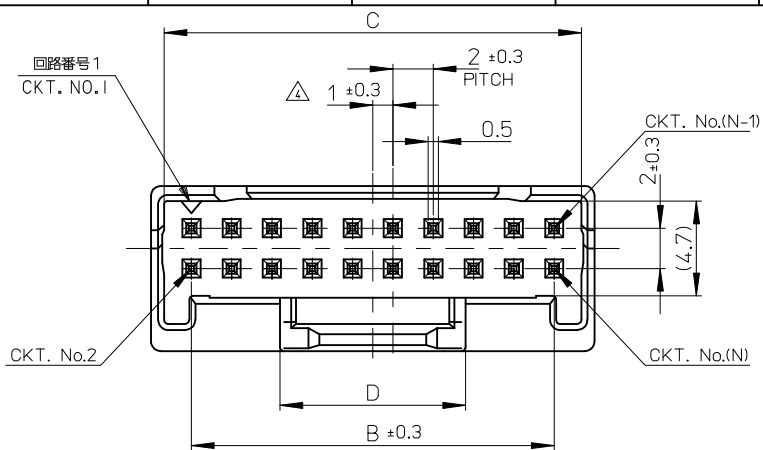
- 材料 MATERIAL
ピン : 黄銅, 銅下地鍍メッキ
PIN : BRASS, REFLOWED TIN OVER COPPER PLATED
ハウジング : 66ナイロン(ガラス入り), UL94V-0
HOUSING : 66NYLON (G.F.), UL94V-0
- 嵌合相手 MATES WITH

REC. CRIMP HOUSING	501646 SERIES
REC. CRIMP TERMINAL	
AWG #22-26 TIN PLATING	501647 SERIES
AWG #26-28 TIN PLATING	501648 SERIES

△ 製品番号
MATERIAL NO.
501645-2***
極数 CIRCUIT SIZE 色 COLOR

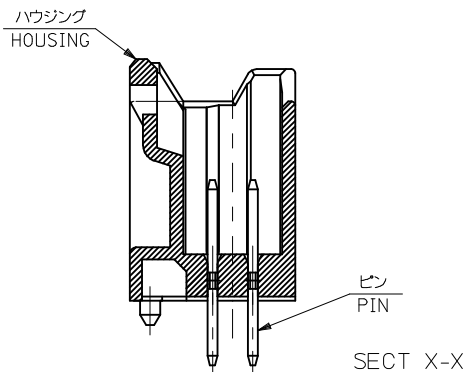
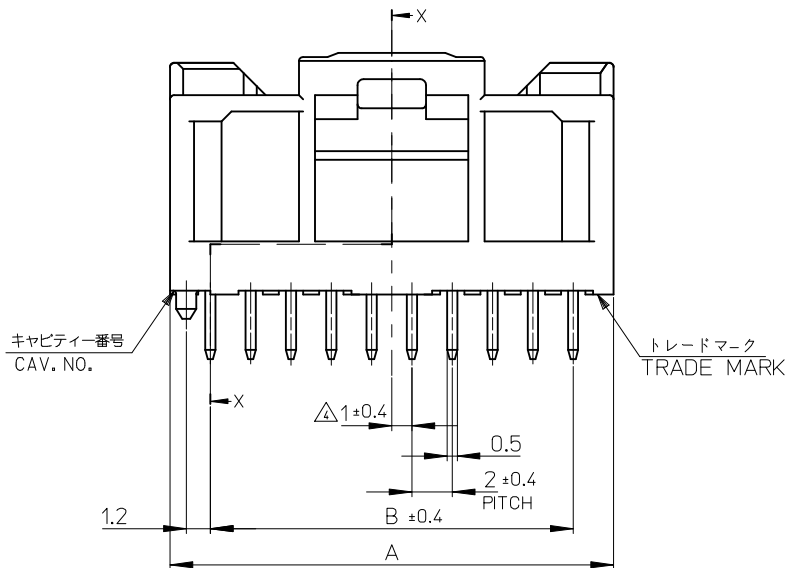
- (全極数/2) = 偶数の場合に適用。
APPLY FOR (CIRCUIT/2)=EVEN
- ELV及びRoHS 適合品
ELV AND ROHS COMPLIANT.

ナチュラル NATURAL	0
黒 BLACK	1
赤 RED	2
黄 YELLOW	3
青 BLUE	4
桃 PINK	5
緑 GREEN	6
茶 BROWN	7
橙 ORANGE	8
紫 VIOLET	9



基板取付穴推奨寸法 (マウント面)
RECOMMENDED P.C. BOARD
HOLE DIMENSION
(MOUNTING SIDE)
(t=1.2~1.6)

9.2	40.7	38	42	501645-402*	40
9.2	38.7	36	40	-382*	38
9.2	36.7	34	38	-362*	36
9.2	34.7	32	36	-342*	34
9.2	32.7	30	34	-322*	32
9.2	30.7	28	32	-302*	30
9.2	28.7	26	30	-282*	28
9.2	26.7	24	28	-262*	26
9.2	24.7	22	26	-242*	24
9.2	22.7	20	24	-222*	22
9.2	20.7	18	22	-202*	20
9.2	18.7	16	20	-182*	18
9.2	16.7	14	18	-162*	16
9.2	14.7	12	16	-142*	14
9.2	12.7	10	14	-122*	12
7.3	10.7	8	12	501645-102*	10
				△ MATERIAL NO. CKT.	



REVISED EC NO: J2017-0032 DRWN:IDA 2016/07/01 CHKD:SAKIYAMA 2016/07/01 APPR:KANAKO 2016/07/12	GENERAL TOLERANCES (UNLESS SPECIFIED)		DIMENSION STYLE MM ONLY		SCALE 4:1		DESIGN UNITS METRIC		THIRD ANGLE PROJECTION	
	0.25 UNDER	UNDER	± 0.03	DRAWN BY N. ITO	DATE 05/07/04	TITLE IGRID 2.0MM W/B DUAL DIP PLUG ASSY ST(WITH BOSS)				
	0.25 OVER	0.5 UNDER	± 0.05	CHECKED BY ASAKAWA	DATE 05/07/04					
	0.5 OVER	1.0 UNDER	± 0.1	APPROVED BY ICHIKAWA	DATE 05/07/04					
	1.0 OVER	10 UNDER	± 0.2	MATERIAL NO. 501645-**2*	DOCUMENT NO. SD-501645-001					
10 OVER	30 UNDER	± 0.25	SIZE A3		THIS DRAWING CONTAINS INFORMATION THAT IS PROPRIETARY TO MOLEX ELECTRONIC TECHNOLOGIES, LLC AND SHOULD NOT BE USED WITHOUT WRITTEN PERMISSION					
30 OVER		± 0.3	DRAFT WHERE APPLICABLE MUST REMAIN WITHIN DIMENSIONS							