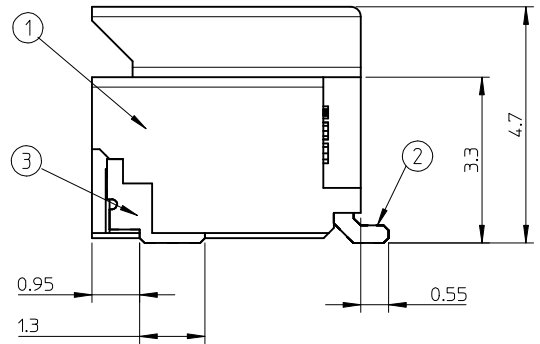
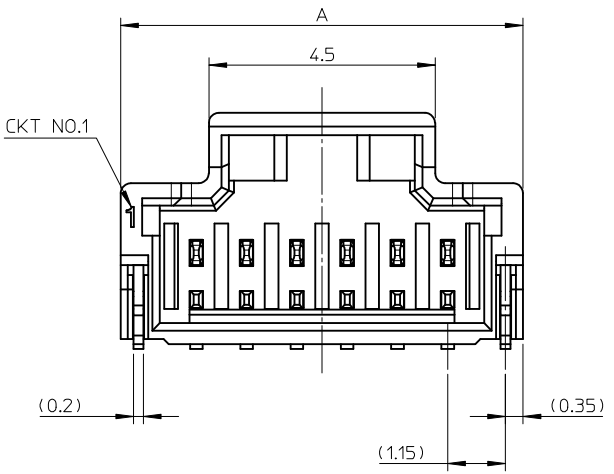


参考パターンレイアウト
RECOMMENDED PATTERN DIM.(REF)
SCALE:5-1



番号 NO.	部品 PART	材質 MATERIAL
①	ウェハー WAFER	耐熱ナイロン、UL94V-0 HEAT RESISTANCE NYLON, UL94V-0
②	ソルダーピン SOLDER PIN	りん青銅 PHOSPHOR BRONZE すずメッキ : 1 MICRO METER MINIMUM. TIN PLATING ニッケル下地メッキ : 1 MICRO METER MINIMUM. NICKEL UNDER PLATING
③	ネイル NAIL	黄銅 BRASS すずメッキ : 1 MICRO METER MINIMUM. TIN PLATING ニッケル下地メッキ : 1 MICRO METER MINIMUM. NICKEL UNDER PLATING

14.0	17.0	15
13.0	16.0	14
12.0	15.0	13
11.0	14.0	12
10.0	13.0	11
9.0	12.0	10
8.0	11.0	9
7.0	10.0	8
6.0	9.0	7
5.0	8.0	6
B	A	極数 CIRCUITS

NOTES
~~~~~

1. かん相手 : 501330-\*\*\*\*  
MATE WITH : 501330-\*\*\*\*
2. ソルダーピン及びネイルの平坦度は0.1MAX.  
SOLDER PIN AND NAIL COPLANARITY TO BE 0.1MAX.
3. 極数 = 偶数に適用  
APPLY FOR CKT SIZE=EVEN
4. 2~5極は、SD-501568-001を参照下さい。  
REFER TO SD-501568-001 ABOUT 2-5CKT.
5. ELV AND RoHS COMPLIANT.

|                                                                                                                       |                                                      |                            |                    |                                                                     |                                                                                                                               |
|-----------------------------------------------------------------------------------------------------------------------|------------------------------------------------------|----------------------------|--------------------|---------------------------------------------------------------------|-------------------------------------------------------------------------------------------------------------------------------|
| REVISED<br>EC NO: J2010-0339<br>DRWN: INAKAGAWA01 2009/09/01<br>CHKD: MATSUMOTO 2009/09/01<br>APPR: HIRATA 2009/09/01 | GENERAL TOLERANCES (UNLESS SPECIFIED)                | DIMENSION STYLE<br>MM ONLY | SCALE<br>10:1      | DESIGN UNITS<br>METRIC                                              | THIRD ANGLE PROJECTION                                                                                                        |
|                                                                                                                       | 10 UNDER ±0.2                                        | DRAWN BY<br>AMIZUMURA      | DATE<br>2005/01/19 | TITLE<br>1.0 WIRE TO BOARD CONN.<br>1-ROW R/A WAFER ASSY<br>6-15CKT |                                                                                                                               |
|                                                                                                                       | 10 OVER 30 UNDER ±0.25                               | CHECKED BY<br>MYAGI        | DATE<br>2005/01/19 | MOLEX INCORPORATED                                                  |                                                                                                                               |
|                                                                                                                       | 30 OVER ±0.3                                         | APPROVED BY<br>ANODA       | DATE<br>2005/01/19 | DOCUMENT NO.<br>SD-501568-002                                       | SHEET NO.<br>1 OF 2                                                                                                           |
| ANGULAR ±3 °                                                                                                          | DRAFT WHERE APPLICABLE MUST REMAIN WITHIN DIMENSIONS |                            | SEE SHEET 2        |                                                                     | THIS DRAWING CONTAINS INFORMATION THAT IS PROPRIETARY TO MOLEX INCORPORATED AND SHOULD NOT BE USED WITHOUT WRITTEN PERMISSION |

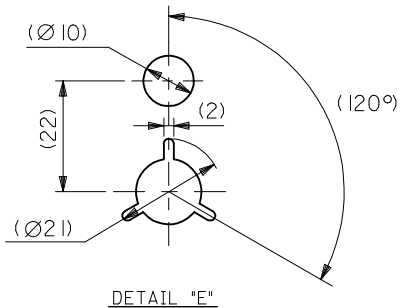
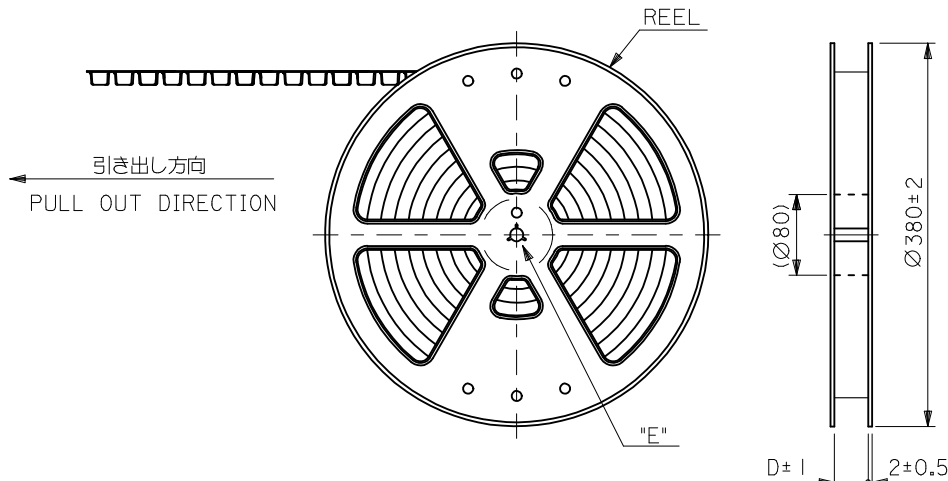
| 紫 PA46<br>VIOLET  | 橙 PA46<br>ORANGE  | 茶 PA46<br>BROWN   | 緑 PA46<br>GREEN   | 色<br>COLOR |
|-------------------|-------------------|-------------------|-------------------|------------|
| 501568-1597       | 501568-1587       | 501568-1577       | 501568-1567       | 15         |
| 501568-1497       | 501568-1487       | 501568-1477       | 501568-1467       | 14         |
| 501568-1397       | 501568-1387       | 501568-1377       | 501568-1367       | 13         |
| 501568-1297       | 501568-1287       | 501568-1277       | 501568-1267       | 12         |
| 501568-1197       | 501568-1187       | 501568-1177       | 501568-1167       | 11         |
| 501568-1097       | 501568-1087       | 501568-1077       | 501568-1067       | 10         |
| 501568-0997       | 501568-0987       | 501568-0977       | 501568-0967       | 9          |
| 501568-0897       | 501568-0887       | 501568-0877       | 501568-0867       | 8          |
| 501568-0797       | 501568-0787       | 501568-0777       | 501568-0767       | 7          |
| 501568-0697       | 501568-0687       | 501568-0677       | 501568-0667       | 6          |
| EMBOSSSED PACKAGE | EMBOSSSED PACKAGE | EMBOSSSED PACKAGE | EMBOSSSED PACKAGE | 極数         |
| オーダー番号 ORDER NO.  | オーダー番号 ORDER NO.  | オーダー番号 ORDER NO.  | オーダー番号 ORDER NO.  | CIRCUITS   |

CONNECTOR SERIES No. 501568-\*\*\*9

| 青 PA46<br>BLUE    | 黄 PA46<br>YELLOW  | 赤 PA46<br>RED     | 黒 PA46<br>BLACK   | 自然色 PA6T<br>NATURAL | 色<br>COLOR |
|-------------------|-------------------|-------------------|-------------------|---------------------|------------|
| 501568-1547       | 501568-1537       | 501568-1527       |                   | 501568-1507         | 15         |
| 501568-1447       | 501568-1437       | 501568-1427       |                   | 501568-1407         | 14         |
| 501568-1347       | 501568-1337       | 501568-1327       |                   | 501568-1307         | 13         |
| 501568-1247       | 501568-1237       | 501568-1227       |                   | 501568-1207         | 12         |
| 501568-1147       | 501568-1137       | 501568-1127       |                   | 501568-1107         | 11         |
| 501568-1047       | 501568-1037       | 501568-1027       |                   | 501568-1007         | 10         |
| 501568-0947       | 501568-0937       | 501568-0927       | 501568-0917       | 501568-0907         | 9          |
| 501568-0847       | 501568-0837       | 501568-0827       | 501568-0817       | 501568-0807         | 8          |
| 501568-0747       | 501568-0737       | 501568-0727       |                   | 501568-0707         | 7          |
| 501568-0647       | 501568-0637       | 501568-0627       | 501568-0617       | 501568-0607         | 6          |
| EMBOSSSED PACKAGE | EMBOSSSED PACKAGE | EMBOSSSED PACKAGE | EMBOSSSED PACKAGE | EMBOSSSED PACKAGE   | 極数         |
| オーダー番号 ORDER NO.  | オーダー番号 ORDER NO.  | オーダー番号 ORDER NO.  | オーダー番号 ORDER NO.  | オーダー番号 ORDER NO.    | CIRCUITS   |

CONNECTOR SERIES No. 501568-\*\*\*9

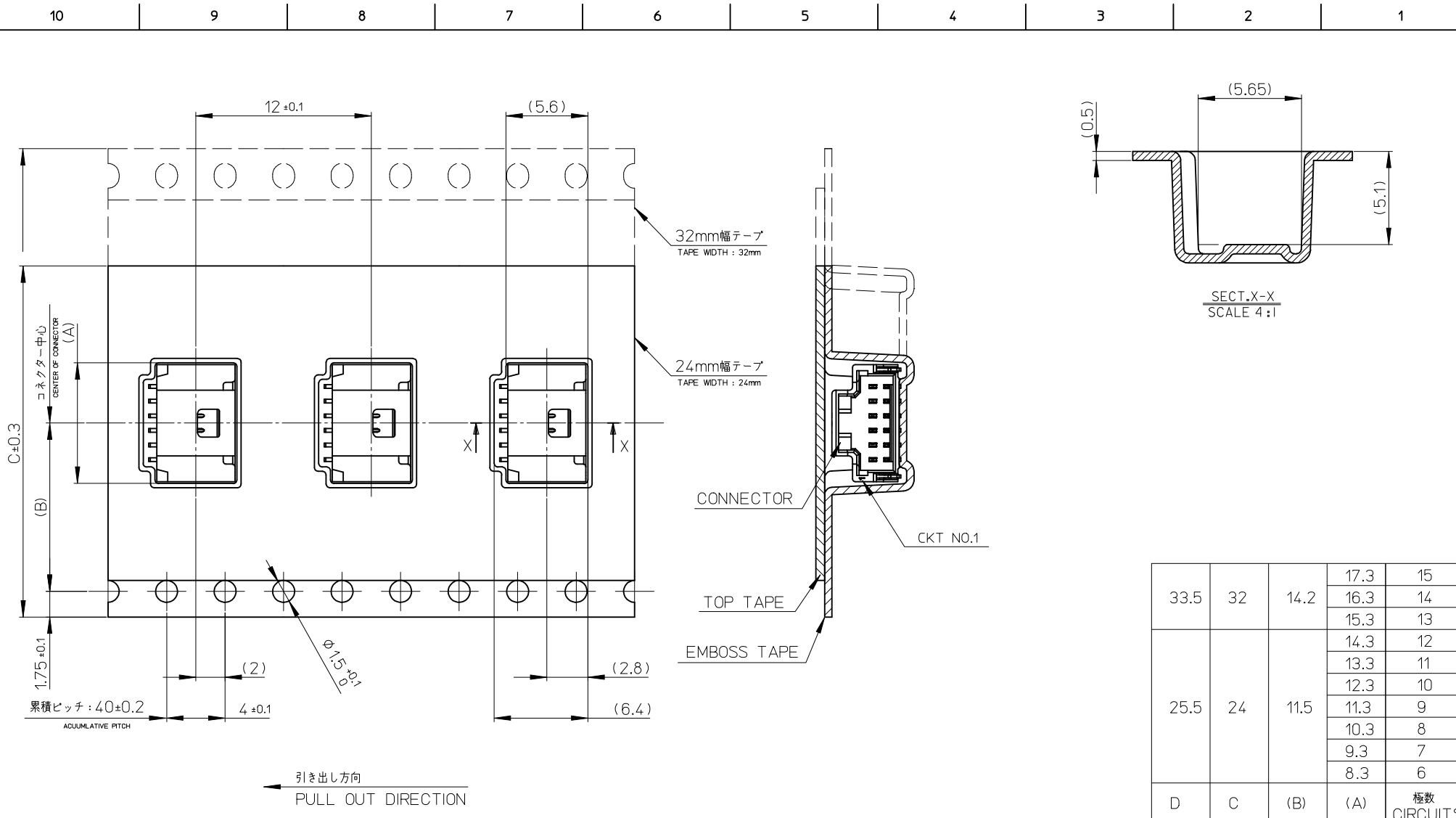
|                                                                                                                       |                                       |              |                                   |                                                                                                                               |                                                                                                                |                        |
|-----------------------------------------------------------------------------------------------------------------------|---------------------------------------|--------------|-----------------------------------|-------------------------------------------------------------------------------------------------------------------------------|----------------------------------------------------------------------------------------------------------------|------------------------|
| REVISED<br>EC NO: J2010-0339<br>DRWN: TNAGAWA01 2009/09/01<br>CHKD: HMATSUMOTO 2009/09/01<br>APPR: HHIRATA 2009/09/01 | GENERAL TOLERANCES (UNLESS SPECIFIED) |              | DIMENSION STYLE<br><b>MM ONLY</b> | SCALE<br><b>1:1</b>                                                                                                           | DESIGN UNITS<br><b>METRIC</b>                                                                                  | THIRD ANGLE PROJECTION |
|                                                                                                                       | 10 UNDER                              | ±0.2         | DRAWN BY<br>AMIZUMURA             | DATE<br>2005/01/19                                                                                                            | TITLE<br><b>1.0 WIRE TO BOARD CONN.<br/>                 1-ROW R/A WAFER ASSY<br/>                 6-15CKT</b> |                        |
|                                                                                                                       | 10 OVER 30 UNDER                      | ±0.25        | CHECKED BY<br>MYAGI               | DATE<br>2005/01/19                                                                                                            |                                                                                                                |                        |
|                                                                                                                       | 30 OVER                               | ±0.3         | APPROVED BY<br>ANODA              | DATE<br>2005/01/19                                                                                                            | MOLEX INCORPORATED<br>SD-501568-002                                                                            |                        |
| ANGULAR                                                                                                               | ±3°                                   | MATERIAL NO. | DOCUMENT NO.                      | SHEET NO.<br>2 OF 2                                                                                                           |                                                                                                                |                        |
| DRAFT WHERE APPLICABLE MUST REMAIN WITHIN DIMENSIONS                                                                  |                                       |              | SIZE<br><b>A3</b>                 | THIS DRAWING CONTAINS INFORMATION THAT IS PROPRIETARY TO MOLEX INCORPORATED AND SHOULD NOT BE USED WITHOUT WRITTEN PERMISSION |                                                                                                                |                        |



NOTES

- 製品詳細寸法は製品単体図面を参照して下さい。  
FOR DETAIL OF CONNECTOR DIMENSIONS, PLEASE SEE THE DRAWING OF CONNECTOR ITSELF (NOT PACKAGED).
- 梱包数量：1300個/リール  
NUMBER OF CONNECTORS：1300PIECES/REEL
- リードテープ長さ  
LEAD TAPE LENGTH
- 材料  
MATERIAL  
キャリアテープ：ポリプロピレン  
CARRIER TAPE: POLYPROPYLENE  
トップテープ：PET, PE, REF  
TOP TAPE  
リール：ポリスチレン <リサイクル材を含む>  
REEL: POLYSTYRENE <RECYCLE MATERIAL CONTAINED>
- ELV AND RoHS COMPLIANT.
- ハイバリア梱包(シリカゲル入り)対応品である。(501568-\*\*07除く)  
THIS PRODUCT IS HIGH BARRIER PACKAGE.(WITH SILICAGEL)  
(BESIDES 501568-\*\*07)
- 開梱後の保管条件に注意のこと。(ハイバリア品対象:PS-501568-001参照)  
REFER TO PS-501568-001(HIGH BARRIER PRODUCT)  
FOR CONDITIONS AFTER OPEN.

|                                                                                                                         |                                       |                                                                                                                               |                             |                               |                                                                          |                        |                        |  |
|-------------------------------------------------------------------------------------------------------------------------|---------------------------------------|-------------------------------------------------------------------------------------------------------------------------------|-----------------------------|-------------------------------|--------------------------------------------------------------------------|------------------------|------------------------|--|
| REVISED<br>EC NO: J2010-0339<br>DRWN: TNAKAGAWA01 2009/09/01<br>CHKD: HMATSUMOTO 2009/09/01<br>APPR: HHIRATA 2009/09/01 | GENERAL TOLERANCES (UNLESS SPECIFIED) |                                                                                                                               | DIMENSION STYLE<br>MM ONLY  |                               | SCALE<br>---                                                             | DESIGN UNITS<br>METRIC | THIRD ANGLE PROJECTION |  |
|                                                                                                                         | 10 UNDER                              | ±0.2                                                                                                                          | DRAWN BY<br>AMIZUMURA       | DATE<br>2005/11/26            | TITLE<br>1.0 WIRE TO BOARD CONN.<br>WAFER ASS'Y (1-ROW R/A)<br>EMBTB PKG |                        |                        |  |
|                                                                                                                         | 10 OVER 30 UNDER                      | ±0.25                                                                                                                         | CHECKED BY<br>MYAGI         | DATE<br>2005/11/26            |                                                                          |                        |                        |  |
|                                                                                                                         | 30 OVER                               | ±0.3                                                                                                                          | APPROVED BY<br>ANODA        | DATE<br>2005/11/26            | MOLEX INCORPORATED                                                       |                        |                        |  |
|                                                                                                                         | ANGULAR ±1 °                          |                                                                                                                               | MATERIAL NO.<br>SEE SHEET 3 | DOCUMENT NO.<br>SD-501568-006 |                                                                          |                        |                        |  |
| DRAFT WHERE APPLICABLE MUST REMAIN WITHIN DIMENSIONS                                                                    |                                       | THIS DRAWING CONTAINS INFORMATION THAT IS PROPRIETARY TO MOLEX INCORPORATED AND SHOULD NOT BE USED WITHOUT WRITTEN PERMISSION |                             |                               |                                                                          |                        |                        |  |



|                                                                                                                             |                                       |                                                      |                            |                             |                                                                          |                                                                                                                               |                        |  |
|-----------------------------------------------------------------------------------------------------------------------------|---------------------------------------|------------------------------------------------------|----------------------------|-----------------------------|--------------------------------------------------------------------------|-------------------------------------------------------------------------------------------------------------------------------|------------------------|--|
| REVISED<br>EC NO: J2010-0339<br>DRWN: TAKAGAWA 01 2009/09/01<br>CHKD: MATSUMOTO 01 2009/09/01<br>APPR: HIRATA 01 2009/09/01 | GENERAL TOLERANCES (UNLESS SPECIFIED) |                                                      | DIMENSION STYLE<br>MM ONLY |                             | SCALE<br>---                                                             | DESIGN UNITS<br>METRIC                                                                                                        | THIRD ANGLE PROJECTION |  |
|                                                                                                                             | 10 UNDER                              | ±0.2                                                 | DRAWN BY<br>AMIZUMURA      | DATE<br>2005/1/26           | TITLE<br>1.0 WIRE TO BOARD CONN.<br>WAFER ASS'Y (1-ROW R/A)<br>EMBTB PKG |                                                                                                                               |                        |  |
|                                                                                                                             | 10 OVER 30 UNDER                      | ±0.25                                                | CHECKED BY<br>MYAGI        | DATE<br>2005/1/26           | MOLEX INCORPORATED                                                       |                                                                                                                               |                        |  |
|                                                                                                                             | 30 OVER                               | ±0.3                                                 | APPROVED BY<br>ANODA       | DATE<br>2005/1/26           | DOCUMENT NO.<br>SD-501568-006                                            |                                                                                                                               | SHEET NO.<br>2 OF 3    |  |
|                                                                                                                             | ANGULAR ±3 °                          | DRAFT WHERE APPLICABLE MUST REMAIN WITHIN DIMENSIONS |                            | MATERIAL NO.<br>SEE SHEET 3 |                                                                          | THIS DRAWING CONTAINS INFORMATION THAT IS PROPRIETARY TO MOLEX INCORPORATED AND SHOULD NOT BE USED WITHOUT WRITTEN PERMISSION |                        |  |

| 紫<br>VIOLET       | 橙<br>ORANGE       | 茶<br>BROWN        | 緑<br>GREEN        | 色<br>COLOR |
|-------------------|-------------------|-------------------|-------------------|------------|
| 501568-1597       | 501568-1587       | 501568-1577       | 501568-1567       | 15         |
| 501568-1497       | 501568-1487       | 501568-1477       | 501568-1467       | 14         |
| 501568-1397       | 501568-1387       | 501568-1377       | 501568-1367       | 13         |
| 501568-1297       | 501568-1287       | 501568-1277       | 501568-1267       | 12         |
| 501568-1197       | 501568-1187       | 501568-1177       | 501568-1167       | 11         |
| 501568-1097       | 501568-1087       | 501568-1077       | 501568-1067       | 10         |
| 501568-0997       | 501568-0987       | 501568-0977       | 501568-0967       | 9          |
| 501568-0897       | 501568-0887       | 501568-0877       | 501568-0867       | 8          |
| 501568-0797       | 501568-0787       | 501568-0777       | 501568-0767       | 7          |
| 501568-0697       | 501568-0687       | 501568-0677       | 501568-0667       | 6          |
| EMBOSSSED PACKAGE | EMBOSSSED PACKAGE | EMBOSSSED PACKAGE | EMBOSSSED PACKAGE | 極数         |
| オーダー番号 ORDER NO.  | オーダー番号 ORDER NO.  | オーダー番号 ORDER NO.  | オーダー番号 ORDER NO.  | CIRCUITIS  |

CONNECTOR SERIES No. 501568-\*\*\*9

| 青<br>BLUE         | 黄<br>YELLOW       | 赤<br>RED          | 黒<br>BLACK        | 自然色<br>NATURAL    | 色<br>COLOR |
|-------------------|-------------------|-------------------|-------------------|-------------------|------------|
| 501568-1547       | 501568-1537       | 501568-1527       |                   | 501568-1507       | 15         |
| 501568-1447       | 501568-1437       | 501568-1427       |                   | 501568-1407       | 14         |
| 501568-1347       | 501568-1337       | 501568-1327       |                   | 501568-1307       | 13         |
| 501568-1247       | 501568-1237       | 501568-1227       |                   | 501568-1207       | 12         |
| 501568-1147       | 501568-1137       | 501568-1127       |                   | 501568-1107       | 11         |
| 501568-1047       | 501568-1037       | 501568-1027       |                   | 501568-1007       | 10         |
| 501568-0947       | 501568-0937       | 501568-0927       | 501568-0917       | 501568-0907       | 9          |
| 501568-0847       | 501568-0837       | 501568-0827       | 501568-0817       | 501568-0807       | 8          |
| 501568-0747       | 501568-0737       | 501568-0727       |                   | 501568-0707       | 7          |
| 501568-0647       | 501568-0637       | 501568-0627       | 501568-0617       | 501568-0607       | 6          |
| EMBOSSSED PACKAGE | EMBOSSSED PACKAGE | EMBOSSSED PACKAGE | EMBOSSSED PACKAGE | EMBOSSSED PACKAGE | 極数         |
| オーダー番号 ORDER NO.  | オーダー番号 ORDER NO.  | オーダー番号 ORDER NO.  | オーダー番号 ORDER NO.  | オーダー番号 ORDER NO.  | CIRCUITIS  |

CONNECTOR SERIES No. 501568-\*\*\*9

|                                                                                                                       |             |                                                            |                                                                                                                                  |                   |                                                                          |                               |
|-----------------------------------------------------------------------------------------------------------------------|-------------|------------------------------------------------------------|----------------------------------------------------------------------------------------------------------------------------------|-------------------|--------------------------------------------------------------------------|-------------------------------|
| REVISED<br>EC NO: J2010-0339<br>DRWN: TNAGAWA01 2009/09/01<br>CHKD: HMATSUMOTO 2009/09/01<br>APPR: HHIRATA 2009/09/01 | DESCRIPTION | GENERAL TOLERANCES<br>(UNLESS SPECIFIED)                   | DIMENSION STYLE<br>MM ONLY                                                                                                       | SCALE<br>---      | DESIGN UNITS<br>METRIC                                                   | THIRD ANGLE<br>PROJECTION     |
|                                                                                                                       | REV         | 10 UNDER ± ---                                             | DRAWN BY<br>AMIZUMURA                                                                                                            | DATE<br>2005/1/26 | TITLE<br>1.0 WIRE TO BOARD CONN.<br>WAFER ASS'Y (1-ROW R/A)<br>EMBTP PKG |                               |
|                                                                                                                       |             | 10 OVER 30 UNDER ± ---                                     | CHECKED BY<br>MYAGI                                                                                                              | DATE<br>2005/1/26 | MOLEX INCORPORATED                                                       |                               |
|                                                                                                                       |             | 30 OVER ± ---                                              | APPROVED BY<br>ANODA                                                                                                             | DATE<br>2005/1/26 | MATERIAL NO.<br>SEE TABLE                                                | DOCUMENT NO.<br>SD-501568-006 |
|                                                                                                                       |             | ANGULAR ± --- °                                            | THIS DRAWING CONTAINS INFORMATION THAT IS PROPRIETARY TO MOLEX<br>INCORPORATED AND SHOULD NOT BE USED WITHOUT WRITTEN PERMISSION |                   |                                                                          |                               |
|                                                                                                                       |             | DRAFT WHERE APPLICABLE<br>MUST REMAIN<br>WITHIN DIMENSIONS |                                                                                                                                  |                   |                                                                          |                               |