

FEATURES AND SPECIFICATIONS

Features and Benefits

- Locking window provides secure mating retention to housing lance

Reference Information

Product Specification: PS-51067-008
 Packaging: Reel or bag
 Mates With: 50217
 Use With: 51114
 Designed In: Millimeters

Electrical

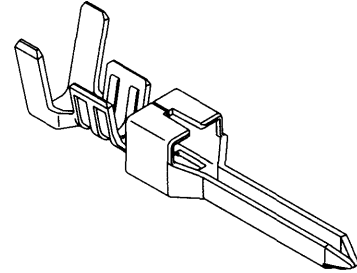
Voltage: 250V
 Current: 6.0A
 Contact Resistance: 10mΩ max.
 Dielectric Withstanding Voltage: 1500V AC/1 min.
 Insulation Resistance: 1000 MΩ min.

Physical

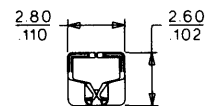
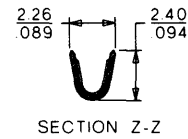
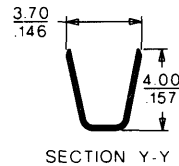
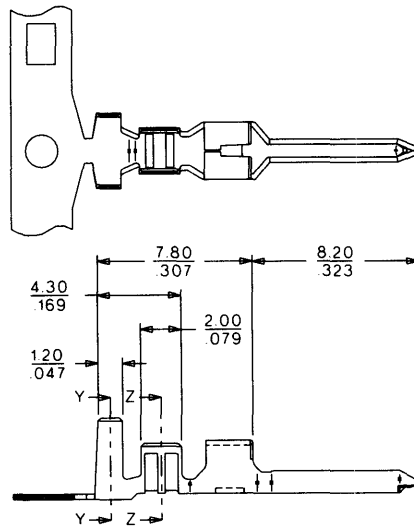
Contact: Brass
 Plating: Tin
 Wire Range: 18 to 24 AWG
 Insulation Diameter: 1.40 to 3.00mm (.055 to .118")
 Strip Length: 3.00 to 3.50mm (.118 to .138")
 Operating Temperature: -40 to +105°C

molex® 3.50mm (.138") Pitch Wire-to-Wire Crimp Terminal

50419 Male



CATALOG DRAWING (FOR REFERENCE ONLY)



ORDERING INFORMATION

Order No.	Packaging
50419-9001	Reel
50419-9101	Bag

D

3.00 to 7.92mm (.118 to .312") Pitch