

42618-2 ✓ ACTIVE

FASTON | FASTON 187

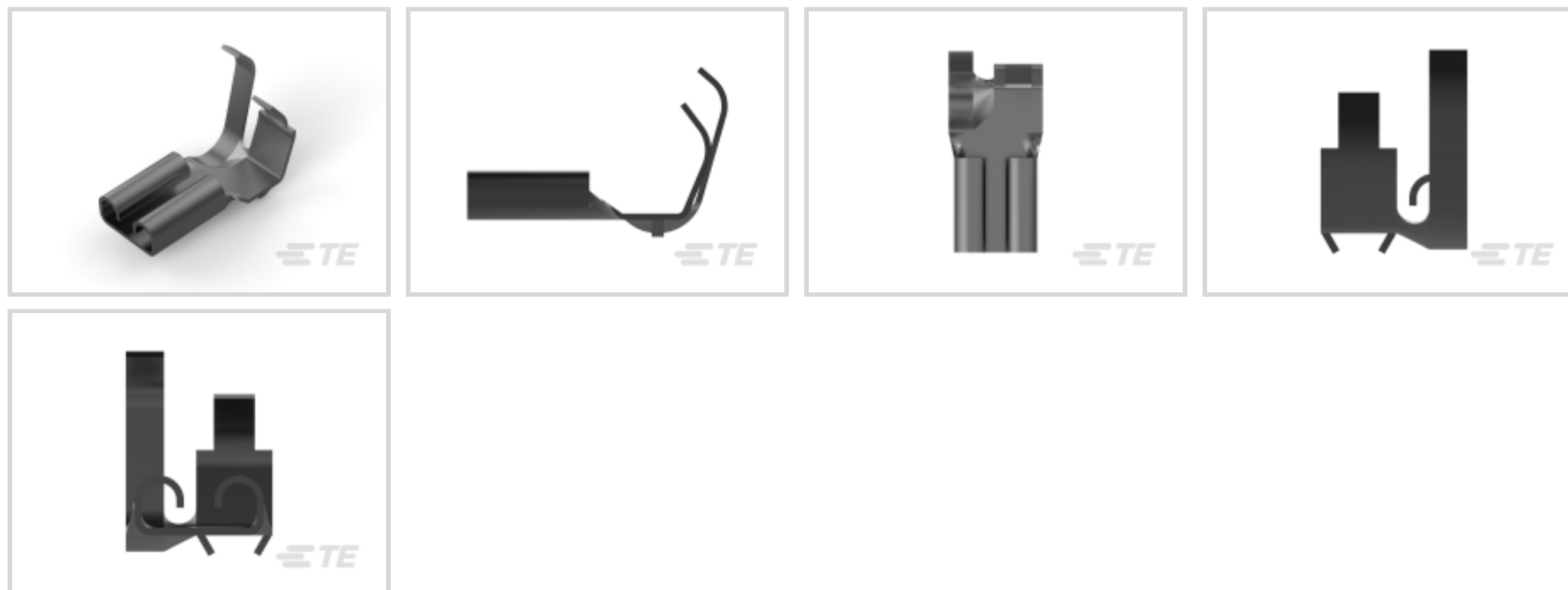
TE Internal #: 42618-2

Quick Disconnects, Receptacle, 20 – 16 AWG Wire Size, .51 – 1.31 mm<sup>2</sup> Wire Size, Mating Tab Width .187 in [4.75 mm], Flag, Brass, FASTON 187

[View on TE.com >](#)



Terminals & Splices > Quick Disconnects



Quick Disconnect Terminal Type: **Receptacle**

Wire Size: .51 – 1.31 mm<sup>2</sup>

Mating Tab Width: 4.75 mm [.187 in]

Mating Tab Thickness: .51 mm [.02 in]

## Features

### Product Type Features

Terminates To	Wire & Cable
Wire/Cable Type	Regular Wire
Wire Stop	No
Insertion Force	Normal
Sealable	No

### Configuration Features

Connection Capacity	Single
---------------------	--------

### Contact Features

Quick Disconnect Terminal Type	Receptacle
Mating Tab Width	4.75 mm [.187 in]
Mating Tab Thickness	.51 mm [.02 in]
Terminal Orientation	Flag
Contact Base Material	Brass
Terminal Plating Material	Tin
Crimp Type	Tab-Lok



Barrel Type	Open
-------------	------

### Mechanical Attachment

Mating Retention Type	Dimple
Locking Lance Height	.89 mm [.035 in]
Wire Insulation Support	With

### Dimensions

Accepts Wire Insulation Diameter Range	2.79 – 4.32 mm [.11 – .17 in]
Receptacle Terminal Stock Thickness	.3 mm [.012 in]
Overall Length	13.46 mm [.53 in]
Wire Size	.51 – 1.31 mm <sup>2</sup>

### Usage Conditions

Insulation Option	Uninsulated
Operating Temperature Range	-40 – 110 °C [-40 – 230 °F]

### Industry Standards

CSA Certified	Yes
UL Rating	Listed

### Packaging Features

Packaging Quantity	6000
Packaging Method	Strip/Reel

### Other

Line	Budget
------	--------

## Product Compliance

[For compliance documentation, visit the product page on TE.com>](#)

EU RoHS Directive 2011/65/EU	Compliant
EU ELV Directive 2000/53/EC	Compliant
China RoHS 2 Directive MIIT Order No 32, 2016	No Restricted Materials Above Threshold
EU REACH Regulation (EC) No. 1907/2006	Current ECHA Candidate List: JUNE 2022 (224) Candidate List Declared Against: JAN 2021 (211) SVHC > Threshold: Not Yet Reviewed
Halogen Content	Low Halogen - Br, Cl, F, I < 900 ppm per



homogenous material. Also BFR/CFR/PVC Free

Solder Process Capability

Not applicable for solder process capability

Product Compliance Disclaimer

This information is provided based on reasonable inquiry of our suppliers and represents our current actual knowledge based on the information they provided. This information is subject to change. The part numbers that TE has identified as EU RoHS compliant have a maximum concentration of 0.1% by weight in homogenous materials for lead, hexavalent chromium, mercury, PBB, PBDE, DBP, BBP, DEHP, DIBP, and 0.01% for cadmium, or qualify for an exemption to these limits as defined in the Annexes of Directive 2011/65/EU (RoHS2). Finished electrical and electronic equipment products will be CE marked as required by Directive 2011/65/EU. Components may not be CE marked. Additionally, the part numbers that TE has identified as EU ELV compliant have a maximum concentration of 0.1% by weight in homogenous materials for lead, hexavalent chromium, and mercury, and 0.01% for cadmium, or qualify for an exemption to these limits as defined in the Annexes of Directive 2000/53/EC (ELV). Regarding the REACH Regulation, the information TE provides on SVHC in articles for this part number is based on the latest European Chemicals Agency (ECHA) 'Guidance on requirements for substances in articles' posted at this URL: <https://echa.europa.eu/guidance-documents/guidance-on-reach>

## Compatible Parts



TE Part # 60755-2  
187 FASTON FLAG REC 20-16 AWG TPBR



TE Part # 60755-1  
187 FASTON FLAG REC 20-16 AWG BR



TE Part # 63848-2  
187 FASTON FLAG REC 20-16 AWG TPBR



TE Part # 1-42800-2  
187 FASTON,REC.,16-20 AWG,TPBR



TE Part # 1-687392-9  
HB 9EAPR140T140O G



TE Part # 1855654-1  
HDM/FA HBEMPO140T140O LM CUT



TE Part # 63188-1  
187 FASTON FLAG REC 22-18 AWG TPBR



TE Part # 565501-1  
STD HBEMPR140T140OK

TE Part # 567758-1  
APPL,HB\*CQM\* 8EAPR140T140O G

Also in the Series | **FASTON 187**



Crimp Terminal Housings(41)



Insertion & Extraction Tools(1)



Joints & Splices(1)



PCB Terminals(48)



Quick Disconnects(214)

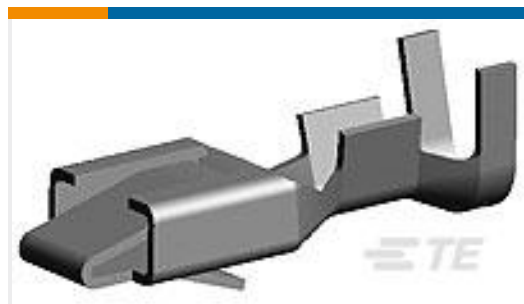


Splices(1)

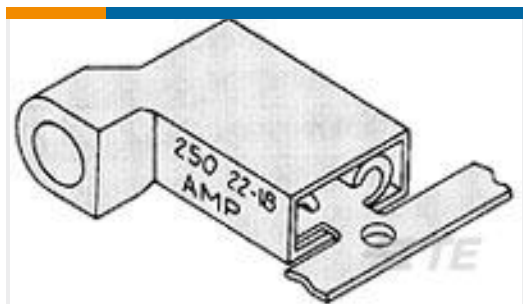
## Customers Also Bought



TE Part #172234-1  
3P MINI UNIVERSAL MATE-N-LOK  
CAP HOUSING



TE Part #640417-2  
BLADE REC 250 18-14AWG TPBR



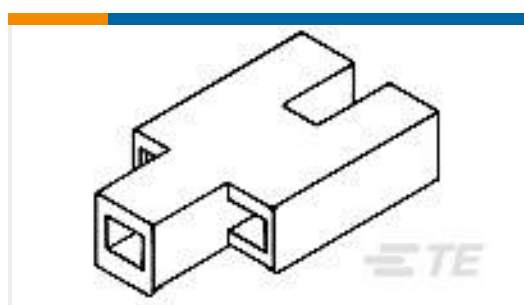
TE Part #9-520334-2  
ULTRA-FAST 187 ASY REC 22-18 AWG  
TPBR



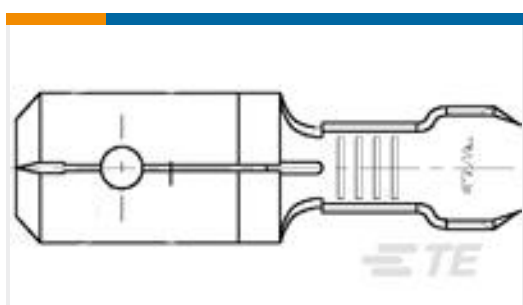
TE Part #9-1609095-1  
5FB3=F8363



TE Part #284406-3  
CLUSTER BLOCK HSG .090 DIA. RE



TE Part #1380145-1  
CLUSTER BLOCK HSG. .090 DIA.



TE Part #42475-3  
250 FASTON TAB 22-18 AWG BR



TE Part #1-1393248-0  
W33-S1N1Q-20=W33



TE Part #1-640721-0  
06P UMNL STR/REL & INSRT NATL

## Documents



## Product Drawings

### 187 FASTON FLAG REC 20-16 AWG TPBR

English

---

## CAD Files

### Customer View Model

[ENG\\_CVM\\_CVM\\_42618-2\\_AJ.2d\\_dxf.zip](#)

English

### 3D PDF

3D

### Customer View Model

[ENG\\_CVM\\_CVM\\_42618-2\\_AJ.3d\\_igs.zip](#)

English

### Customer View Model

[ENG\\_CVM\\_CVM\\_42618-2\\_AJ.3d\\_stp.zip](#)

English

By downloading the CAD file I accept and agree to the [Terms and Conditions](#) of use.

---

## Datasheets & Catalog Pages

### 82004 FASTON Terminals (Insulated and Uninsulated) Catalog - FASTON Receptacles Section

English

---

## Product Specifications

### Product Specification

English

---

## Product Environmental Compliance

### TE Material Declaration

English