

DO NOT SCALE DRAWING
DIMENSION IN METRIC

B

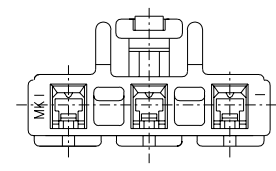
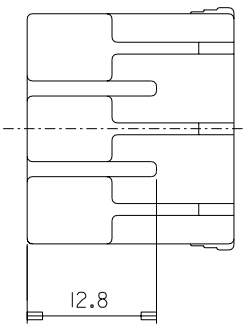
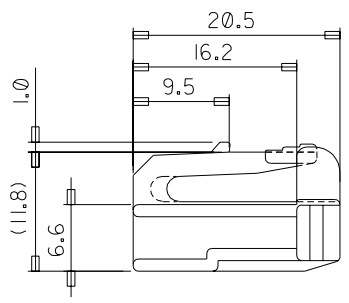
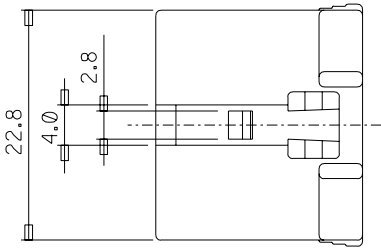
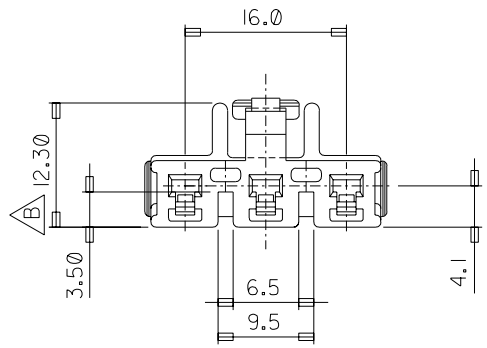
C

PROJECT NO.

SIMILAR ITEM

DWG. NO.
SD-35549-002

F



NOTE

1. DIMENSIONS GIVEN ACROSS CENTERLINES ARE WITHIN HALF THE TOTAL DIMENSIONS.
2. MATERIAL: POLYESTER (UL94-HB), COLOR: NATURAL
3. APPLICABLE TERMINAL: 35768-0110/0210
4. PART NO.: 35549-0300

CHANGED DIM'S EC NO. KOR2002-0109 DRWN: B.C.YOON '02.5.8 CHK: Y.SIK-KIM APPR: C.W.LEE	QUALITY SYMBOLS MAJOR $\blacktriangledown = 0$ CRITICAL $\blacktriangle = 0$	GENERAL TOLERANCES: (UNLESS SPECIFIED)		SCALE 2:1	DESIGN UNITS <input checked="" type="checkbox"/> mm <input type="checkbox"/> INCH	THIRD ANGLE PROJECTION	DIMENSIONS: <input type="checkbox"/> mm <input type="checkbox"/> INCH <input checked="" type="checkbox"/> mm ONLY		SHT	REV	
		4 PLACES	$\pm 0.$	$\pm.$	DRAWN BY & DATE B.C.YOON 98/01/13		TITLE: PPF FEMALE HOUSING 3P				
		3 PLACES	$\pm 0.$	$\pm.$	CHECKED BY & DATE B.K.CHOI 98/01/13						
		2 PLACES	$\pm 0.$	$\pm.$	APPROVED BY & DATE C.W.LEE 98/01/13		MOLEX INCORPORATED				
1 PLACE	± 0.3	$\pm.$	ANGULAR: \pm °		CAD FILENAME s3554903.dgn	MATERIAL NO. 355490300	DRAWING NO. SD-35549-002	SHEET NO. 1 OF 1			
REV	DESCRIPTION	DRAFT WHERE APPLICABLE MUST REMAIN WITHIN DIMENSIONS				THIS DRAWING CONTAINS INFORMATION THAT IS PROPRIETARY TO MOLEX INCORPORATED AND SHOULD NOT BE USED WITHOUT WRITTEN PERMISSION.				SIZE B	

A

B

C

D

E

F

8

7

6

5

4

3

2

MX-A3