

DO NOT SCALE DRAWING DIMENSION IN METRIC

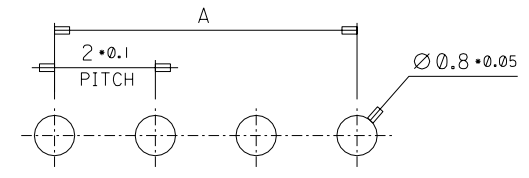
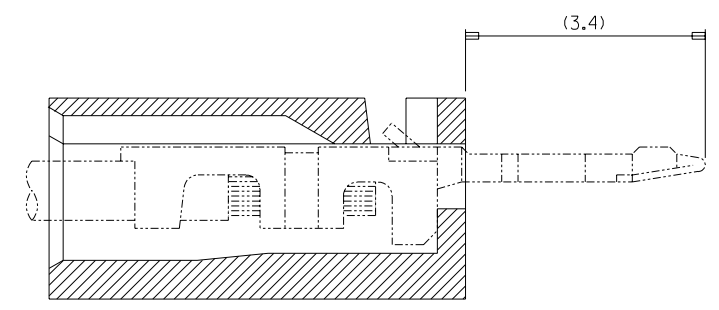
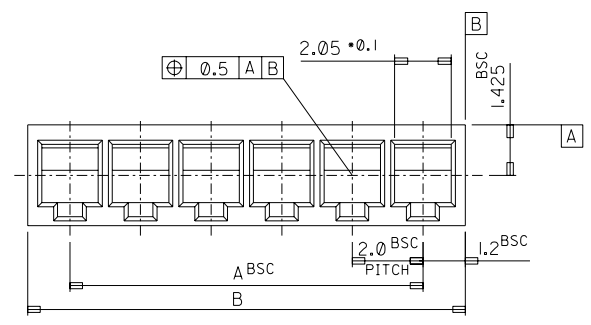
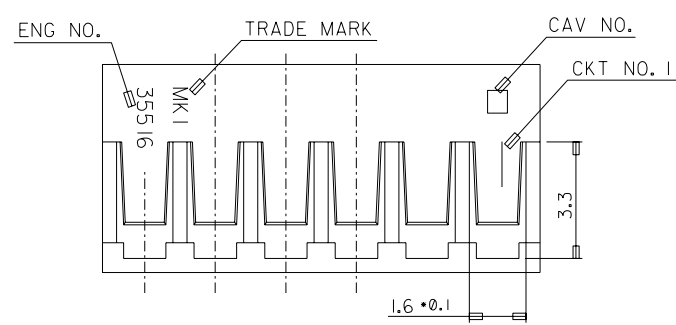
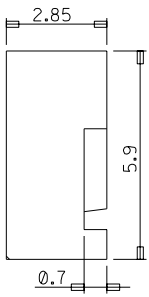
DWG. NO. SD-35516-001

SIMILAR ITEM

PROJECT NO.

C

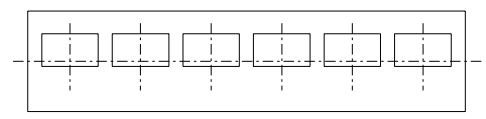
B



P.C. BOARD LAYOUT
(THK.: 1.6+)

32.4	30.0	355161600	35516-1600	16
30.4	28.0	1500	-1500	15
28.4	26.0	1400	-1400	14
26.4	24.0	1300	-1300	13
24.4	22.0	1200	-1200	12
22.4	20.0	1100	-1100	11
20.4	18.0	1000	-1000	10
18.4	16.0	0900	-0900	9
16.4	14.0	0800	-0800	8
14.4	12.0	0700	-0700	7
12.4	10.0	0600	-0600	6
10.4	8.0	0500	-0500	5
8.4	6.0	0400	-0400	4
6.4	4.0	0300	-0300	3
4.4	2.0	355160200	35516-0200	2
B	A	MATERIAL NO.	ENG NO.	CKT NO.

- NOTE
- MATERIAL : NYLON 66 UL94V-0
 - APPLIED TERMINAL : 35044-910*



REVISED	EC NO. KOR2003-0204 DRWN: HSSHIN 20030027 CHK: J.KOH APPR: CWLEE	DESCRIPTION	QUALITY SYMBOLS	GENERAL TOLERANCES: (UNLESS SPECIFIED)	SCALE 7-1	DESIGN UNITS <input checked="" type="checkbox"/> mm <input type="checkbox"/> INCH	THIRD ANGLE PROJECTION	DIMENSIONS: <input type="checkbox"/> mm <input type="checkbox"/> INCH <input checked="" type="checkbox"/> mm ONLY	SHT	REV	
			MAJOR	mm	INCH	DRAWN BY & DATE H.S.SHIN 19961007		TITLE: 2.0mm PITCH B-IN CONN. HOUSING(S/T)			
			CRITICAL	4 PLACES ±.	±.	CHECKED BY & DATE J.K.OH		MOLEX INCORPORATED KOREA			
				3 PLACES ±.	±.	APPROVED BY & DATE C.W.LEE		CAD FILENAME SD35516.DGN	MATERIAL NO. SEE TABLE	DRAWING NO. SD-35516-001	SHEET NO. 1 OF 1
B	REV		ANGULAR: ± 1°	DRAFT WHERE APPLICABLE MUST REMAIN WITHIN DIMENSIONS	THIS DRAWING CONTAINS INFORMATION THAT IS PROPRIETARY TO MOLEX INCORPORATED AND SHOULD NOT BE USED WITHOUT WRITTEN PERMISSION.					SIZE B	

F
E
D
C
B
A