



Econoseal J - Mark II

TE Internal #: 368050-3

Housing for Male Terminals, Wire-to-Wire, 16 Position, .188 in [4.8 mm] Centerline, Gray, Wire & Cable, Signal, Econoseal J - Mark II

[View on TE.com >](#)

Connectors > Automotive Connectors > Connector Housings > ECONOSEAL, CONNECTOR HOUSING



Connector & Housing Type: **Housing for Male Terminals**

Connector System: **Wire-to-Wire**

Number of Positions: **16**

Centerline (Pitch): **4.8 mm [.188 in]**

Sealable: **No**

[All ECONOSEAL, CONNECTOR HOUSING \(90\)](#)

Features

Product Type Features

Connector & Housing Shape	Rectangular
Connector & Housing Type	Housing for Male Terminals
Connector System	Wire-to-Wire
Sealable	No
Hybrid Connector	No
Primary Locking Feature	Integrated in Housing
Connector & Contact Terminates To	Wire & Cable

Configuration Features

Number of Positions	16
Number of Rows	4

Body Features

Cable Exit Angle	180°
Body Material	PBT
Primary Product Color	Gray

Contact Features

Contact Size	1.8mm
--------------	-------

Mechanical Attachment



Mounting Feature	Without
Terminal Position Assurance	No
Strain Relief	Without
Mating Alignment Type	Polarizing Rib
Mating Alignment	With
Connector Mounting Type	Cable Mount (Free-Hanging)

Housing Features

Centerline (Pitch)	4.8 mm[.188 in]
--------------------	-----------------

Dimensions

Product Width	36.5 mm[1.43 in]
Product Length	26.7 mm[1.05 in]
Product Height	38.05 mm[1.49 in]
Row-to-Row Spacing	5.6 mm[.22 in]

Operation/Application

Circuit Application	Signal
---------------------	--------

Packaging Features

Packaging Quantity	100
Packaging Method	Bag

Other

Serviceable	No
Connector Position Assurance Capable	No

Product Compliance

[For compliance documentation, visit the product page on TE.com>](#)

EU RoHS Directive 2011/65/EU	Compliant
EU ELV Directive 2000/53/EC	Compliant
China RoHS 2 Directive MIIT Order No 32, 2016	No Restricted Materials Above Threshold
EU REACH Regulation (EC) No. 1907/2006	Current ECHA Candidate List: JUNE 2022 (224) Candidate List Declared Against: JAN 2022 (223) SVHC > Threshold: Not Yet Reviewed
Halogen Content	Not Low Halogen - contains Br or Cl > 900



ppm.

Solder Process Capability

Not applicable for solder process capability

Product Compliance Disclaimer

This information is provided based on reasonable inquiry of our suppliers and represents our current actual knowledge based on the information they provided. This information is subject to change. The part numbers that TE has identified as EU RoHS compliant have a maximum concentration of 0.1% by weight in homogenous materials for lead, hexavalent chromium, mercury, PBB, PBDE, DBP, BBP, DEHP, DIBP, and 0.01% for cadmium, or qualify for an exemption to these limits as defined in the Annexes of Directive 2011/65/EU (RoHS2). Finished electrical and electronic equipment products will be CE marked as required by Directive 2011/65/EU. Components may not be CE marked. Additionally, the part numbers that TE has identified as EU ELV compliant have a maximum concentration of 0.1% by weight in homogenous materials for lead, hexavalent chromium, and mercury, and 0.01% for cadmium, or qualify for an exemption to these limits as defined in the Annexes of Directive 2000/53/EC (ELV). Regarding the REACH Regulation, the information TE provides on SVHC in articles for this part number is based on the latest European Chemicals Agency (ECHA) 'Guidance on requirements for substances in articles' posted at this URL: <https://echa.europa.eu/guidance-documents/guidance-on-reach>

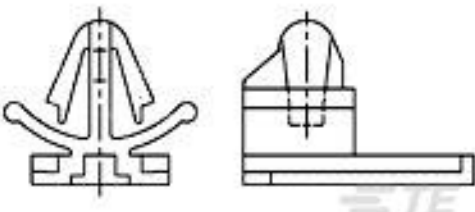
Compatible Parts



TE Part # 368051-1
E-J MK-II(+) 16P CAP DBL

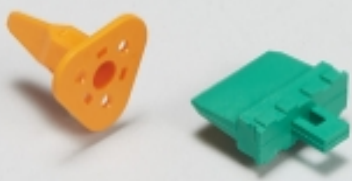


TE Part # CAT-EC7491-CH8172
ECONOSEAL, CONNECTOR HOUSING




TE Part # 368121-1
CLIP HSG FOR 070(EJ MK-II 16P)


Also in the Series | Econoseal J - Mark II




Automotive Connector Locks & Position Assurance(18)



Automotive Housings(41)

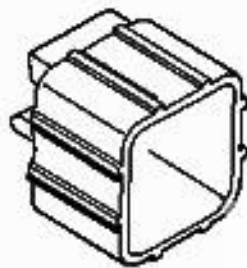


Automotive Seals & Cavity Plugs(8)



Other Automotive Connector Accessories(4)


Customers Also Bought



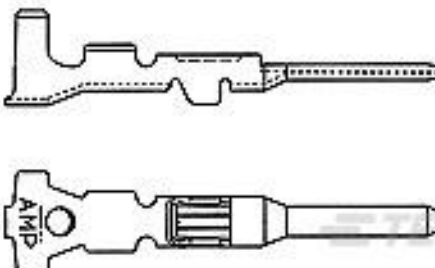
TE Part #368051-1
E-J MK-II(+) 16P CAP DBL



TE Part #2822352-1
070 TYPE RUBBER PLUG



TE Part #85110-1
070/250 HYBRID 11P CAP



TE Part #282465-1
MINI MIC TAB CONTACT >1,5-



Documents

Product Drawings

[E-J MK-2\(+\) 16P CAP HSG\(GRAY\)](#)

English

CAD Files

[3D PDF](#)

English

[Customer View Model](#)

[ENG_CVM_368050-3_C.2d_dxf.zip](#)

English

[Customer View Model](#)

[ENG_CVM_368050-3_C.3d_igs.zip](#)

English

[Customer View Model](#)

[ENG_CVM_368050-3_C.3d_stp.zip](#)

English

By downloading the CAD file I accept and agree to the [Terms and Conditions](#) of use.

Datasheets & Catalog Pages

[Econoseal Connector Series](#)

English

Product Specifications

[AMP-ECONOSEAL-J MARK II+ CONNECTOR](#)

English

[Product Specification](#)

English

368050-3

Housing for Male Terminals, Wire-to-Wire, 16 Position, .188 in [4.8 mm] Centerline,
Gray, Wire & Cable, Signal, Econoseal J - Mark II

