



Terminals & Splices > Magnet Wire Terminals



Magnet Wire Terminal Type: **Wire-to-Wire**

Accepts Wire Insulation Diameter (Max): **2.9 mm [.115 in]**

Accepts Wire Insulation Diameter Range: **2.9 mm [.115 in]**

Lead Wire Size: **.3 – .8 mm²**

Features

Product Type Features

Compatible With Discrete Wire Type

Magnet Wire & Lead Wire

Configuration Features

Compatible With Wire & Cable Type

Discrete Wire

Contact Features

Magnet Wire Terminal Type

Wire-to-Wire

Terminal Plating Material

Unplated

Terminal Orientation

Straight

Termination Features

Termination Method to Wire & Cable

Insulation Displacement (IDC)

Mechanical Attachment

Contact Mating Retention Type

Barbs

Dimensions

Terminal Height

3.17 mm [.125 in]

Accepts Wire Insulation Diameter (Max)

2.9 mm [.115 in]

Accepts Wire Insulation Diameter Range

2.9 mm [.115 in]



Lead Wire Size	.3 – .8 mm ²
Magnet Wire Size	34 – 18 AWG
Stock Thickness (Magnet Wire Side)	.51 mm[.02 in]
Overall Product Length	7.62 mm[.3 in]

Usage Conditions

Insulation Option	Uninsulated
Operating Temperature Range	-40 – 175 °C[-40 – 347 °F]

Operation/Application

Compatible With Wire Base Material	Copper
------------------------------------	--------

Packaging Features

Packaging Method	Bag
------------------	-----

Product Compliance

[For compliance documentation, visit the product page on TE.com>](#)

EU RoHS Directive 2011/65/EU	Compliant
EU ELV Directive 2000/53/EC	Compliant
China RoHS 2 Directive MIIT Order No 32, 2016	No Restricted Materials Above Threshold
EU REACH Regulation (EC) No. 1907/2006	Current ECHA Candidate List: JUNE 2022 (224) Candidate List Declared Against: JAN 2022 (223) SVHC > Threshold: Not Yet Reviewed
Halogen Content	Low Halogen - Br, Cl, F, I < 900 ppm per homogenous material. Also BFR/CFR/PVC Free
Solder Process Capability	Not applicable for solder process capability

Product Compliance Disclaimer

This information is provided based on reasonable inquiry of our suppliers and represents our current actual knowledge based on the information they provided. This information is subject to change. The part numbers that TE has identified as EU RoHS compliant have a maximum concentration of 0.1% by weight in homogenous materials for lead, hexavalent chromium, mercury, PBB, PBDE, DBP, BBP, DEHP, DIBP, and 0.01% for cadmium, or qualify for an exemption to these limits as defined in the Annexes of Directive 2011/65/EU (RoHS2). Finished electrical and electronic equipment products will be CE marked as required by Directive 2011/65/EU. Components may not be CE marked. Additionally, the part numbers that TE has identified as EU ELV compliant have a maximum concentration of 0.1% by weight in homogenous materials for lead, hexavalent chromium, and mercury, and 0.01% for cadmium, or qualify for an exemption to these limits as defined in the Annexes of Directive 2000/53/EC (ELV). Regarding the REACH Regulation, the information TE provides on SVHC in articles for this part number is based on the latest European Chemicals Agency (ECHA) 'Guidance on requirements for substances in articles' posted at this URL: <https://echa.europa.eu/guidance-documents/guidance-on-reach>

Compatible Parts



TE Part # 8-1601046-1
331-101-000=WIRE2WIRE,STD,SMZ



TE Part # 4-1601117-1
WIRE2WIRE,FINE,SMZ



TE Part # 1601046-3
STANDARD WIRE TO WIRE SIAMEZE,
HIGH TEMP,



TE Part # 4-1601056-1
031-119-000=WIRE2WIRE,STD,SMZ



TE Part # 6-1601046-2
WIRE2WIRE,STD,SMZ




TE Part # 8-1601046-2
331-101-000=WIRE2WIRE,STD,SMZ



TE Part # 1601433
531-101-002= POCKET
SPECIFICATION

Also in the Series | SIAMEZE



Insertion & Extraction Tools(1)



Magnet Wire Terminals(196)

Customers Also Bought



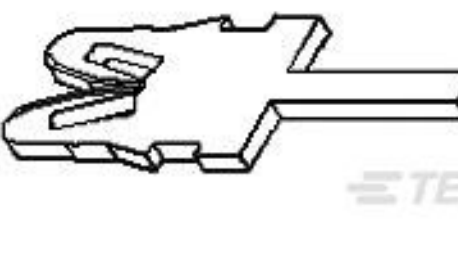
TE Part #4-1601035-1
031-081-000=TAB,187X032,STD,SMZ



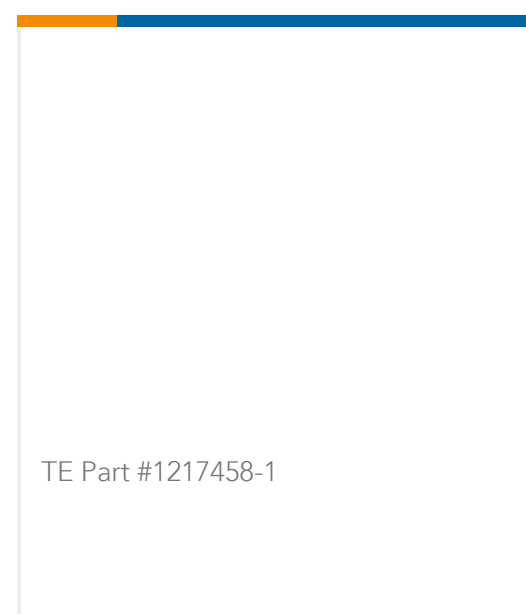
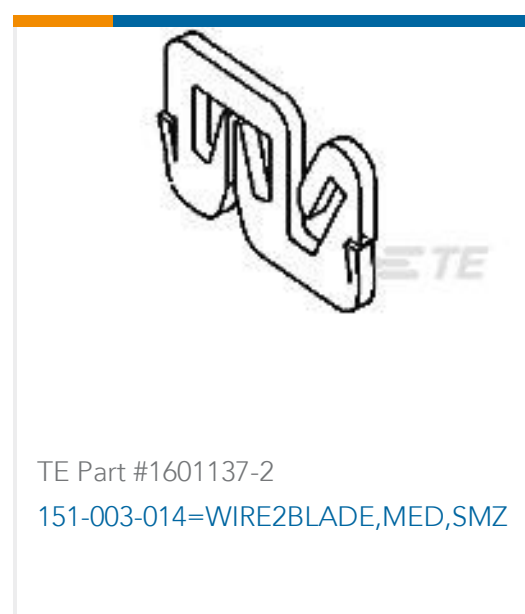
TE Part #62833-1
MAG-MATE POKE-IN TERM 016TPBR



TE Part #DTM04-6P-EE04
REC, 6P, BLK, N, HIGH TEMP



TE Part #1601138-1
151-005-000=TAB,3.3X0.8,MED,SMZ



Documents

Product Drawings

[031-101-000=WIRE2WIRE,STD,SMZ](#)

English

[031-101-000=WIRE2WIRE,STD,SMZ](#)

English

CAD Files

Customer View Model

[ENG_CVM_CVM_4-1601046-1_H.2d_dxf.zip](#)

English

3D PDF

3D

Customer View Model

[ENG_CVM_CVM_4-1601046-1_H.3d_igs.zip](#)

English

Customer View Model

[ENG_CVM_CVM_4-1601046-1_H.3d_stp.zip](#)

English

By downloading the CAD file I accept and agree to the [Terms and Conditions](#) of use.

Datasheets & Catalog Pages

[1654742_HOUSEHOLD_APPLIANCES_RAST5](#)

English

[Magnet Wire Terminals & Splices](#)

English

[1-1773702-7_IDC_Magnet_Wire](#)

English



Product Specifications

Application Specification

English

Product Environmental Compliance

Product Compliance

English

Product Compliance

English