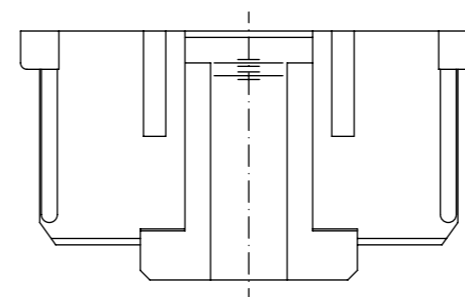
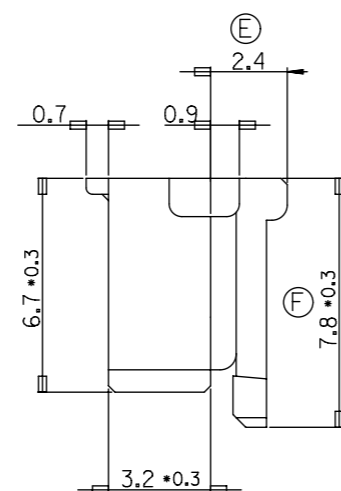
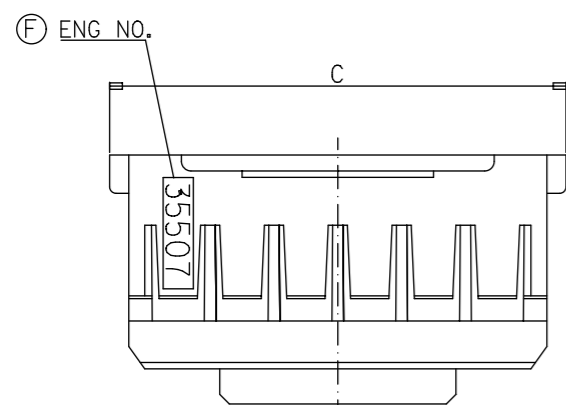
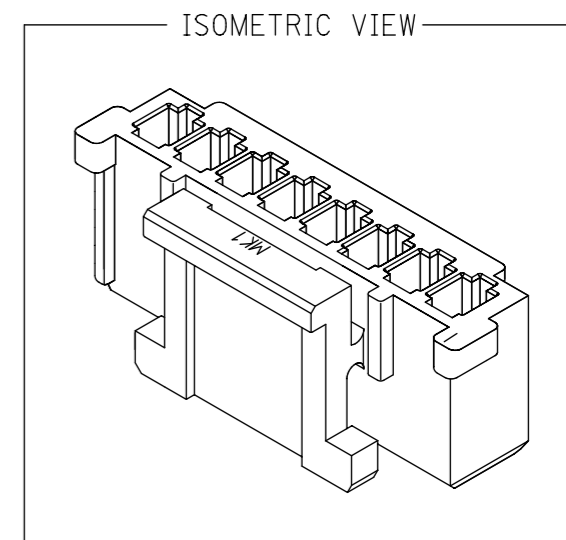
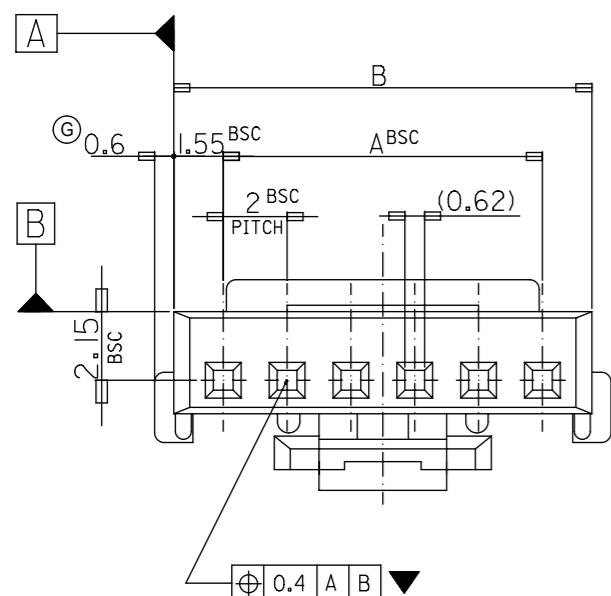


TERMINAL INSERTED DRAWING
SCALE 2:1

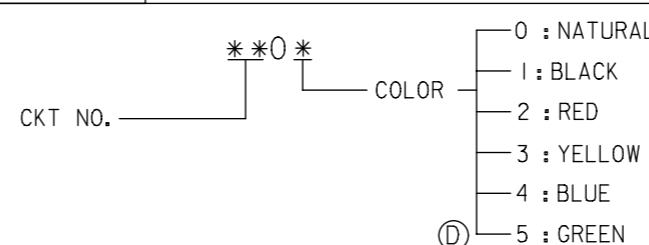


NOTES

1. MATERIAL : POLYESTER, UL94V-0
- ② 2. FINISH : VARIABLE COLOR (SEE LEGEND)
3. PRODUCT SPECIFICATION NO : PS-35507-001
4. APPLICABLE TERMINAL : 50212-8000
5. MATES WITH : 35362-***, 35363-***

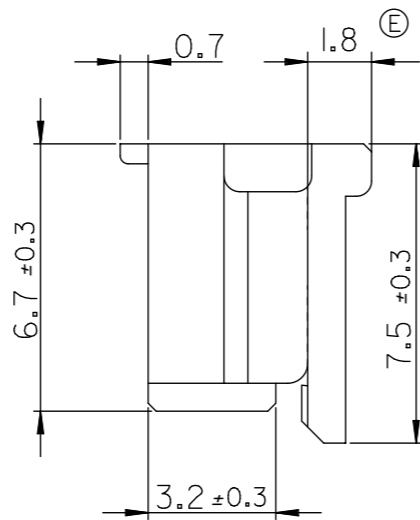
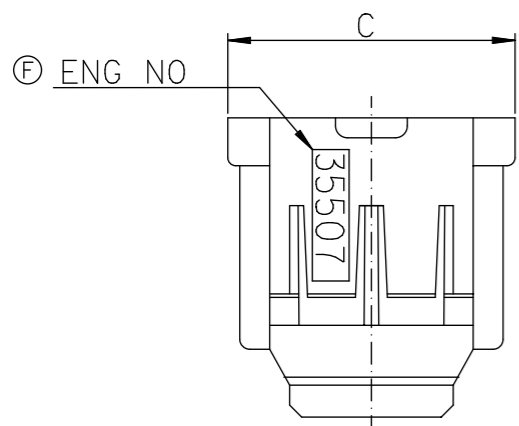
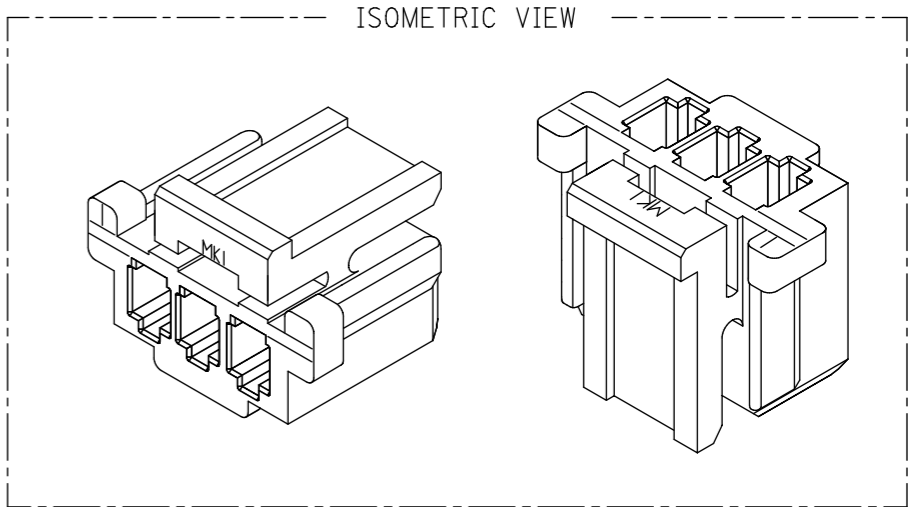
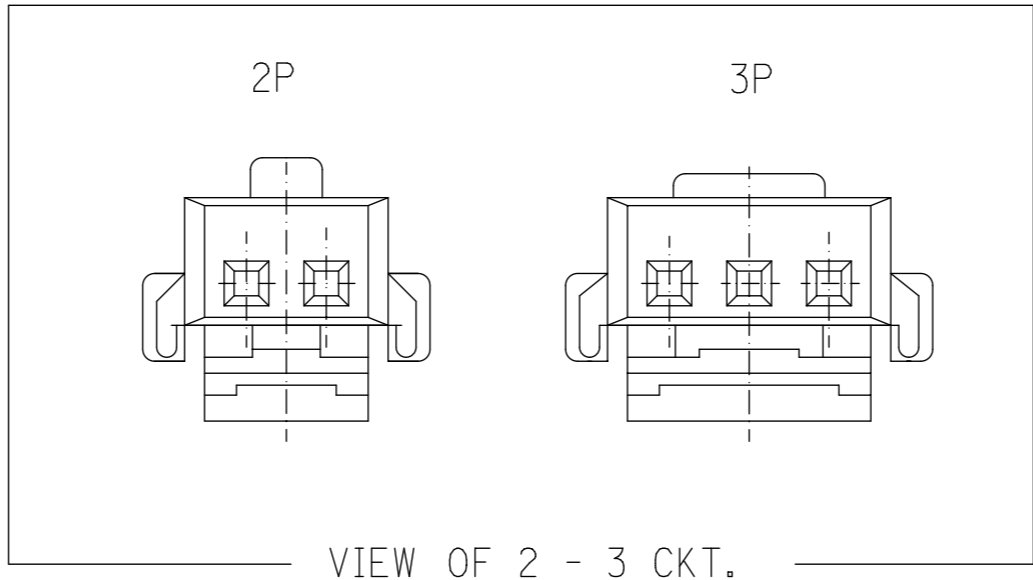
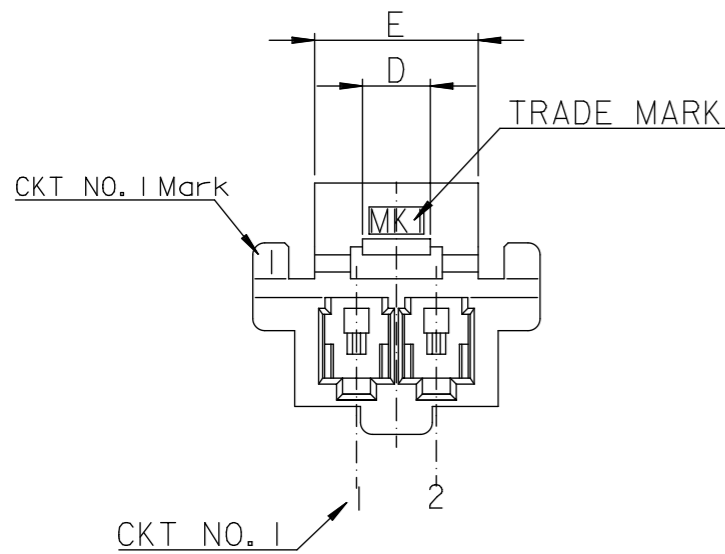


LEGEND



4	4	27.8	32.3	31.1	28	-150*	15
		25.8	30.3	29.1	26	-140*	14
		23.8	28.3	27.1	24	-130*	13
		21.8	26.3	25.1	22	-120*	12
		19.8	24.3	23.1	20	-110*	11
		17.8	22.3	21.1	18	-100*	10
▽	▽	15.8	20.3	19.1	16	-090*	9
8.0	10.8	13.8	18.3	17.1	14	-080*	8
4	4	11.8	16.3	15.1	12	-070*	7
		9.8	14.3	13.1	10	-060*	6
	⑥ 6.8	7.8	12.3	11.1	8	-050*	5
4.0	6.4	5.8	10.3	9.1	6	35507-040*	4
F	E	D	C	B	A	ENG NO.	CKT

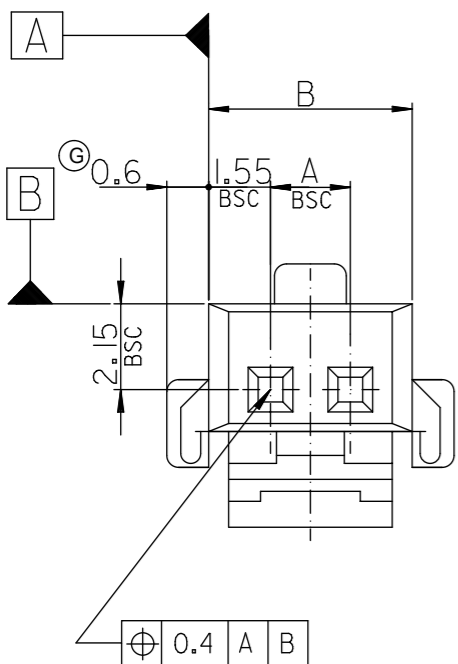
SYMBOLS		THIS DRAWING CONTAINS INFORMATION THAT IS PROPRIETARY TO MOLEX ELECTRONIC TECHNOLOGIES, LLC AND SHOULD NOT BE USED WITHOUT WRITTEN PERMISSION		CURRENT REV DESC:		molex	
▽ = 0	HYBRID	DIMENSION UNITS	SCALE	EC NO: 175346			
▽ = 0	GENERAL TOLERANCES (UNLESS SPECIFIED)		1:1	DRWN: JSSHIN 2018/04/19		2.0 W-T-B CONN HOUSING 4-15P ONLY	
▽ = 0	ANGULAR TOL ± 0.5°			CHK'D: SHCHU 2018/04/20			
▽ = 0	4 PLACES ±			APPR: YSKIM02 2018/04/23		PRODUCT CUSTOMER DRAWING	
▽ = 0	3 PLACES ±			INITIAL REVISION:			
▽ = 0	2 PLACES ±			DRWN: JHLEE05 2009/12/18		DOCUMENT NUMBER SD-35507-001	
▽ = 0	1 PLACE ±			APPR: YUNSIKKIM 2009/12/21			
▽ = 0	0 PLACES ±			DRAFT WHERE APPLICABLE MUST REMAIN WITHIN DIMENSIONS		DOC PART 001	
▽ = 0	THIRD ANGLE PROJECTION	DRAWING	SERIES	MATERIAL NUMBER			
▽ = 0	①	A3-SIZE	35507	CUSTOMER GENERAL		SHEET NUMBER 1 OF 1	



FOR 2 & 3 CKTS.

LEGEND

CKT NO.	**0*	COLOR	0 : NATURAL
			1 : BLACK
			2 : RED
			3 : YELLOW
			4 : BLUE
			5 : GREEN

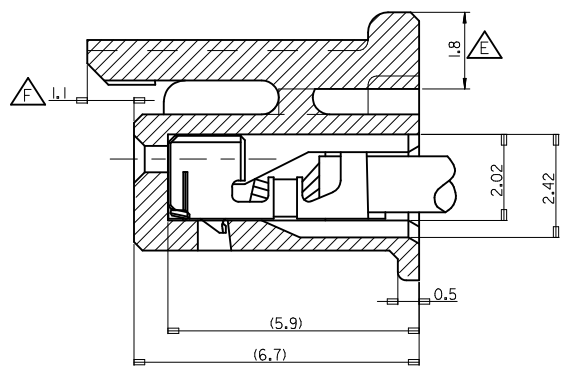
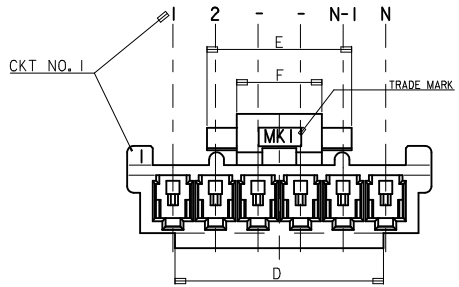


NOTES

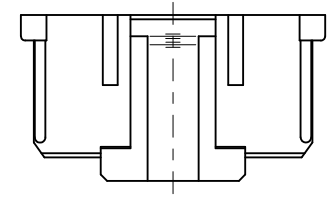
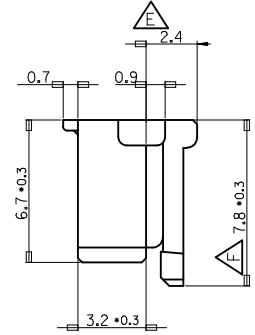
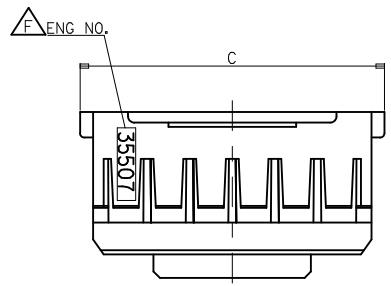
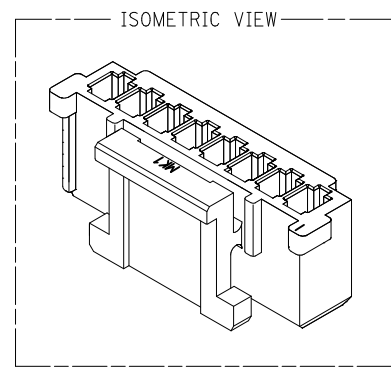
1. MATERIAL : POLYESTER, UL94V-0
2. FINISH : VARIABLE COLOR (SEE LEGEND)
3. PRODUCT SPECIFICATION NO : PS-35507-001
4. APPLICABLE TERMINAL : 50212-8000
5. MATES WITH : 35362-***, 35363-***

6.1	3.5	9.2	7.1	4	35507-030*	3
4.1	1.5	7.2	5.1	2	35507-020*	2
E	D	C	B	A	ENG NO.	CKT

SYMBOLS	THIS DRAWING CONTAINS INFORMATION THAT IS PROPRIETARY TO MOLEX ELECTRONIC TECHNOLOGIES, LLC AND SHOULD NOT BE USED WITHOUT WRITTEN PERMISSION	CURRENT REV DESC:		molex																															
	<table border="1"> <tr> <th>SYMBOLS</th> <th>DIMENSION UNITS</th> <th>SCALE</th> </tr> <tr> <td>▽ = 0</td> <td>mm</td> <td>1:1</td> </tr> <tr> <td>▽ = 0</td> <td colspan="2">GENERAL TOLERANCES (UNLESS SPECIFIED)</td> </tr> <tr> <td>▽ = 0</td> <td>ANGULAR TOL</td> <td>± °</td> </tr> <tr> <td>▽ = 0</td> <td>4 PLACES</td> <td>±</td> </tr> <tr> <td>▽ = 0</td> <td>3 PLACES</td> <td>±</td> </tr> <tr> <td>▽ = 0</td> <td>2 PLACES</td> <td>±</td> </tr> <tr> <td>▽ = 0</td> <td>1 PLACE</td> <td>±</td> </tr> <tr> <td>▽ = 0</td> <td>0 PLACES</td> <td>±</td> </tr> <tr> <td>■ = 0</td> <td colspan="2">DRAFT WHERE APPLICABLE MUST REMAIN WITHIN DIMENSIONS</td> </tr> <tr> <td>▽ = 0</td> <td colspan="2">THIRD ANGLE PROJECTION</td> </tr> </table>	SYMBOLS	DIMENSION UNITS		SCALE	▽ = 0	mm	1:1	▽ = 0	GENERAL TOLERANCES (UNLESS SPECIFIED)		▽ = 0	ANGULAR TOL	± °	▽ = 0	4 PLACES	±	▽ = 0	3 PLACES	±	▽ = 0	2 PLACES	±	▽ = 0	1 PLACE	±	▽ = 0	0 PLACES	±	■ = 0	DRAFT WHERE APPLICABLE MUST REMAIN WITHIN DIMENSIONS		▽ = 0	THIRD ANGLE PROJECTION	
SYMBOLS	DIMENSION UNITS	SCALE																																	
▽ = 0	mm	1:1																																	
▽ = 0	GENERAL TOLERANCES (UNLESS SPECIFIED)																																		
▽ = 0	ANGULAR TOL	± °																																	
▽ = 0	4 PLACES	±																																	
▽ = 0	3 PLACES	±																																	
▽ = 0	2 PLACES	±																																	
▽ = 0	1 PLACE	±																																	
▽ = 0	0 PLACES	±																																	
■ = 0	DRAFT WHERE APPLICABLE MUST REMAIN WITHIN DIMENSIONS																																		
▽ = 0	THIRD ANGLE PROJECTION																																		
<table border="1"> <tr> <th>GENERAL TOLERANCE</th> <th>30 over</th> <th>±0.3</th> </tr> <tr> <th></th> <th>10 over 30 under</th> <th>±0.25</th> </tr> <tr> <th></th> <th>10 under</th> <th>±0.2</th> </tr> <tr> <th></th> <th>ANGLE</th> <th>±3°</th> </tr> </table>	GENERAL TOLERANCE	30 over	±0.3		10 over 30 under	±0.25		10 under	±0.2		ANGLE	±3°	<table border="1"> <tr> <th>DOCUMENT NUMBER</th> <th>DOC TYPE</th> <th>DOC PART</th> <th>REVISION</th> </tr> <tr> <td>SD-35507-001</td> <td>PSD</td> <td>002</td> <td>G2</td> </tr> </table>	DOCUMENT NUMBER	DOC TYPE	DOC PART	REVISION	SD-35507-001	PSD	002	G2	<table border="1"> <tr> <th>MATERIAL NUMBER</th> <th>CUSTOMER</th> <th>SHEET NUMBER</th> </tr> <tr> <td>SEE TABLE</td> <td>GENERAL MARKET</td> <td>1 OF 1</td> </tr> </table>	MATERIAL NUMBER	CUSTOMER	SHEET NUMBER	SEE TABLE	GENERAL MARKET	1 OF 1							
GENERAL TOLERANCE	30 over	±0.3																																	
	10 over 30 under	±0.25																																	
	10 under	±0.2																																	
	ANGLE	±3°																																	
DOCUMENT NUMBER	DOC TYPE	DOC PART	REVISION																																
SD-35507-001	PSD	002	G2																																
MATERIAL NUMBER	CUSTOMER	SHEET NUMBER																																	
SEE TABLE	GENERAL MARKET	1 OF 1																																	



TERMINAL INSERTED DRAWING
SCALE 8:1

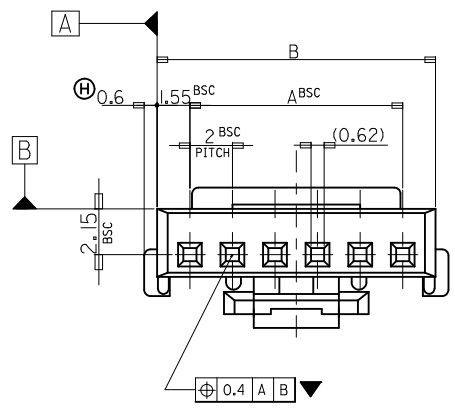


NOTES

1. MATERIAL : POLYESTER, NON GLASS FILLED, UL94V-0
2. FINISH : VARIABLE COLOR (SEE LEGEND)
3. PRODUCT SPECIFICATION : PS-35507-001
4. APPLICABLE TERMINAL : 50212-8000
5. MATES WITH : 35362-***, 35363-***

LEGEND

CKT NO.	**0*	COLOR	0 : NATURAL
			1 : BLACK
			2 : RED
			3 : YELLOW
			4 : BLUE
			5 : GREEN



8.0	10.8	37.8	42.3	41.1	38	35507200*	35507-200*	20
8.0	10.8	35.8	40.3	39.1	36	35507190*	35507-190*	19
8.0	10.8	33.8	38.3	37.1	34	35507180*	35507-180*	18
8.0	10.8	31.8	36.3	35.1	32	35507170*	35507-170*	17
8.0	10.8	29.8	34.3	33.1	30	35507160*	35507-160*	16
F	E	D	C	B	A	MATERIAL NO.	ENG NO.	CKT

REVISED EC NO: KOR2008-0029 DRWN: JHLEE05 2009/12/18 CHKD: KSK IM 2009/12/18 APPR: YUNSIKKIM 2009/12/18	QUALITY SYMBOLS	GENERAL TOLERANCES (UNLESS SPECIFIED)	DIMENSION STYLE	SCALE	DESIGN UNITS	THIRD ANGLE PROJECTION
	▼ = 0 ◻ = 0	mm INCH 4 PLACES ± --- ± --- 3 PLACES ± --- ± --- 2 PLACES ± --- ± --- 1 PLACE ± --- ± --- ANGULAR ± ---°	MM ONLY	1:1	METRIC	
	DESCRIPTION	DRAFT WHERE APPLICABLE MUST REMAIN WITHIN DIMENSIONS	DRAWN BY	DATE	TITLE	MOLEX INCORPORATED SD-35507-001 SHEET NO. 3 OF 3
	REV		CHECKED BY	DATE	2.0 W-T-B CONN HOUSING	
			APPROVED BY	DATE	SEE TABLE	
			MATERIAL NO.	DOCUMENT NO.		