

42531-2 ✓ ACTIVE

SHUR-PLUG 180

TE Internal #: 42531-2

Crimp Wire Pins, Tabs & Ferrules, Shur-Plug, Pin Diameter 4.57 mm [.18 in], 20 – 16 AWG Wire Size, .5 – 1.3 mm² Wire Size, SHUR-PLUG 180

[View on TE.com >](#)



Terminals & Splices > Crimp Wire Pins, Tabs & Ferrules



Crimp Wire Pin, Tab & Ferrule Terminal Type: **Shur-Plug**

Pin Diameter: **4.57 mm [.18 in]**

Accepts Wire Insulation Diameter Range: **2.29 – 3.05 mm, 3.05 mm [.09 – .12 in, .12 in]**

Wire Size: **.5 – 1.3 mm²**

Features

Product Type Features

Compatible With Discrete Wire Type	Solid, Stranded
------------------------------------	-----------------

Configuration Features

Compatible With Wire & Cable Type	Discrete Wire
-----------------------------------	---------------

Contact Features

Crimp Wire Pin, Tab & Ferrule Terminal Type	Shur-Plug
---	-----------

Barrel Type	Open
-------------	------

Terminal Plating Material	Tin
---------------------------	-----

Terminal Orientation	Straight
----------------------	----------

Mechanical Attachment

Wire Insulation Support	With
-------------------------	------

Dimensions

Pin Diameter	4.57 mm [.18 in]
--------------	------------------

Accepts Wire Insulation Diameter Range	2.29 – 3.05 mm, 3.05 mm [.09 – .12 in] [.12 in]
--	---

Wire Size	1021 – 2582 CMA
-----------	-----------------



Barrel Inside Diameter	1.29 mm, 2.54 mm[.051 in][.1 in]
Terminal Material Thickness	.41 mm[.016 in]
Overall Product Length	19.94 mm[.785 in]

Usage Conditions

Insulation Option	Uninsulated
Operating Temperature Range	-40 – 105 °C[-40 – 221 °F]

Operation/Application

Heavy Duty	No
------------	----

Packaging Features

Packaging Quantity	12500
Packaging Method	Reel

Other

Comment	Has indent.
---------	-------------

Product Compliance

[For compliance documentation, visit the product page on TE.com>](#)

EU RoHS Directive 2011/65/EU	Compliant
EU ELV Directive 2000/53/EC	Compliant
China RoHS 2 Directive MIIT Order No 32, 2016	No Restricted Materials Above Threshold
EU REACH Regulation (EC) No. 1907/2006	Current ECHA Candidate List: JUNE 2022 (224) Candidate List Declared Against: JAN 2022 (223) SVHC > Threshold: Not Yet Reviewed
Halogen Content	Low Halogen - Br, Cl, F, I < 900 ppm per homogenous material. Also BFR/CFR/PVC Free
Solder Process Capability	Not applicable for solder process capability

Product Compliance Disclaimer

This information is provided based on reasonable inquiry of our suppliers and represents our current actual knowledge based on the information they provided. This information is subject to change. The part numbers that TE has identified as EU RoHS compliant have a maximum concentration of 0.1% by weight in homogenous materials for lead, hexavalent chromium, mercury, PBB, PBDE, DBP, BBP, DEHP, DIBP, and 0.01% for cadmium, or qualify for an exemption to these limits as defined in the Annexes of Directive 2011/65/EU (RoHS2). Finished electrical and electronic equipment products will be CE marked as required by Directive 2011/65/EU. Components may not be CE marked. Additionally, the part numbers that TE has identified as EU ELV compliant have a maximum concentration of 0.1% by weight in homogenous materials for lead, hexavalent chromium, and mercury, and 0.01% for cadmium, or qualify for an exemption to these limits as defined in the Annexes of Directive 2000/53/EC (ELV). Regarding the REACH Regulation, the information TE provides

on SVHC in articles for this part number is based on the latest European Chemicals Agency (ECHA) 'Guidance on requirements for substances in articles' posted at this URL: <https://echa.europa.eu/guidance-documents/guidance-on-reach>

Compatible Parts



TE Part # 1217074-2
SHUR PLUG 180 RECEPTACLE 2-8 AWG TPBR



TE Part # 42700-1
SHUR PLUG 180 RECEPTACLE 20-16 AWG BR



TE Part # 42749-1
SHUR PLUG 180 REC 20-16 AWG BR



TE Part # 62757-1
225 DIA PIN 18-14 016BR



TE Part # 2-2150372-2
OCEAN_2.0 APPLICATOR-E-090F130O



TE Part # 2150372-2
OCEAN_2.0 APPLICATOR-E-090F130O




TE Part # 7-2150372-2
OCEAN_2.0 APPLICATOR-E-090F130O



TE Part # 7-2150372-7
OCEAN_2.0 SPARE PART KIT-090F130O


Also in the Series | SHUR-PLUG 180



Crimp Terminal Housings(6)



Crimp Wire Pins, Tabs & Ferrules(37)

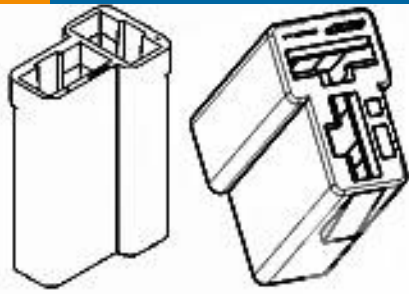


Special Purpose Terminals(1)

Customers Also Bought



TE Part #DTHD06-1-12S-E003
PLG, 1P, BLK, N, SIZE 12, CAP



TE Part #480115-3
FF 250 REC HSG 2P NYLON BLACK



TE Part #5-583853-3
TWIN LEAF TERM. STRIP CSTL



TE Part #61375-1
250 FASTON REC 18-14 AWG TPBR



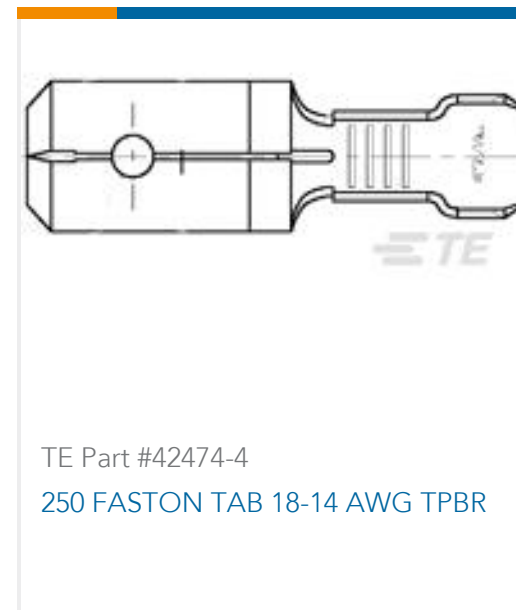
TE Part #1-1823440-3
22POS, MIXED, REC HSG, ASSY,
SEALED



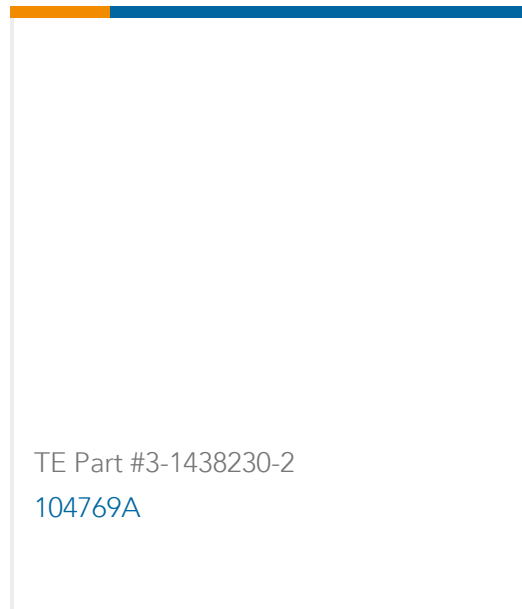
TE Part #SRK-BS-MD-90-001
BKSHL, MED, BLK, RA, NW 17/22



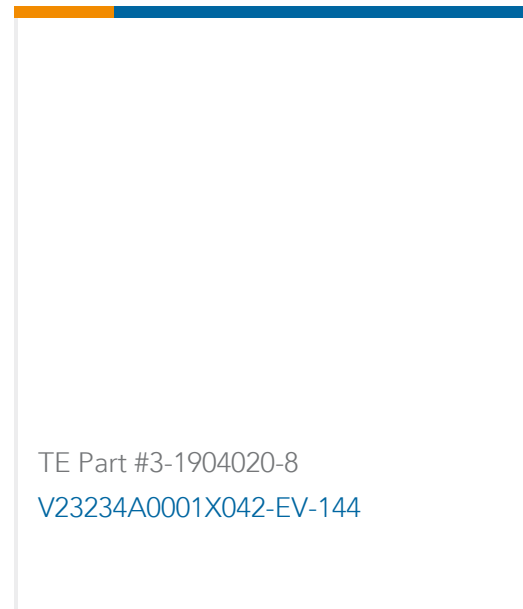
TE Part #160467-2
RT IS 1.0-2.5MM2 0.315 X .708 TPBR



TE Part #42474-4
250 FASTON TAB 18-14 AWG TPBR



TE Part #3-1438230-2
104769A



TE Part #3-1904020-8
V23234A0001X042-EV-144

Documents

Product Drawings

SHUR PLUG 180 RECEPTACLE 20-16 AWG TPBR

English

CAD Files

3D PDF

3D

Customer View Model

[ENG_CVM_CVM_42531-2_BD.2d_dxf.zip](#)

English

Customer View Model

[ENG_CVM_CVM_42531-2_BD.3d_igs.zip](#)

English

Customer View Model

[ENG_CVM_CVM_42531-2_BD.3d_stp.zip](#)

English

By downloading the CAD file I accept and agree to the [Terms and Conditions](#) of use.

Product Specifications

Application Specification

English

Product Environmental Compliance

[MD_42531-2_02212018848_dmtec](#)

English

[MD_42531-2_02212018848_dmtec](#)

English



[Agency Approvals](#)

[Agency Approval Document](#)

English