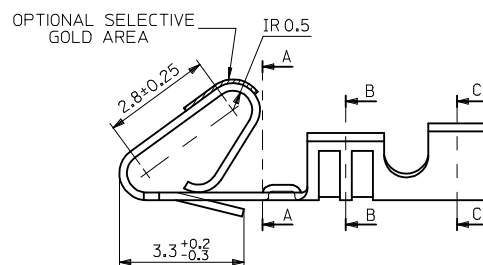
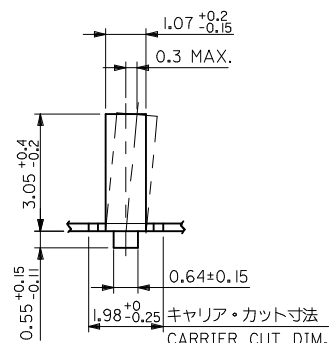


REEL WINDING DIRECTION
(NOT TO SCALE)



39-00-0107	2759PBT	バラ状 LOOSE	0.00091 MIN REFLOWED TIN	
39-00-0064	PBT	連鎖状 CHAIN		リン 青銅 PHOS BRO.
39-00-0381	PBGL	バラ状 LOOSE	SELECTIVE GOLD: 0.00038 MIN. OVERALL GOLD FLASH: 0.00005-0.00025 OVERALL NICKEL UNDERPLATE: 0.00076 MIN.	
39-00-0380	PBG	連鎖状 CHAIN		
39-00-0377	GL	バラ状 LOOSE	SELECTIVE GOLD: 0.00038 MIN. OVERALL GOLD FLASH: 0.00005-0.00025 OVERALL NICKEL UNDERPLATE: 0.00076 MIN.	黄銅 BRASS
39-00-0376	G	連鎖状 CHAIN		
39-00-0374	GS	連鎖状 CHAIN		
39-00-0373	TL	バラ状 LOOSE	0.00089 MIN REFLOWED TIN OVER 0.00051 MIN COPPER UNDERPLATE	
39-00-0372	2759 T	連鎖状 CHAIN		
EDP.NO.	ENG.NO.	端子形状 FORM	メッキ仕様 FINISH	材質 MATL

NOTES:

1. MATERIAL: SEE CHART
2. FINISH: SEE CHART
3. PRODUCT SPECIFICATION PS-10-07
4. 芯ズレ 0.13最大
DIM 1.98 ±0.25 TO BE SYMMETRICAL
WITHIN 0.13 T.I.R
5. THIS PART CONFORMS TO CLASS B REQUIREMENTS OF
COSMETIC SPECIFICATION PS-45499-002

0.55 WAS 0.34 EC NO: UCP2015-0313 DRAWN: KIPPER 2014/07/23 CHKD: JELL 2014/07/23 APPR: FSMITH 2014/07/31	QUALITY SYMBOLS 	GENERAL TOLERANCES (UNLESS SPECIFIED)		DIMENSION STYLE		SCALE	DESIGN UNITS	THIRD ANGLE PROJECTION			
				MM ONLY			METRIC				
						DRAWN BY DATE		TITLE			
						K. KOHAMA 2000/03/28		MINI, KK, CRIMP TYPE TERM			
				CHECKED BY DATE							
				K. ASAKAWA 2002/04/08							
				APPROVED BY DATE							
						MATERIAL NO.		DOCUMENT NO.		SHEET NO.	
				ANGULAR ± --- °		SEE CHART		SD-2759*		1 OF 1	
				DRAFT WHERE APPLICABLE MUST REMAIN WITHIN DIMENSIONS		THIS DRAWING CONTAINS INFORMATION THAT IS PROPRIETARY TO MOLEX INCORPORATED AND SHOULD NOT BE USED WITHOUT WRITTEN PERMISSION					

