

42100-2 ✓ ACTIVE

FASTIN-FASTON | FASTIN-FASTON 250

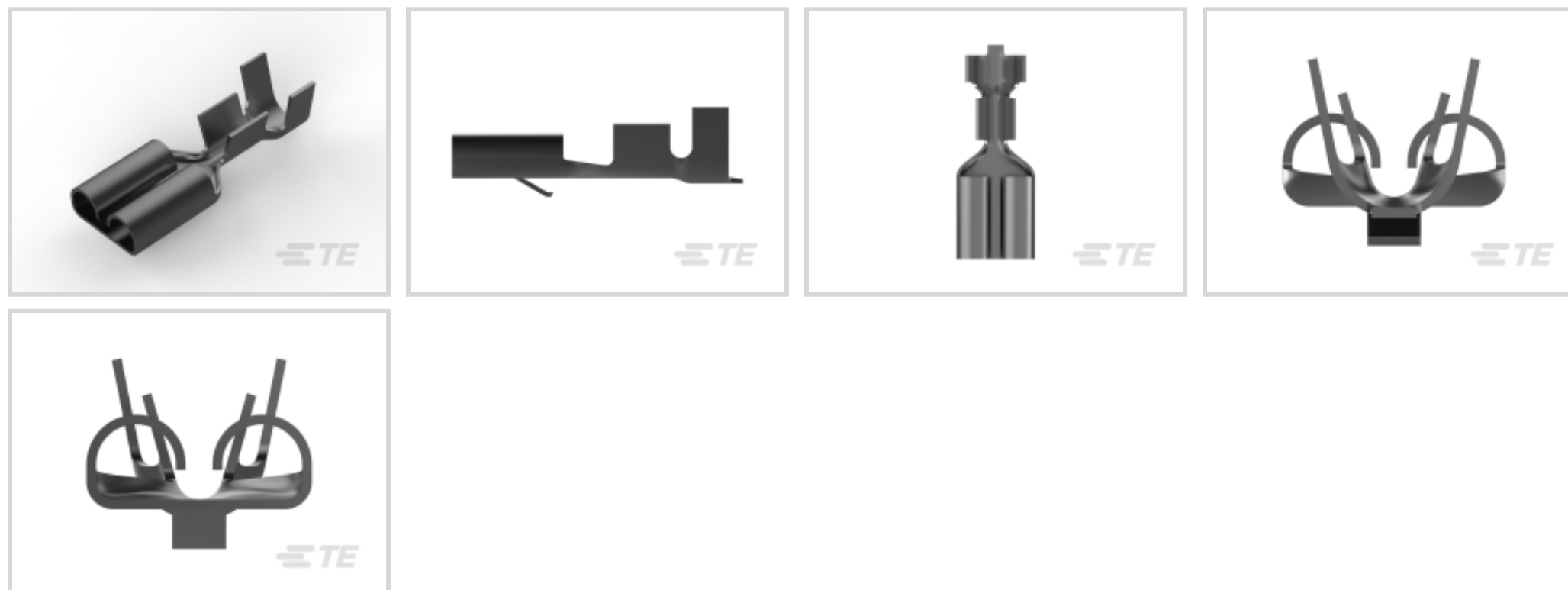
TE Internal #: 42100-2

Quick Disconnects, Receptacle, 18 – 14 AWG Wire Size, .82 – 2.08 mm² Wire Size, Mating Tab Width .25 in [6.35 mm], Straight, Brass, FASTIN-FASTON 250

[View on TE.com >](#)



Terminals & Splices > Quick Disconnects



Quick Disconnect Terminal Type: **Receptacle**

Wire Size: **.82 – 2.08 mm²**

Mating Tab Width: **6.35 mm [.25 in]**

Mating Tab Thickness: **.81 mm [.032 in]**

Features

Product Type Features

Terminates To	Wire & Cable
Wire/Cable Type	Regular Wire
Insertion Force	Normal
Sealable	No

Configuration Features

Connection Capacity	Single
---------------------	--------

Contact Features

Quick Disconnect Terminal Type	Receptacle
Mating Tab Width	6.35 mm [.25 in]
Mating Tab Thickness	.81 mm [.032 in]
Terminal Orientation	Straight
Contact Base Material	Brass
Terminal Plating Material	Tin
Crimp Type	F-Crimp
Barrel Type	Open



Mechanical Attachment

Mating Retention Type	Locking Lance
Wire Insulation Support	With

Dimensions

Accepts Wire Insulation Diameter Range	2.54 – 4.32 mm [.1 – .17 in]
Overall Length	21.34 mm [.84 in]
Receptacle Terminal Stock Thickness	.3 mm [.012 in]
Wire Size	.82 – 2.08 mm ²

Usage Conditions

Insulation Option	Uninsulated
Operating Temperature Range	-40 – 110 °C [-40 – 230 °F]

Industry Standards

UL Rating	Recognized
CSA Certified	Yes

Packaging Features

Packaging Quantity	12000
Packaging Method	Strip/Reel

Product Compliance

[For compliance documentation, visit the product page on TE.com>](#)

EU RoHS Directive 2011/65/EU	Compliant
EU ELV Directive 2000/53/EC	Compliant
China RoHS 2 Directive MIIT Order No 32, 2016	No Restricted Materials Above Threshold
EU REACH Regulation (EC) No. 1907/2006	Current ECHA Candidate List: JUNE 2022 (224) Candidate List Declared Against: JUNE 2022 (224) Does not contain REACH SVHC
Halogen Content	Low Halogen - Br, Cl, F, I < 900 ppm per homogenous material. Also BFR/CFR/PVC Free
Solder Process Capability	Not applicable for solder process capability

Product Compliance Disclaimer

This information is provided based on reasonable inquiry of our suppliers and represents our current actual knowledge based on the information they provided. This information is subject to change. The part numbers that TE has identified as EU RoHS compliant have a maximum concentration of 0.1% by weight in homogenous materials for lead, hexavalent chromium, mercury, PBB, PBDE, DBP, BBP, DEHP, DIBP, and 0.01% for cadmium, or qualify for an exemption to these limits as defined in the Annexes of Directive 2011/65/EU (RoHS2). Finished electrical and electronic equipment products will be CE marked as required by Directive 2011/65/EU. Components may not be CE marked. Additionally, the part numbers that TE has identified as EU ELV compliant have a maximum concentration of 0.1% by weight in homogenous materials for lead, hexavalent chromium, and mercury, and 0.01% for cadmium, or qualify for an exemption to these limits as defined in the Annexes of Directive 2000/53/EC (ELV). Regarding the REACH Regulation, the information TE provides on SVHC in articles for this part number is based on the latest European Chemicals Agency (ECHA) 'Guidance on requirements for substances in articles' posted at this URL: <https://echa.europa.eu/guidance-documents/guidance-on-reach>

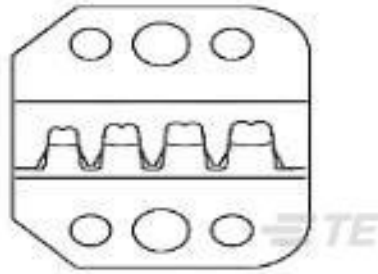
Compatible Parts



TE Part # 63833-1
FF 187 REC 18-14AWG BR



TE Part # 58524-1
PROCRIMPER TOOL & DIE



TE Part # 58524-2
PROCRIMPER DIE



TE Part # 157480-2
FF 250 REC 0.8-2MM2 TPBR



TE Part # 2-2150238-1
OCEAN_2.0_Applicator-E-110F180F



TE Part # 2-2150238-2
OCEAN_2.0_Applicator-E-110F180F



TE Part # 2-2150843-1
OCEAN_2.0_Applicator-E-100F180F



TE Part # 2-2150843-2
OCEAN_2.0_Applicator-E-100F180F



TE Part # 2150238-1
OCEAN_2.0_Applicator-E-110F180F



TE Part # 2150238-2
OCEAN_2.0_Applicator-E-110F180F



TE Part # 2150843-1
OCEAN_2.0_Applicator-E-100F180F



TE Part # 2150843-2
OCEAN_2.0_Applicator-E-100F180F




KIT
TE Part # 7-2150238-7
OCEAN_2.0_SPARE_PART_KIT-110F180F



TE Part # 7-2150843-1
OCEAN_2.0_Applicator-E-100F180F



TE Part # 7-2150843-2
OCEAN_2.0_Applicator-E-100F180F



KIT
TE Part # 7-2150843-7
OCEAN_2.0_SPARE_PART_KIT-100F180F

Also in the Series | FASTIN-FASTON 250



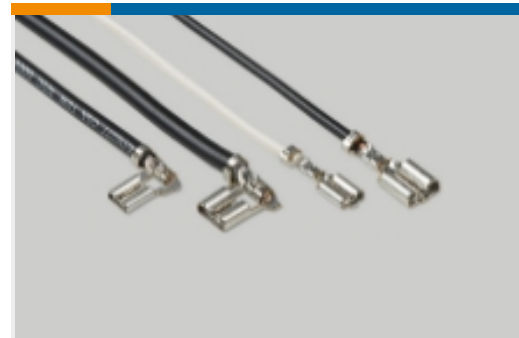
Crimp Terminal Housings(218)



Insertion & Extraction Tools(2)

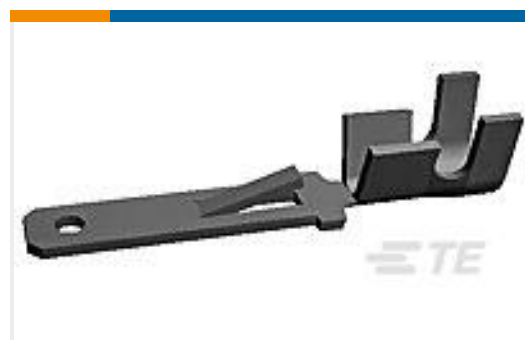
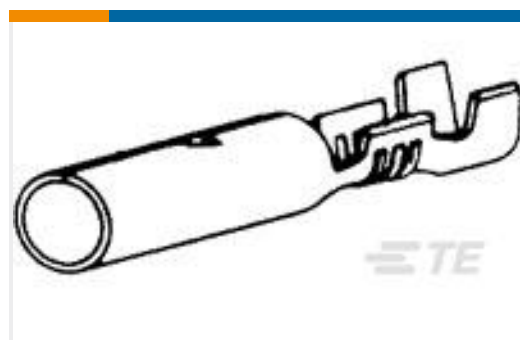
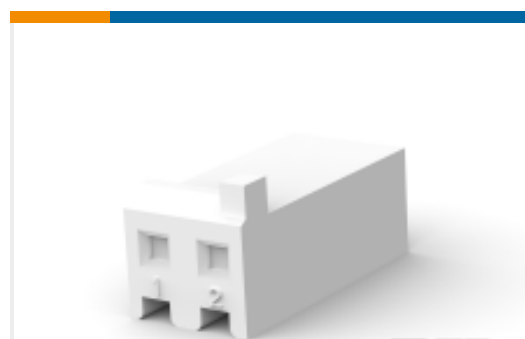
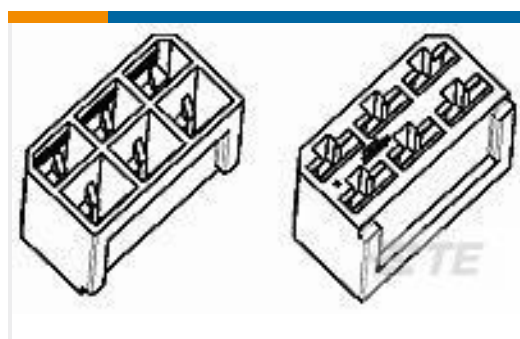
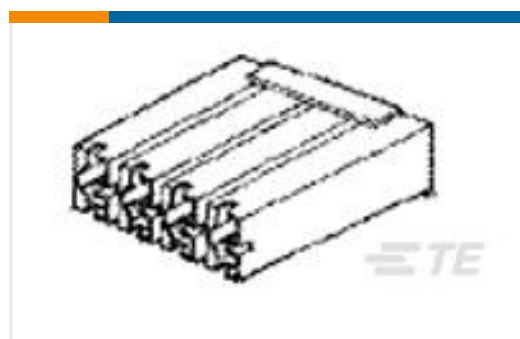
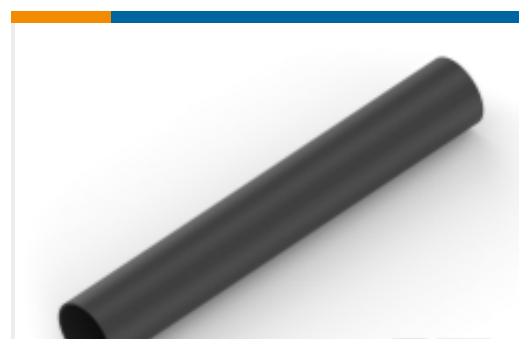


PCB Terminals(2)



Quick Disconnects(255)

Customers Also Bought

TE Part #42098-2
FF 250 TAB 18-14 AWG PTPBTE Part #61867-2
RING CRIMP 18-14 AWG TPBRTE Part #60798-2
SHUR PLUG 180 RECEPTACLE 18-14 AWG BRTE Part #440146-7
1.25mm WTB Socket,Housing,7pTE Part #647664-2
02P SL156 HSG SPCL SINGLE TABTE Part #1-480281-0
FF 250 REC HSG 6P NYLON BLACKTE Part #174429-1
PL 250 HOUSING RECEPTACLETE Part #EK5493-000
ES2000-NO.8-A1-0-2INTE Part #EM82616001
VERSAFIT-3/4-2-64MM

Documents

Product Drawings

FF 250 REC 18-14AWG TPBR

English

CAD Files

3D PDF

3D



Customer View Model

[ENG_CVM_CVM_42100-2_DS_c-42100-2-ds.2d_dxf.zip](#)

English

Customer View Model

[ENG_CVM_CVM_42100-2_DS_c-42100-2-ds.3d_igs.zip](#)

English

Customer View Model

[ENG_CVM_CVM_42100-2_DS_c-42100-2-ds.3d_stp.zip](#)

English

By downloading the CAD file I accept and agree to the [Terms and Conditions](#) of use.

Datasheets & Catalog Pages

[1654742_HOUSEHOLD_APPLIANCES_RAST5](#)

English

[FASTIN_FASTON_Product_Line](#)

English

[Positive Lock Receptacles](#)

English

Product Specifications

[Engineering Report](#)

English

Product Environmental Compliance

[MD_42100-2_092520181021_dmtec](#)

English

[MD_42100-2_092520181021_dmtec](#)

English

Instruction Sheets

[Instruction Sheet \(non U.S.\)](#)

Japanese

[Instruction Sheet \(non U.S.\)](#)

Japanese