

42559-1 ✓ ACTIVE

FASTON | FASTON 250

TE Internal #: 42559-1

Quick Disconnects, Tab, Mating Tab Width .25 in [6.35 mm],
Straight, Steel, Nickel Plating, Loose Piece/Carton, F-Crimp, Open,
FASTON 250

[View on TE.com >](#)



Terminals & Splices > Quick Disconnects



Quick Disconnect Terminal Type: **Tab**

Mating Tab Width: **6.35 mm [.25 in]**

Mating Tab Thickness: **.81 mm [.032 in]**

Terminal Orientation: **Straight**

Contact Base Material: **Steel**

Features

Product Type Features

Terminates To	Wire & Cable
Wire Stop	No
Wire/Cable Type	Regular Wire
Insertion Force	Normal
Sealable	No

Configuration Features

Connection Capacity	Single
---------------------	--------

Contact Features

Quick Disconnect Terminal Type	Tab
Mating Tab Width	6.35 mm[.25 in]
Mating Tab Thickness	.81 mm[.032 in]
Terminal Orientation	Straight
Contact Base Material	Steel
Terminal Plating Material	Nickel



Crimp Type	F-Crimp
Barrel Type	Open

Mechanical Attachment

Mating Retention Type	Dimple
Wire Insulation Support	Without

Dimensions

Overall Length	16.13 mm[.635 in]
Receptacle Terminal Stock Thickness	.3 mm[.012 in]

Usage Conditions

Insulation Option	Uninsulated
Operating Temperature Range	-40 – 250 °C[-40 – 482 °F]

Industry Standards

UL Rating	Recognized
CSA Certified	Yes

Packaging Features

Packaging Quantity	1000
Packaging Method	Loose Piece/Carton

Other

Comment	Dimple (both sides).
---------	----------------------

Product Compliance

[For compliance documentation, visit the product page on TE.com>](#)

EU RoHS Directive 2011/65/EU	Compliant
EU ELV Directive 2000/53/EC	Compliant
China RoHS 2 Directive MIIT Order No 32, 2016	No Restricted Materials Above Threshold
EU REACH Regulation (EC) No. 1907/2006	Current ECHA Candidate List: JUNE 2022 (224) Candidate List Declared Against: JAN 2022 (223) SVHC > Threshold: Not Yet Reviewed
Halogen Content	Low Halogen - Br, Cl, F, I < 900 ppm per homogenous material. Also BFR/CFR/PVC Free

Solder Process Capability

Not applicable for solder process capability

Product Compliance Disclaimer

This information is provided based on reasonable inquiry of our suppliers and represents our current actual knowledge based on the information they provided. This information is subject to change. The part numbers that TE has identified as EU RoHS compliant have a maximum concentration of 0.1% by weight in homogenous materials for lead, hexavalent chromium, mercury, PBB, PBDE, DBP, BBP, DEHP, DIBP, and 0.01% for cadmium, or qualify for an exemption to these limits as defined in the Annexes of Directive 2011/65/EU (RoHS2). Finished electrical and electronic equipment products will be CE marked as required by Directive 2011/65/EU. Components may not be CE marked. Additionally, the part numbers that TE has identified as EU ELV compliant have a maximum concentration of 0.1% by weight in homogenous materials for lead, hexavalent chromium, and mercury, and 0.01% for cadmium, or qualify for an exemption to these limits as defined in the Annexes of Directive 2000/53/EC (ELV). Regarding the REACH Regulation, the information TE provides on SVHC in articles for this part number is based on the latest European Chemicals Agency (ECHA) 'Guidance on requirements for substances in articles' posted at this URL: <https://echa.europa.eu/guidance-documents/guidance-on-reach>

Compatible Parts

Also in the Series | **FASTON 250**



Compression Connectors(4)



Crimp Terminal Housings(143)



Insertion & Extraction Tools(6)



Magnet Wire Terminals(1)



PCB Terminals(144)



Quick Disconnects(456)

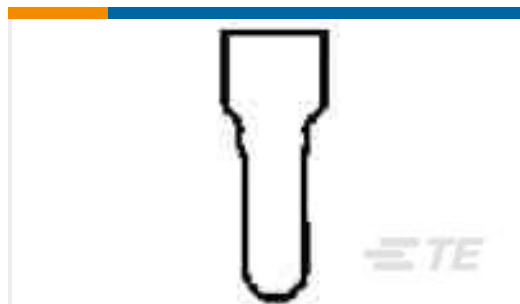


Splices(4)

Customers Also Bought



TE Part #206226-1
CPC PLUG ASSEMBLY SIZE 23-7



TE Part #8-328730-1
SPLICE,N CE 22-10



TE Part #9-2176390-9
RQ 1206 12K1 0.1% 10PPM 5K RL



TE Part #175778-2
CT. CRIMP REC HSG 2P



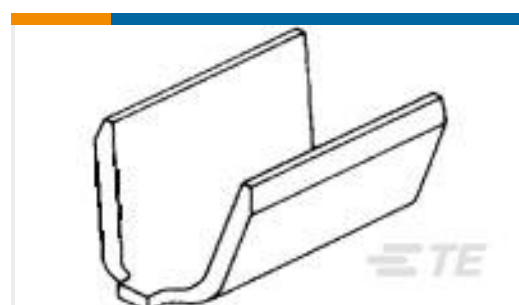
TE Part #1-175102-1
AMP CT CRIMP REC CONTACT



TE Part #66261-2
MALE CONTACT ASSY. (LP.)



TE Part #42281-1
FF 250 REC 18-14AWG BR



TE Part #41996
SPLICE 7400-10000 CMA TPBR



TE Part #CF3733-000
SST-48-15/FR/RED/97



TE Part #4-1105101-2
HE/HA-C-BU.AU.2,5

Documents



Product Drawings

250 FASTON TAB NPST

English

CAD Files

3D PDF

3D

Customer View Model

[ENG_CVM_CVM_42559-1_N.2d_dxf.zip](#)

English

Customer View Model

[ENG_CVM_CVM_42559-1_N.3d_igs.zip](#)

English

Customer View Model

[ENG_CVM_CVM_42559-1_N.3d_stp.zip](#)

English

Customer View Model

[ENG_CVM_42559-1_F1.3d_igs.zip](#)

English

Customer View Model

[ENG_CVM_42559-1_F1.3d_stp.zip](#)

English

Customer View Model

[ENG_CVM_42559-1_F1.2d_dxf.zip](#)

English

3D PDF

English

By downloading the CAD file I accept and agree to the [Terms and Conditions](#) of use.

Datasheets & Catalog Pages

FASTON Tabs

English

Product Specifications

Product Specification

English

Product Environmental Compliance

Product Compliance

English

Product Compliance

English

Agency Approvals

CSA Certificate

English



[CSA Certificate](#)

English