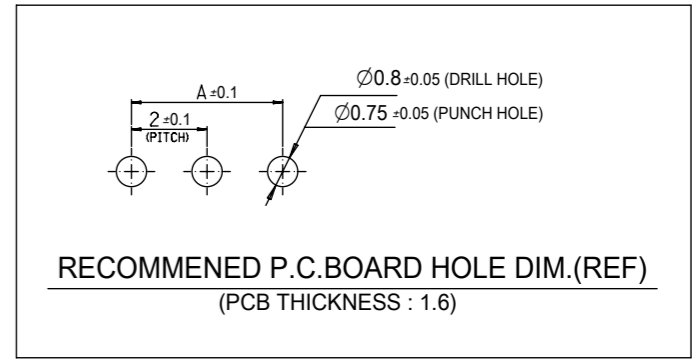
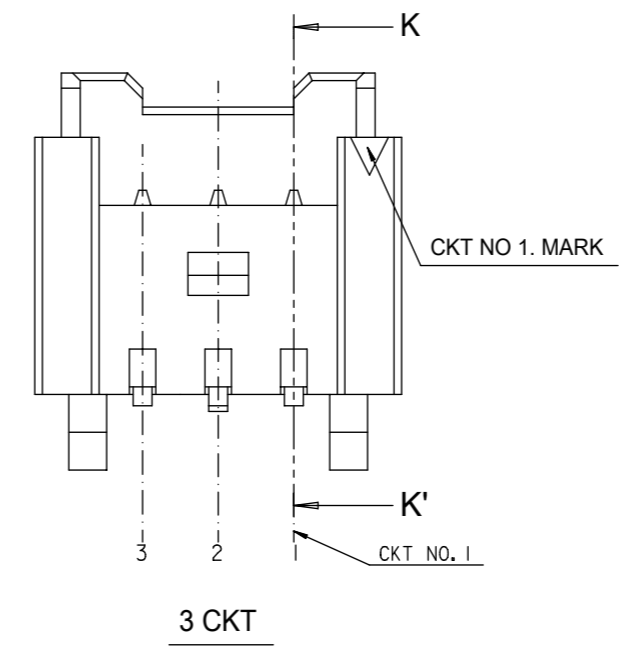
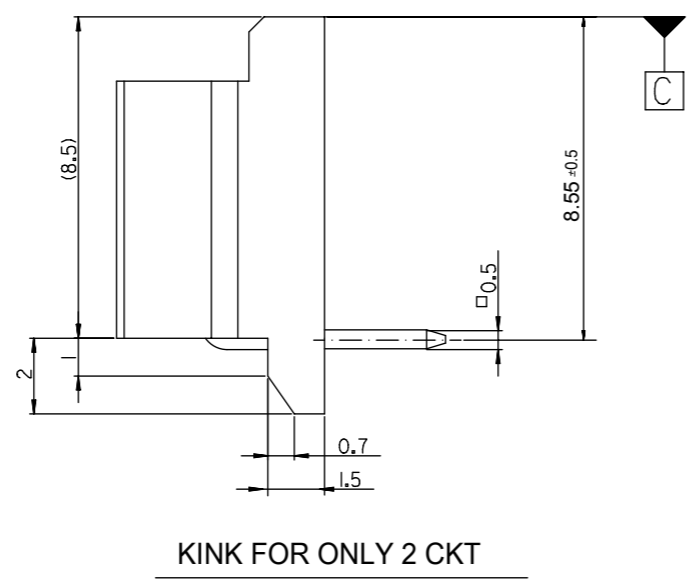
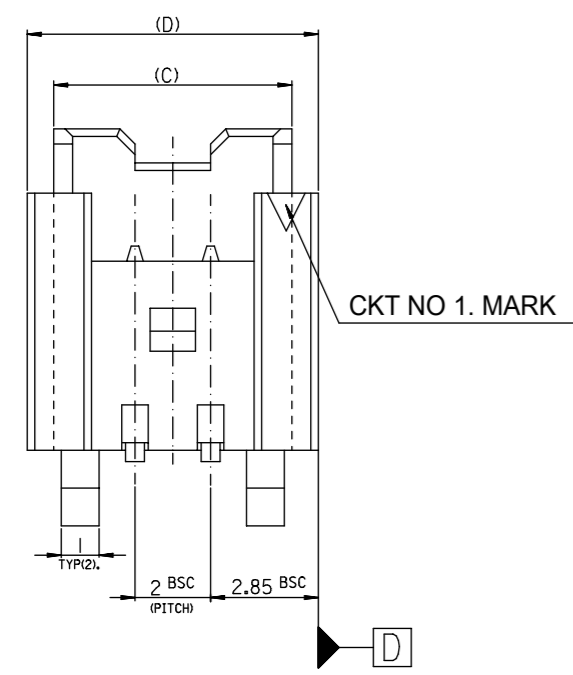
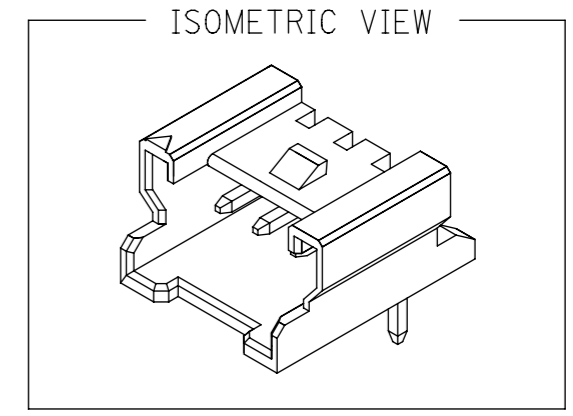
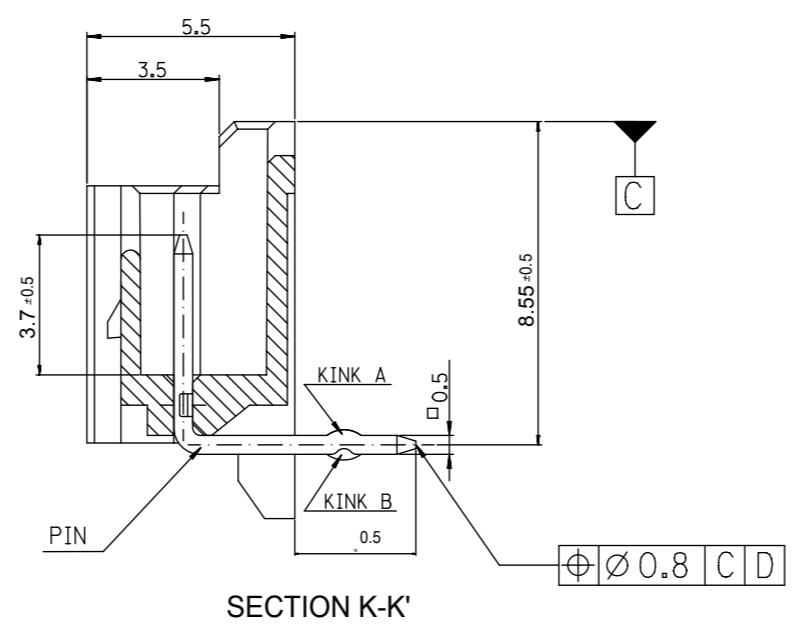
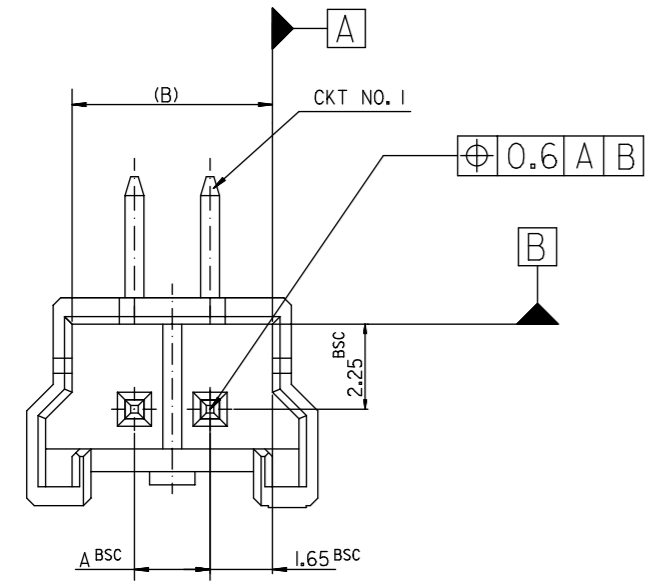


FOR 2 & 3 CKTS. LEAD FREE



LEGEND

SD-35363-** 6 * COLOR

- 0 : NATURAL
- 1 : BLACK
- 2 : RED
- 3 : YELLOW
- 4 : BLUE
- 5 : GREEN

- NOTES
- MATERIAL : WAFER - UNFILLED POLYAMIDE, UL94V-0
PIN - BRASS
 - FINISHES : PIN - Tin(Sn) 1.0~3.0m OVERALL
Cu 1.5~3.75m OVERAL
 - PRODUCT SPECIFICATION : PS-35507-003
 - MATES WITH : HOUSING - 35507-**0*
TERMINAL - 50212-8000
 - KINK

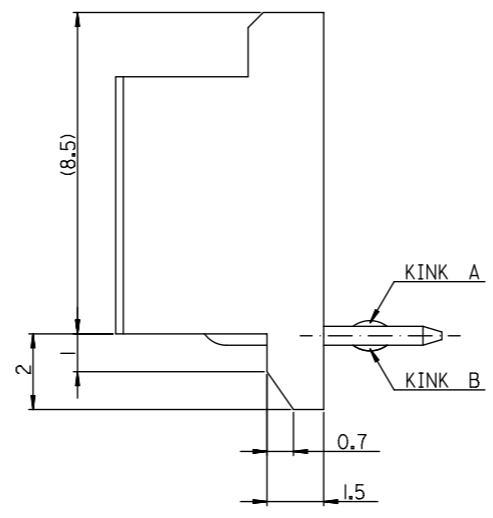
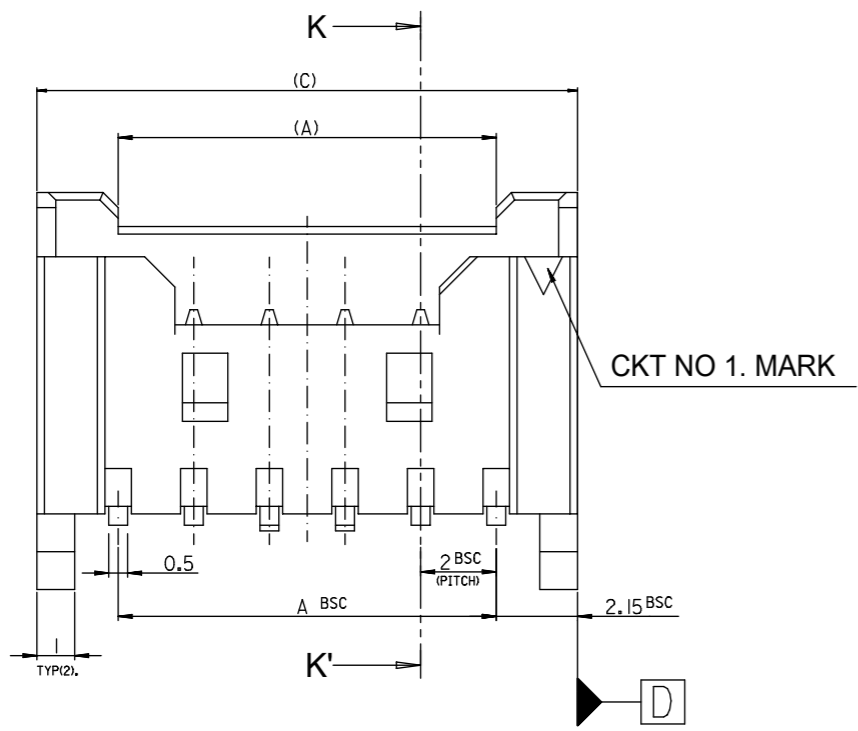
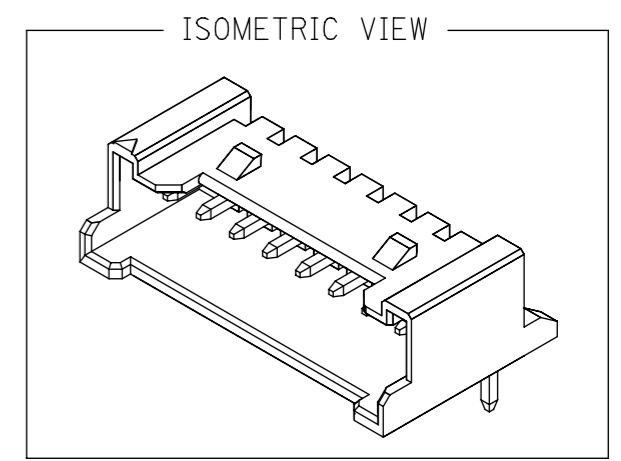
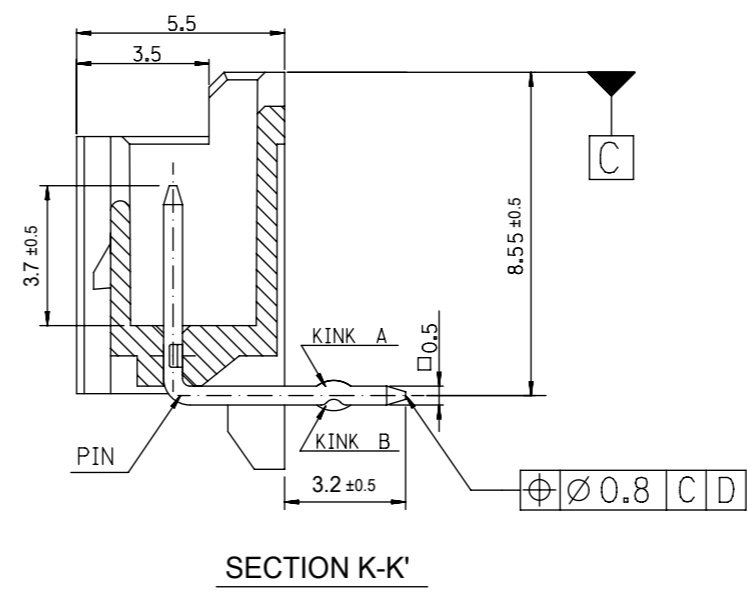
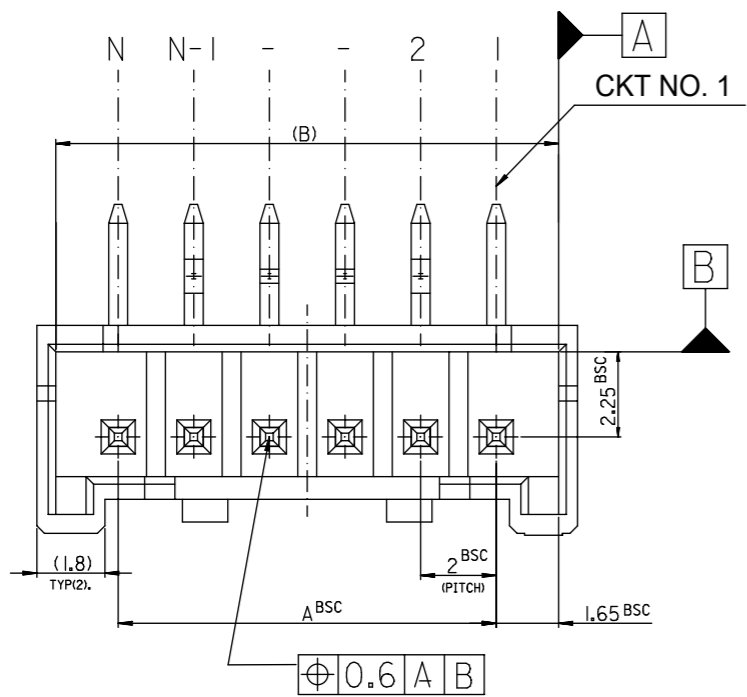
CKT	CKT NO	1	2	3
2 CKT		NONE	KINK	
3 CKT		A	B	A

9.7	8.3	7.3	4	35363036*	35363-036*	3
7.7	6.3	5.3	2	35363026*	35363-026*	2
(D)	(C)	(B)	A	MATERIAL NO.	ENG. NO.	CKT

SYMBOLS		THIS DRAWING CONTAINS INFORMATION THAT IS PROPRIETARY TO MOLEX ELECTRONIC TECHNOLOGIES, LLC AND SHOULD NOT BE USED WITHOUT WRITTEN PERMISSION		CURRENT REV DESC:			
▽ = 0	mm	SCALE	5:1	EC NO: 605910			
▽ = 0	GENERAL TOLERANCES (UNLESS SPECIFIED)		DRWN: JSSHIN		2018/10/11	2.0 W/B WAFER R/A ASS'Y -LEAD FREE-	
▽ = 0	ANGULAR TOL ± °		CHK'D: SHCHU		2018/10/15		
▽ = 0	4 PLACES ±		APPR: YSKIM02		2018/10/16	PRODUCT CUSTOMER DRAWING	
▽ = 0	3 PLACES ±		INITIAL REVISION:				
▽ = 0	2 PLACES ±		DRWN: DYJANG		2004/09/01	DOCUMENT NUMBER SD-35363-002	
▽ = 0	1 PLACE ±		APPR: CHANGWOOLEE		2004/09/02		
▽ = 0	0 PLACES ±		THIRD ANGLE PROJECTION			DOC TYPE DOC PART REVISION PSD 002 D2	
▽ = 0	DRAFT WHERE APPLICABLE MUST REMAIN WITHIN DIMENSIONS		DRAWING		A3-SIZE		
GENERAL TOLERANCE		SERIES		MATERIAL NUMBER		CUSTOMER	
		35363		SEE TABLE		GENERAL MARKET	
				SHEET NUMBER		1 OF 1	

DOCUMENT STATUS	RELEASE DATE
-----------------	--------------

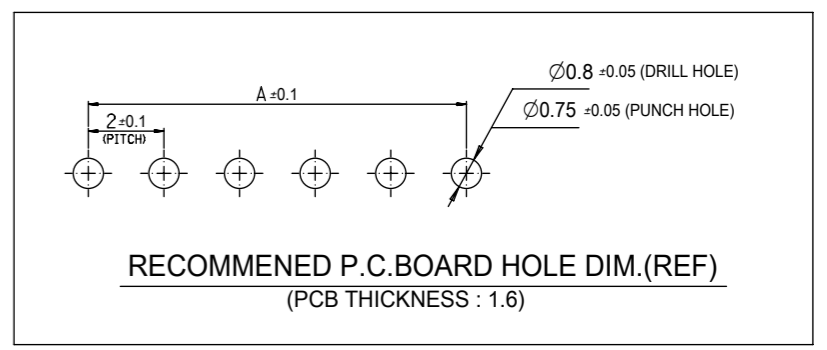
LEAD FREE



LEGEND

SD-35363-*** 6 * COLOR

- 0 : NATURAL
- 1 : BLACK
- 2 : RED
- 3 : YELLOW
- 4 : BLUE
- 5 : GREEN



NOTES

1. MATERIAL : WAFER - UNFILLED POLYAMIDE, UL94V-0
PIN - BRASS
2. FINISHES : PIN - Tin(Sn) 1.0~3.0m OVERALL
Cu 1.5~3.75m OVERAL
3. PRODUCT SPECIFICATION : PS-35507-003
4. MATES WITH : HOUSING - 35507-**0*
5. KINK

CKT	CKT NO	1	2	3	4	N-3	N-2	N-1	N
20	-	A	B	-	-	B	A	-	-

42.3	41.3	38	35363206*	35363-206*	20
(C)	(B)	A	MATERIAL NO.	ENG. NO.	CKT

THIS DRAWING CONTAINS INFORMATION THAT IS PROPRIETARY TO MOLEX ELECTRONIC TECHNOLOGIES, LLC AND SHOULD NOT BE USED WITHOUT WRITTEN PERMISSION

SYMBOLS

▽ = 0	mm	SCALE 5:1
▽ = 0	GENERAL TOLERANCES (UNLESS SPECIFIED)	
▽ = 0	ANGULAR TOL ± °	
▽ = 0	4 PLACES ±	
▽ = 0	3 PLACES ±	
▽ = 0	2 PLACES ±	
▽ = 0	1 PLACE ±	
▽ = 0	0 PLACES ±	
■ = 0	DRAFT WHERE APPLICABLE MUST REMAIN WITHIN DIMENSIONS	
▽ = 0	THIRD ANGLE PROJECTION	

GENERAL TOLERANCE

30 over	±0.3
10 over 30 under	±0.25
10 under	±0.2
ANGLE	±3°

CURRENT REV DESC:

EC NO: 605910
DRWN: JSSHIN 2018/10/11
CHK'D: SHCHU 2018/10/15
APPR: YSKIM02 2018/10/16

INITIAL REVISION:
DRWN: DYJANG 2004/09/01
APPR: CHANGWOOLEE 2004/09/02

molex

2.0 W/B WAFER R/A ASS'Y
-LEAD FREE-

PRODUCT CUSTOMER DRAWING

DOCUMENT NUMBER	DOC TYPE	DOC PART	REVISION
SD-35363-002	PSD	003	D2

MATERIAL NUMBER	CUSTOMER	SHEET NUMBER
SEE TABLE	GENERAL MARKET	1 OF 1

DOCUMENT STATUS	RELEASE DATE
-----------------	--------------