

42868-1 ✓ ACTIVE

SHUR-PLUG 180

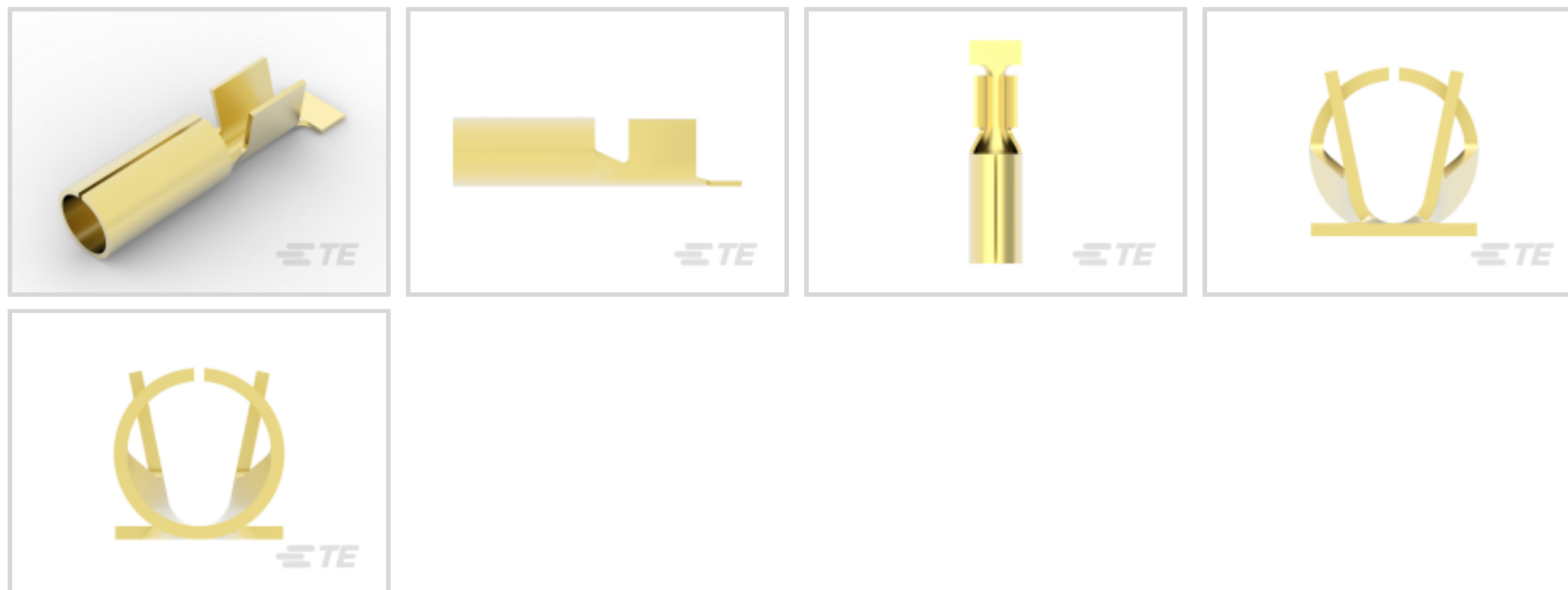
TE Internal #: 42868-1

Crimp Wire Pins, Tabs & Ferrules, Shur-Plug, Pin Diameter 4.57 mm [.18 in], 14 – 10 AWG Wire Size, 2 – 6 mm² Wire Size, SHUR-PLUG 180

[View on TE.com >](#)



Terminals & Splices > Crimp Wire Pins, Tabs & Ferrules



Crimp Wire Pin, Tab & Ferrule Terminal Type: **Shur-Plug**

Pin Diameter: **4.57 mm [.18 in]**

Wire Size: **9600 CMA**

Features

Product Type Features

Compatible With Discrete Wire Type	Solid, Stranded
------------------------------------	-----------------

Configuration Features

Compatible With Wire & Cable Type	Discrete Wire
-----------------------------------	---------------

Contact Features

Crimp Wire Pin, Tab & Ferrule Terminal Type	Shur-Plug
---	-----------

Barrel Type	Open
-------------	------

Terminal Plating Material	Unplated
---------------------------	----------

Terminal Orientation	Straight
----------------------	----------

Mechanical Attachment

Wire Insulation Support	Without
-------------------------	---------

Dimensions

Pin Diameter	4.57 mm [.18 in]
--------------	------------------

Wire Size	9600 CMA
-----------	----------

Barrel Inside Diameter	1.9 mm [.075 in]
------------------------	------------------

Terminal Material Thickness	.39 mm [.016 in]
-----------------------------	------------------



Overall Product Length	18.28 mm[.72 in]
------------------------	------------------

Usage Conditions

Insulation Option	Uninsulated
Operating Temperature Range	-40 – 105 °C[-40 – 221 °F]

Operation/Application

Heavy Duty	No
------------	----

Packaging Features

Packaging Quantity	10000
Packaging Method	Reel

Product Compliance

[For compliance documentation, visit the product page on TE.com>](#)

EU RoHS Directive 2011/65/EU	Compliant
EU ELV Directive 2000/53/EC	Compliant
China RoHS 2 Directive MIIT Order No 32, 2016	No Restricted Materials Above Threshold
EU REACH Regulation (EC) No. 1907/2006	Current ECHA Candidate List: JUNE 2022 (224) Candidate List Declared Against: JAN 2022 (223) SVHC > Threshold: Not Yet Reviewed
Halogen Content	Low Halogen - Br, Cl, F, I < 900 ppm per homogenous material. Also BFR/CFR/PVC Free
Solder Process Capability	Not applicable for solder process capability

Product Compliance Disclaimer

This information is provided based on reasonable inquiry of our suppliers and represents our current actual knowledge based on the information they provided. This information is subject to change. The part numbers that TE has identified as EU RoHS compliant have a maximum concentration of 0.1% by weight in homogenous materials for lead, hexavalent chromium, mercury, PBB, PBDE, DBP, BBP, DEHP, DIBP, and 0.01% for cadmium, or qualify for an exemption to these limits as defined in the Annexes of Directive 2011/65/EU (RoHS2). Finished electrical and electronic equipment products will be CE marked as required by Directive 2011/65/EU. Components may not be CE marked. Additionally, the part numbers that TE has identified as EU ELV compliant have a maximum concentration of 0.1% by weight in homogenous materials for lead, hexavalent chromium, and mercury, and 0.01% for cadmium, or qualify for an exemption to these limits as defined in the Annexes of Directive 2000/53/EC (ELV). Regarding the REACH Regulation, the information TE provides on SVHC in articles for this part number is based on the latest European Chemicals Agency (ECHA) 'Guidance on requirements for substances in articles' posted at this URL: <https://echa.europa.eu/guidance-documents/guidance-on-reach>

Compatible Parts



TE Part # 1217074-2
SHUR PLUG 180 RECEPTACLE 2-8 AWG TPBR



TE Part # 1742039-1
SHUR PLUG .156 DIA REC 10-14 AWG PTPBR



TE Part # 42700-1
SHUR PLUG 180 RECEPTACLE 20-16 AWG BR



TE Part # 42749-1
SHUR PLUG 180 REC 20-16 AWG BR



TE Part # 2-2150740-2
OCEAN_2.0 APPLICATOR-E-130F



TE Part # 2150740-2
OCEAN_2.0 APPLICATOR-E-130F



TE Part # 444154-2
SHUR PLUG 180 0.5-1.0MM2 0.45X27.6 PTPBR



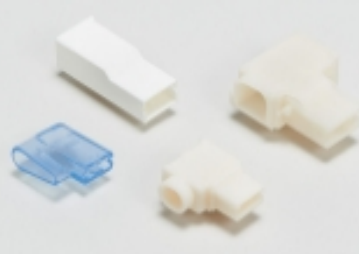
TE Part # 7-2150740-2
OCEAN_2.0 APPLICATOR-E-130F



KIT
REPRESENTATION ONLY

TE Part # 7-2150740-7
OCEAN_2.0 SPARE PART KIT-130F


Also in the Series | SHUR-PLUG 180



Crimp Terminal Housings(6)



Crimp Wire Pins, Tabs & Ferrules(37)



Special Purpose Terminals(1)

Customers Also Bought



TE Part #556137-1
HSG, AMPINERGY WTW, 1 POS, WHITE



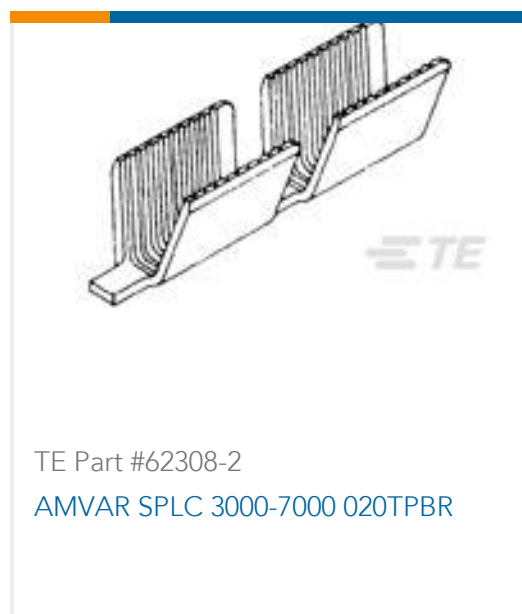
TE Part #42865-3
SHUR PLUG 180 REVERSE REEL 14-10AWG TPBR



TE Part #40524
RING TERMINAL 12-10 AWG TPBR



TE Part #42511-2
250 FASTON FLAG REC 18-12 AWG TPBR



Documents

Product Drawings

[SHUR PLUG 180 RECEPTACLE 14-10 AWG BR](#)

English

CAD Files

[3D PDF](#)

3D

Customer View Model

[ENG_CVM_CVM_42868-1_AB.2d_dxf.zip](#)

English

Customer View Model

[ENG_CVM_CVM_42868-1_AB.3d_igs.zip](#)

English

Customer View Model

[ENG_CVM_CVM_42868-1_AB.3d_stp.zip](#)

English

By downloading the CAD file I accept and agree to the [Terms and Conditions](#) of use.

Product Specifications

[Application Specification](#)

English

Agency Approvals

[UL Report](#)

English