



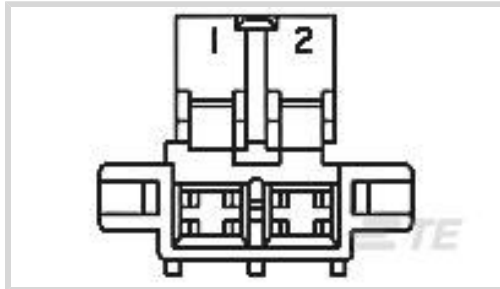
AMP | Junior Timer

TE Internal #: 365058-3

Housing for Female Terminals, Wire-to-Wire, 2 Position, .244 in [6.2 mm] Centerline, Black, Signal, Cable Mount (Free-Hanging), Key 3, Junior Timer

[View on TE.com >](#)

Connectors > Automotive Connectors > Connector Housings > TIMER, CONNECTOR HOUSING



Connector & Housing Type: **Housing for Female Terminals**

Mating Tab Width: **2.8 mm [ .11 in ]**

Connector System: **Wire-to-Wire**

Number of Positions: **2**

Centerline (Pitch): **6.2 mm [ .244 in ]**

[All TIMER, CONNECTOR HOUSING \(543\)](#)

**Features**

**Product Type Features**

Connector & Housing Shape	Rectangular
Connector & Housing Type	Housing for Female Terminals
Connector System	Wire-to-Wire
Sealable	No
Hybrid Connector	No
Primary Locking Feature	On the Terminal

**Configuration Features**

Number of Positions	2
Number of Rows	1

**Body Features**

Body Material	PA
Primary Product Color	Black
Connector Code	3

**Contact Features**

Contact Size	2.8mm
Contact Type	Receptacle
Mating Tab Width	2.8 mm[.11 in]



### Mechanical Attachment

Mounting Feature	Without
Terminal Position Assurance	Yes
Mating Alignment Type	Keyed
Mating Alignment	With
Connector Mounting Type	Cable Mount (Free-Hanging)

### Housing Features

Centerline (Pitch)	6.2 mm[.244 in]
--------------------	-----------------

### Dimensions

Product Length	21.5 mm[.846 in]
Product Height	22.5 mm[.886 in]

### Operation/Application

Circuit Application	Signal
---------------------	--------

### Industry Standards

UL Flammability Rating	UL 94V-2
------------------------	----------

### Packaging Features

Packaging Method	Bag
------------------	-----

### Other

Serviceable	Yes
Connector Position Assurance Capable	No

### Product Compliance

[For compliance documentation, visit the product page on TE.com>](#)

EU RoHS Directive 2011/65/EU	Compliant
EU ELV Directive 2000/53/EC	Compliant
China RoHS 2 Directive MIIT Order No 32, 2016	No Restricted Materials Above Threshold
EU REACH Regulation (EC) No. 1907/2006	Current ECHA Candidate List: JUNE 2022 (224) Candidate List Declared Against: JAN 2022 (223) SVHC > Threshold: Not Yet Reviewed
Halogen Content	Low Halogen - Br, Cl, F, I < 900 ppm per homogenous material. Also BFR/CFR/PVC



Free

Solder Process Capability

Not applicable for solder process capability

Product Compliance Disclaimer

This information is provided based on reasonable inquiry of our suppliers and represents our current actual knowledge based on the information they provided. This information is subject to change. The part numbers that TE has identified as EU RoHS compliant have a maximum concentration of 0.1% by weight in homogenous materials for lead, hexavalent chromium, mercury, PBB, PBDE, DBP, BBP, DEHP, DIBP, and 0.01% for cadmium, or qualify for an exemption to these limits as defined in the Annexes of Directive 2011/65/EU (RoHS2). Finished electrical and electronic equipment products will be CE marked as required by Directive 2011/65/EU. Components may not be CE marked. Additionally, the part numbers that TE has identified as EU ELV compliant have a maximum concentration of 0.1% by weight in homogenous materials for lead, hexavalent chromium, and mercury, and 0.01% for cadmium, or qualify for an exemption to these limits as defined in the Annexes of Directive 2000/53/EC (ELV). Regarding the REACH Regulation, the information TE provides on SVHC in articles for this part number is based on the latest European Chemicals Agency (ECHA) 'Guidance on requirements for substances in articles' posted at this URL: <https://echa.europa.eu/guidance-documents/guidance-on-reach>

### Compatible Parts

TE Part # CAT-T4827-CH8172  
TIMER, CONNECTOR HOUSING

TE Part # CAT-T4827-T273  
TIMER, RECEPTACLE AND TAB

TE Part # 927871-4  
JUNIOR-TIMER KONT

TE Part # 365057-4  
2P TAB HSG YLW

### Also in the Series | Junior Timer

Automotive Housings(65)

Automotive Terminals(12)

PCB Headers & Receptacles(3)

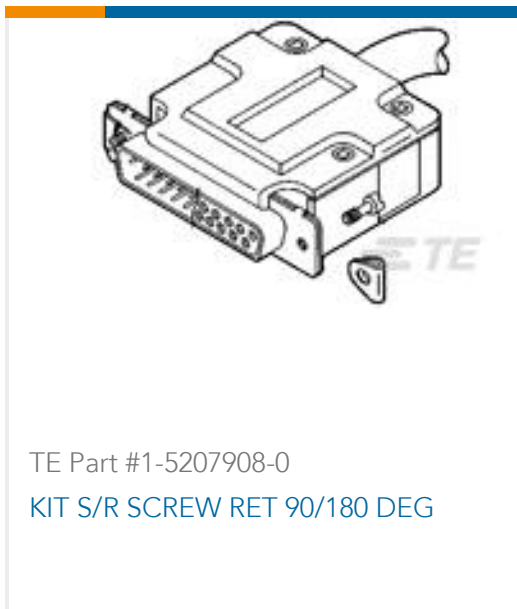
### Customers Also Bought

TE Part #929505-5  
FF TAB HOUSING 2X7P

TE Part #626065  
2 P FASTIN-ON 110 HOUSING TAB PA66 NAT

TE Part #1-1670916-1  
2POS, MCON 1.2 LL REC SEALED

TE Part #5-1418760-1  
MCON 1.2 LL TAB STC SN



## Documents

### Product Drawings

#### 2P HSG F/JUNIOR TIMER BLK

English

### CAD Files

#### 3D PDF

English

#### Customer View Model

[ENG\\_CVM\\_365058-3\\_D.2d\\_dxf.zip](#)

English

#### Customer View Model

[ENG\\_CVM\\_365058-3\\_D.3d\\_igs.zip](#)

English

#### Customer View Model

[ENG\\_CVM\\_365058-3\\_D.3d\\_stp.zip](#)

English

By downloading the CAD file I accept and agree to the [Terms and Conditions](#) of use.

### Datasheets & Catalog Pages

#### Timer Interconnection System

English