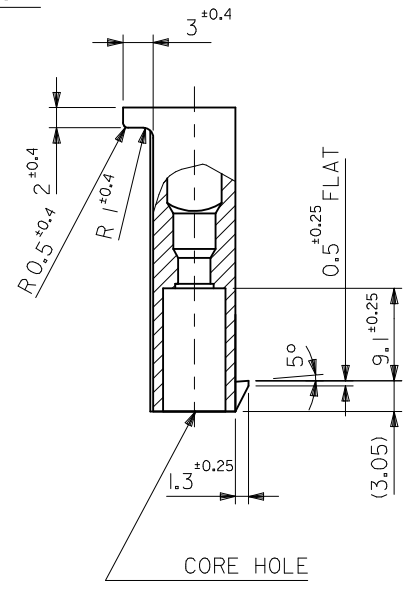
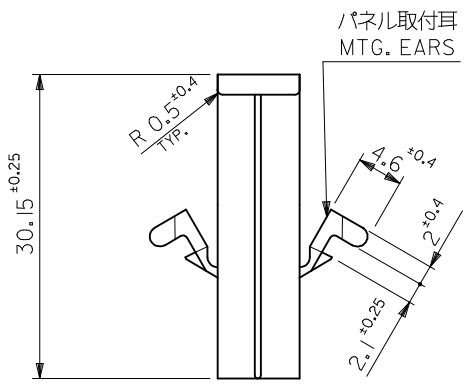
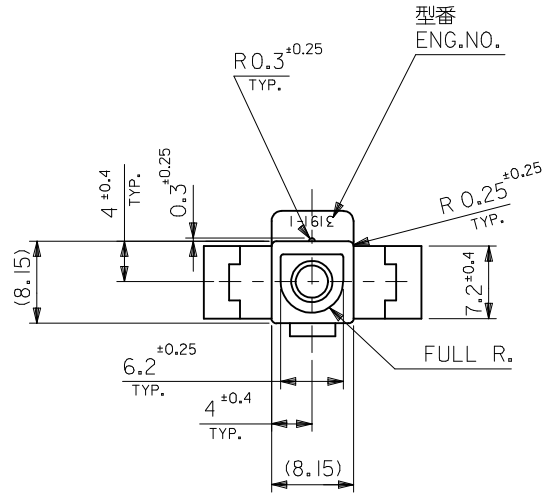


パネル取付穴推奨寸法 (厚さ 2.0 最大)
ハウジングの装着はパネル穴打抜き方向より行うこと
RECOMMENDED PANEL HOLE DIMENSION (THK. 2.0 MAX.)
ATTACH THE HOUSING FROM THE DIRECTION OF
PANEL HOLE PUNCHED OUT

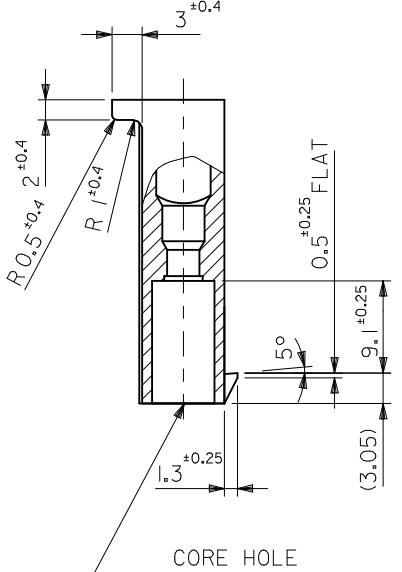
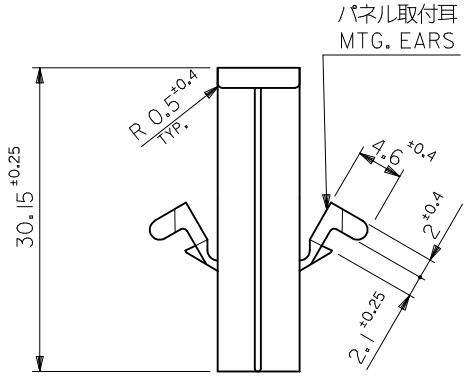
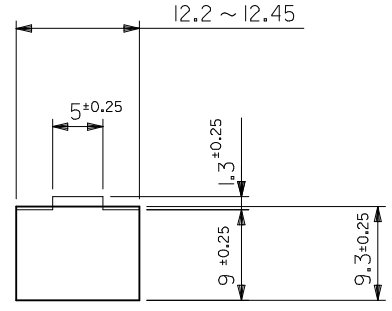
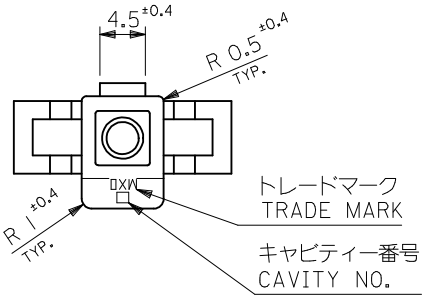


注記
NOTE
() 内寸法は参考値
DIMENSIONS IN () ARE REFERENCE



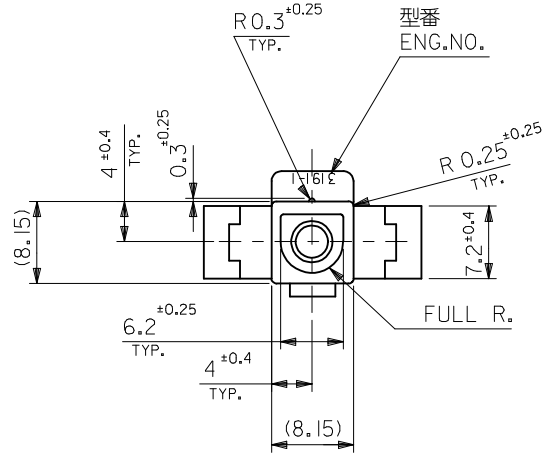
青 BLUE	39-01-8019	3191-01P-BU	NYLON66	94V-2
赤 RED	39-01-9010	3191-01P-RE		
自然色 NATURAL	39-03-6010	3191-01P		
COLOR	POLYBAG PACKAGE	モデル番号 MODEL No.	材質 MATERIAL	UL
	オーダー番号 ORDER NO.			

REVISED EC NO: J2013-0829 DRWN: KWASHIO 2013/01/28 CHKD: KASAKAWA 2013/01/31 APPR: Y0110 2013/04/16	DESCRIPTION	GENERAL TOLERANCES (UNLESS SPECIFIED)		DIMENSION STYLE	SCALE	DESIGN UNITS	THIRD ANGLE PROJECTION	
				MM ONLY	2:1	METRIC		
		10 UNDER	± ---	DRAWN BY	DATE	TITLE		1 CKT. PLUG HS'G (.093 DIA. TERMINAL)
		10 OVER 30 UNDER	± ---	M. NABEI	'07/05/10			
30 OVER	± ---	CHECKED BY	DATE					
		ANGULAR	± --- °	APPROVED BY	DATE			
		DRAFT WHERE APPLICABLE MUST REMAIN WITHIN DIMENSIONS		N. UKITA	'07/05/10			
				MATERIAL NO.	DOCUMENT NO.			
				SIZE	THIS DRAWING CONTAINS INFORMATION THAT IS PROPRIETARY TO MOLEX INCORPORATED AND SHOULD NOT BE USED WITHOUT WRITTEN PERMISSION			
				A3	SEE TABLE	SD-3191-001	SHEET NO. 1 OF 1	



パネル取付穴推奨寸法(厚さ2.0最大)
 ハウジングの装着はパネル穴打抜き方向より行うこと
 RECOMMENDED PANEL HOLE DIMENSION(THK. 2.0 MAX.)
 ATTACH THE HOUSING FROM THE DIRECTION OF
 PANEL HOLE PUNCHED OUT

注記
 NOTE
 () 内寸法は参考値
 DIMENSIONS IN () ARE REFERENCE



39-03-6011	3191-01P-201	NYLON66	94V-0
39-03-6010	3191-01P	NYLON66	94V-2
POLYBAG PACKAGE	モデル番号 MODEL No.	材質 MATERIAL	UL
オーダー番号 ORDER NO.			

REVISED EC NO.: J2013-0829 DRWN: KASHIO 2013/01/31 CHKD: KASAKAWA 2013/01/31 APPR: Y01TO 2013/04/16	GENERAL TOLERANCES (UNLESS SPECIFIED)		DIMENSION STYLE MM ONLY		SCALE 2:1	DESIGN UNITS METRIC	THIRD ANGLE PROJECTION
	10 UNDER	±---	DRAWN BY H. IJIMA	DATE '96/06/21	TITLE 1CKT. PLUG HS'G (.093 DIA. TERMINAL)		
	10 OVER 30 UNDER	±---	CHECKED BY M. FUKUSHIMA	DATE '96/06/21			
	30 OVER	±---	APPROVED BY M. ENOMOTO	DATE '96/06/21			
ANGULAR ±---°		MATERIAL NO. SEE TABLE		DOCUMENT NO. SD-3191-006	SHEET NO. 1 OF 1		
DRAFT WHERE APPLICABLE MUST REMAIN WITHIN DIMENSIONS		THIS DRAWING CONTAINS INFORMATION THAT IS PROPRIETARY TO MOLEX INCORPORATED AND SHOULD NOT BE USED WITHOUT WRITTEN PERMISSION					