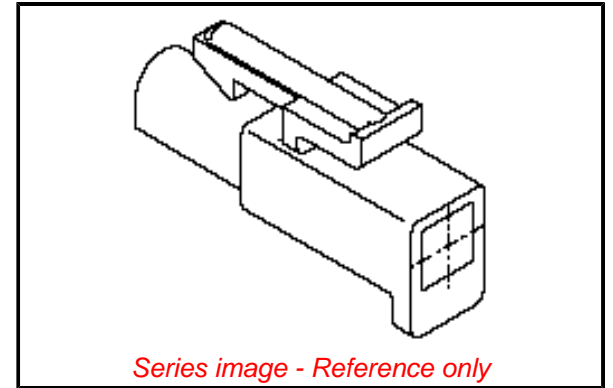


**PLEASE CHECK WWW.MOLEX.COM FOR LATEST PART INFORMATION**

**Part Number:** [0039036014](#)  
**Status:** **Active**  
**Overview:** Standard .093" Pin and Socket Connectors  
**Description:** 2.36mm Diameter Standard .093" Pin and Socket Receptacle Housing with Positive Latch, UL 94V-2, without Panel Mount, 1 Circuit

**Documents:**

|   |  |
|---|--|
| <a href="#">3D Model</a>                                    | <a href="#">Product Specification PS-3191-003 (PDF)</a>        |
| <a href="#">3D Model (PDF)</a>                              | <a href="#">Packaging Specification SPK-3191-001-001 (PDF)</a> |
| <a href="#">Drawing (PDF)</a>                               | <a href="#">RoHS Certificate of Compliance (PDF)</a>           |
| <a href="#">Product Specification PS-3191-001-001 (PDF)</a> |  |



**Agency Certification**

|     |         |
|-----|---------|
| CSA | LR19980 |
| UL  | E29179  |

**General**

|                |  |
|----------------|--|
| Product Family | Crimp Housings   |
| Series         | <a href="#">3191</a>                                     |
| Application    | Power, Wire-to-Board, Wire-to-Wire                       |
| Comments       | Polarized to Mating Part                                 |
| Overview       | <a href="#">Standard .093" Pin and Socket Connectors</a> |
| Product Name   | Standard .093"   |
| UPC            | 800753756533   |

**Physical**

|                               |                |
|-------------------------------|----------------|
| Breakaway                     | No             |
| Circuits (maximum)            | 1              |
| Color - Resin                 | Natural        |
| Flammability                  | 94V-2          |
| Gender                        | Receptacle     |
| Glow-Wire Capable             | No             |
| Keying to Mating Part         | None           |
| Lock to Mating Part           | Yes            |
| Material - Resin              | Nylon          |
| Net Weight                    | 1.290/g        |
| Number of Rows                | 1              |
| Packaging Type                | Bag            |
| Panel Mount                   | No             |
| Pitch - Mating Interface      | N/A            |
| Polarized to Mating Part      | Yes            |
| Stackable                     | No             |
| Temperature Range - Operating | -40° to +105°C |

**Electrical**

|                               |       |
|-------------------------------|-------|
| Current - Maximum per Contact | 12.0A |
|-------------------------------|-------|

**Material Info**

|                    |           |
|--------------------|-----------|
| Engineering Number | 3191-01R1 |
|--------------------|-----------|

**Reference - Drawing Numbers**

|                         |                              |
|-------------------------|------------------------------|
| Packaging Specification | SPK-3191-001-001             |
| Product Specification   | PS-3191-001-001, PS-3191-003 |
| Sales Drawing           | SD-3191-003                  |

**EU ELV**

**Not Relevant**

**EU RoHS**

**Compliant**

**REACH SVHC**

Not Contained Per -  
D(2020)4578-DC (25  
June 2020)

**Halogen-Free**

**Status**

**Low-Halogen**

For more information, please visit [Contact US](#)

China ROHS

ELV

RoHS Phthalates

**China RoHS**

Green Image

Not Relevant

Not Contained

**Search Parts in this Series**

[3191 Series](#)

**Mates With**

[39036010](#) , [39036012](#)

**Use With**

[1189 Crimp Terminals](#), [1190 Crimp Terminals](#), [1380 Male Crimp Terminals](#), [1381 Female Crimp Terminals](#), [1433 Crimp Terminals](#), [1434 Male Crimp Terminals](#), [2605](#) , [2606](#) , [1973](#) , [2151](#) , [2273](#) , [2870](#) , [2871](#) , [4272](#)

**PLEASE CHECK [WWW.MOLEX.COM](http://WWW.MOLEX.COM) FOR LATEST PART INFORMATION**