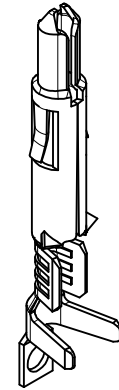
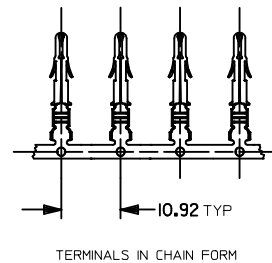
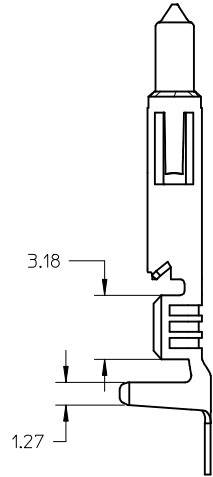
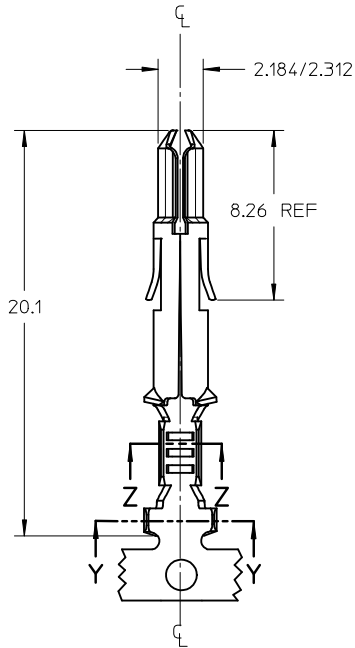


SECTION Z-Z  
CONDUCTOR CRIMP AREA

SECTION Y-Y  
INSULATION CRIMP AREA



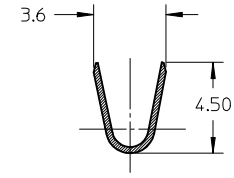
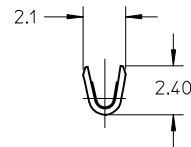
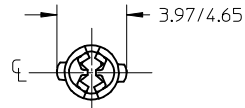
SPLIT PIN TERMINAL

NOTES:

- PIN TERMINALS FOR USE WITH 2.13 DIA SERIES HOUSINGS:  
PLUG(42021-\*\*)   
CAP (42022-\*\*)
- PIN TERMINALS MATE WITH 42024 SOCKET TERMINALS 2.13 DIA SERIES
- TERMINALS FINISHED IN CHAIN FORM
- MATERIAL: 0.30 THICK STRIP:  
A= BRASS, #C26000 PER SMES-124-E7  
B= PHOSPHOR BRONZE, #C51000 PER SMES-124-E7
- FINISH:  
HOT TIN DIP 20 m.l./0.51 microns MIN PER SDES-88-P901
- WIRE RANGE: 18-20AWG COVERS UL 1015, UL 1007, & UL 1569.
- PRODUCT SPECIFICATION: PS-42022-0001

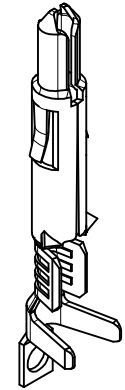
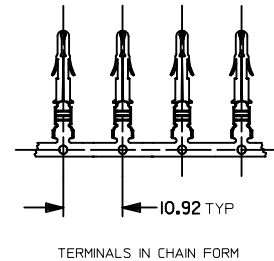
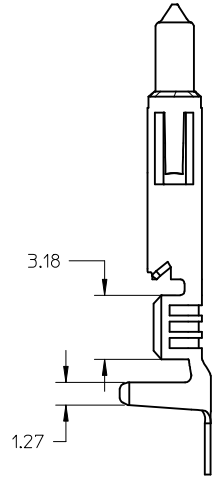
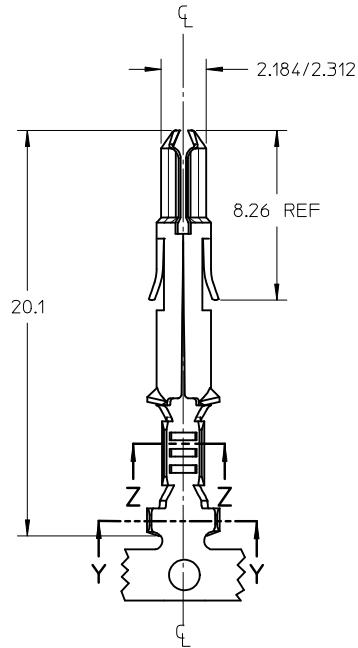
PART NO	FINISH	MATERIAL	WIRE SIZE	INSULATION DIA RANGE
42023-2013	ES-88-P901	C26000	18-20 AWG	1.65-2.95 MM
42023-2014	ES-88-P901	C51000	18-20 AWG	1.65-2.95 MM

NOTES UPDATED EC NO: 12014-0044 DRWN:SS06 CHKD: APPR: ISHWARG 2013/11/08 2013/12/02	DESCRIPTION REV	QUALITY SYMBOLS	GENERAL TOLERANCES (UNLESS SPECIFIED)	DIMENSION STYLE MM ONLY	SCALE 4:1	DESIGN UNITS METRIC	THIRD ANGLE PROJECTION																	
		$F_A=0$ $F_G=0$ $F_P=0$	<table border="1"> <tr> <th></th> <th>mm</th> <th>INCH</th> </tr> <tr> <td>4 PLACES</td> <td>± ---</td> <td>± ---</td> </tr> <tr> <td>3 PLACES</td> <td>± ---</td> <td>± ---</td> </tr> <tr> <td>2 PLACES</td> <td>± 0.25</td> <td>± ---</td> </tr> <tr> <td>1 PLACE</td> <td>± 0.38</td> <td>± ---</td> </tr> <tr> <td>0 PLACE</td> <td>± ---</td> <td>± ---</td> </tr> </table>		mm	INCH	4 PLACES	± ---	± ---	3 PLACES	± ---	± ---	2 PLACES	± 0.25	± ---	1 PLACE	± 0.38	± ---	0 PLACE	± ---	± ---	DRAWN BY: SS06 DATE: 2013/10/29 CHECKED BY: DATE:	TITLE	MLX TERMINAL SPLIT PIN, 18-20 AWG, 2.13 DIA SERIES <b>molex</b> DOCUMENT NO. SD-42023-001 SHEET NO. 1 OF 1
			mm	INCH																				
		4 PLACES	± ---	± ---																				
3 PLACES	± ---	± ---																						
2 PLACES	± 0.25	± ---																						
1 PLACE	± 0.38	± ---																						
0 PLACE	± ---	± ---																						
	ANGULAR ± 1 °	APPROVED BY: ISHWARG DATE: 2013/11/06	SEE TABLE																					
	DRAFT WHERE APPLICABLE MUST REMAIN WITHIN DIMENSIONS	MATERIAL NO.	THIS DRAWING CONTAINS INFORMATION THAT IS PROPRIETARY TO MOLEX INCORPORATED AND SHOULD NOT BE USED WITHOUT WRITTEN PERMISSION																					
		SIZE: A3																						



SECTION Z-Z  
CONDUCTOR CRIMP AREA

SECTION Y-Y  
INSULATION CRIMP AREA



SPLIT PIN TERMINAL

- NOTES:
- PIN TERMINALS FOR USE WITH 2.13 DIA SERIES HOUSINGS:  
PLUG(42021-\*\*)   
CAP (42022-\*\*)
  - PIN TERMINALS MATE WITH 42024 SOCKET TERMINALS 2.13 DIA SERIES
  - TERMINALS FINISHED IN CHAIN FORM
  - MATERIAL: 0.30 THICK STRIP:  
A= BRASS, #C26000 PER SMES-124-E7  
B= PHOSPHOR BRONZE, #C51000 PER SMES-124-E7
  - FINISH:  
HOT TIN DIP 20 m.l./0.51 microns MIN PER SDES-88-P901
  - WIRE RANGE: 18-20AWG COVERS UL 1015, UL 1007, & UL 1569.
  - PRODUCT SPECIFICATION: PS-42022-0001

PART NO	FINISH	MATERIAL	WIRE SIZE	INSULATION DIA RANGE
42023-2013	ES-88-P901	C26000	18-20 AWG	1.65-2.95 MM
42023-2014	ES-88-P901	C51000	18-20 AWG	1.65-2.95 MM

NOTES UPDATED EC NO: 12014-0044 DRWN:SS06 CHKD: APPR: ISHWARG 2013/11/08 2013/12/02	DESCRIPTION REV	QUALITY SYMBOLS	GENERAL TOLERANCES (UNLESS SPECIFIED)	DIMENSION STYLE MM ONLY	SCALE 4:1	DESIGN UNITS METRIC	THIRD ANGLE PROJECTION																
		$F_A=0$ $F_G=0$ $F_P=0$	<table border="1"> <tr> <th></th> <th>mm</th> <th>INCH</th> </tr> <tr> <td>4 PLACES</td> <td>± ---</td> <td>± ---</td> </tr> <tr> <td>3 PLACES</td> <td>± ---</td> <td>± ---</td> </tr> <tr> <td>2 PLACES</td> <td>± 0.25</td> <td>± ---</td> </tr> <tr> <td>1 PLACE</td> <td>± 0.38</td> <td>± ---</td> </tr> <tr> <td>0 PLACE</td> <td>± ---</td> <td>± ---</td> </tr> </table>		mm	INCH	4 PLACES	± ---	± ---	3 PLACES	± ---	± ---	2 PLACES	± 0.25	± ---	1 PLACE	± 0.38	± ---	0 PLACE	± ---	± ---	DRAWN BY: SS06 DATE: 2013/10/29 CHECKED BY: DATE:	TITLE MLX TERMINAL SPLIT PIN, 18-20 AWG, 2.13 DIA SERIES
			mm	INCH																			
		4 PLACES	± ---	± ---																			
3 PLACES	± ---	± ---																					
2 PLACES	± 0.25	± ---																					
1 PLACE	± 0.38	± ---																					
0 PLACE	± ---	± ---																					
ANGULAR ± 1 ° DRAFT WHERE APPLICABLE MUST REMAIN WITHIN DIMENSIONS	APPROVED BY: ISHWARG DATE: 2013/11/06 MATERIAL NO.	SEE TABLE THIS DRAWING CONTAINS INFORMATION THAT IS PROPRIETARY TO MOLEX INCORPORATED AND SHOULD NOT BE USED WITHOUT WRITTEN PERMISSION	DOCUMENT NO. SD-42023-001 SHEET NO. 1 OF 1																				
		SIZE A3	molex SD-42023-001																				