



MIS

TE Internal #: 440147-2

Connector Contact, Socket, Wire-to-Board, .049 in [1.25 mm]
Centerline, 32 – 28 AWG Wire Size, .03 – .08 mm² Wire Size, Gold,
Reel, Wire & Cable, MIS

[View on TE.com >](#)

Connectors > PCB Connectors > Wire-to-Board Connectors > Wire-to-Board Connector Contacts



Contact Type: **Socket**

Connector System: **Wire-to-Board**

Centerline (Pitch): **1.25 mm [.049 in]**

Wire Size: **.03 – .08 mm²**

Features

Product Type Features

Connector System	Wire-to-Board
Sealable	No
Connector & Contact Terminates To	Wire & Cable

Configuration Features

Compatible With Wire & Cable Type	Discrete Wire
-----------------------------------	---------------

Electrical Characteristics

Operating Voltage	100 VAC
-------------------	---------

Contact Features

Mating Tab Width	.74 mm[.029 in]
Mating Tab Thickness	.3 mm[.012 in]
Contact Base Material	Phosphor Bronze
Contact Type	Socket
Contact Mating Area Plating Material	Gold
Contact Current Rating (Max)	1 A



Termination Features

Termination Method to Wire & Cable	Crimp
------------------------------------	-------

Mechanical Attachment

Connector Mounting Type	Cable Mount (Free-Hanging)
-------------------------	----------------------------

Housing Features

Centerline (Pitch)	1.25 mm [.049 in]
--------------------	-------------------

Dimensions

Wire Size	.03 – .08 mm ²
-----------	---------------------------

Usage Conditions

Operating Temperature Range	-40 – 105 °C [-40 – 221 °F]
-----------------------------	-----------------------------

Operation/Application

Circuit Application	Signal
---------------------	--------

Packaging Features

Packaging Quantity	20000
--------------------	-------

Packaging Method	Reel
------------------	------

Product Compliance

[For compliance documentation, visit the product page on TE.com>](#)

EU RoHS Directive 2011/65/EU	Compliant
EU ELV Directive 2000/53/EC	Compliant
China RoHS 2 Directive MIIT Order No 32, 2016	No Restricted Materials Above Threshold
EU REACH Regulation (EC) No. 1907/2006	Current ECHA Candidate List: JUNE 2022 (224) Candidate List Declared Against: JUL 2021 (219) SVHC > Threshold: Not Yet Reviewed
Halogen Content	Low Halogen - Br, Cl, F, I < 900 ppm per homogenous material. Also BFR/CFR/PVC Free
Solder Process Capability	Not applicable for solder process capability

Product Compliance Disclaimer

This information is provided based on reasonable inquiry of our suppliers and represents our current actual knowledge based on the information they provided. This information is subject to change. The part numbers that TE has identified as EU RoHS compliant have a maximum concentration of 0.1% by weight in homogenous materials for lead, hexavalent chromium, mercury, PBB, PBDE, DBP, BBP, DEHP, DIBP, and 0.01% for cadmium, or qualify for an exemption to these

limits as defined in the Annexes of Directive 2011/65/EU (RoHS2). Finished electrical and electronic equipment products will be CE marked as required by Directive 2011/65/EU. Components may not be CE marked. Additionally, the part numbers that TE has identified as EU ELV compliant have a maximum concentration of 0.1% by weight in homogenous materials for lead, hexavalent chromium, and mercury, and 0.01% for cadmium, or qualify for an exemption to these limits as defined in the Annexes of Directive 2000/53/EC (ELV). Regarding the REACH Regulation, the information TE provides on SVHC in articles for this part number is based on the latest European Chemicals Agency (ECHA) 'Guidance on requirements for substances in articles' posted at this URL: <https://echa.europa.eu/guidance-documents/guidance-on-reach>

Compatible Parts



TE Part # CAT-H857-H342125
AMP HPI 1.25MM HEADERS



TE Part # 1-440146-2
1.25mm WTB Socket, Housing, 12p



TE Part # 1-440146-4
1.25mm WTB Socket, Housing, 14p



TE Part # 1-440146-0
1.25mm WTB Socket, Housing, 10p



TE Part # 1-440146-5
1.25mm WTB Socket, Housing, 15p



TE Part # 440146-2
1.25mm WTB Socket, Housing, 2p



TE Part # 440146-3
1.25mm WTB Socket, Housing, 3p



TE Part # 440146-4
1.25mm WTB Socket, Housing, 4p



TE Part # 440146-5
1.25mm WTB Socket, Housing, 5p



TE Part # 440146-6
1.25mm WTB Socket, Housing, 6p



TE Part # 440146-8
1.25mm WTB Socket, Housing, 8p



TE Part # 440146-9
1.25mm WTB Socket, Housing, 9p



TE Part # 1-440146-1
1.25mm WTB Socket, Housing, 11p



TE Part # 1-440146-3
1.25mm WTB Socket, Housing, 13p



TE Part # 440146-7
1.25mm WTB Socket, Housing, 7p



TE Part # 1385777-2
HDM SMPR031F031F K



TE Part # 1385777-3
HDM SMPR031F031F G



TE Part # 2-2836628-2
OCEAN_2.0_Applicator-S-031F037F



TE Part # 2836628-2
OCEAN_2.0_Applicator-S-031F037F

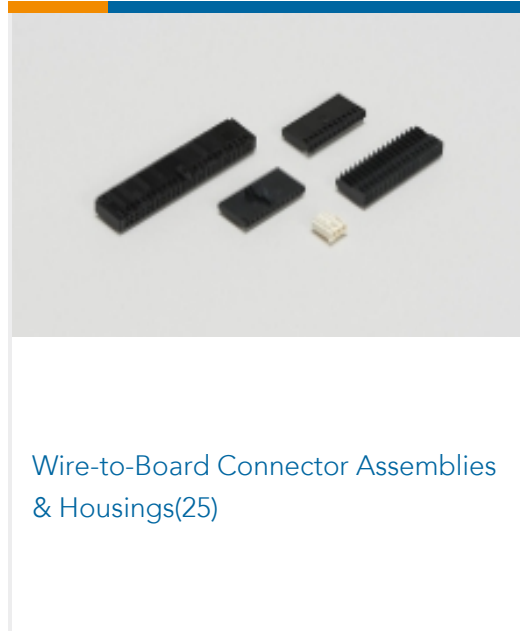


TE Part # 7-2836628-2
OCEAN_2.0_Applicator-S-031F037F

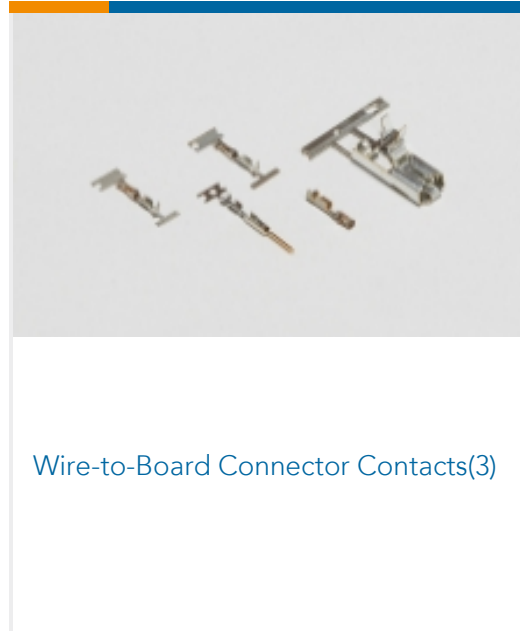
Also in the Series | MIS



PCB Headers & Receptacles(23)



Wire-to-Board Connector Assemblies & Housings(25)



Wire-to-Board Connector Contacts(3)

Customers Also Bought



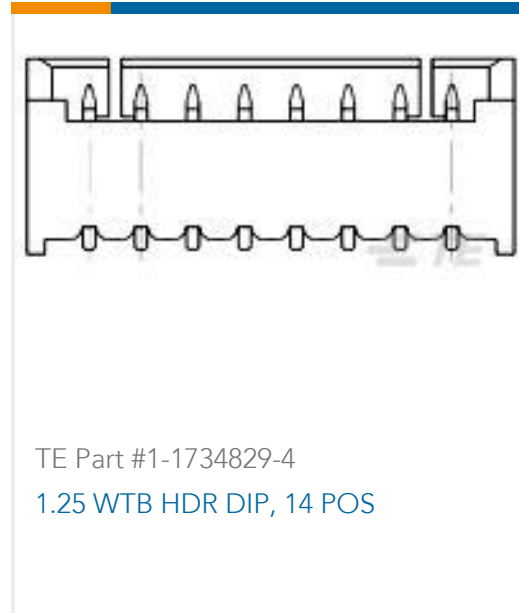
TE Part #208489-1
CMC RECEPTACLE ASSY,SIZE 22



TE Part #917511-3
DYNAMIC D-3 REC CONT. 2L AU 0.76 L/P



TE Part #5177985-6
0.8FH,R05H.5,140,08/Sn,TR,SC



TE Part #1-1734829-4
1.25 WTB HDR DIP, 14 POS



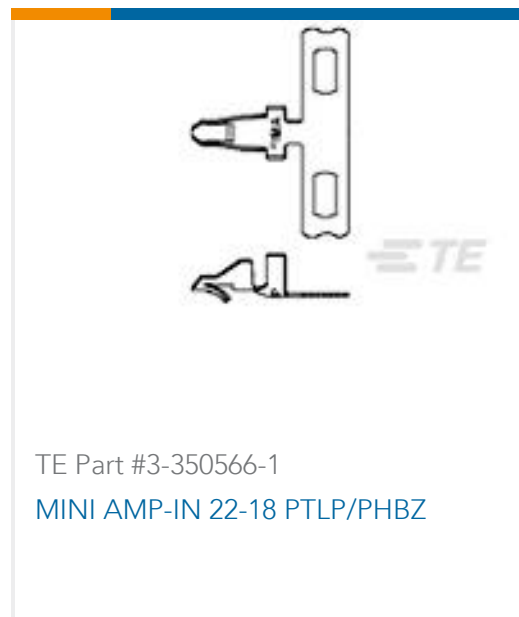
TE Part #1-440146-2
1.25mm WTB Socket,Housing,12p



TE Part #1-440146-4
1.25mm WTB Socket,Housing,14p



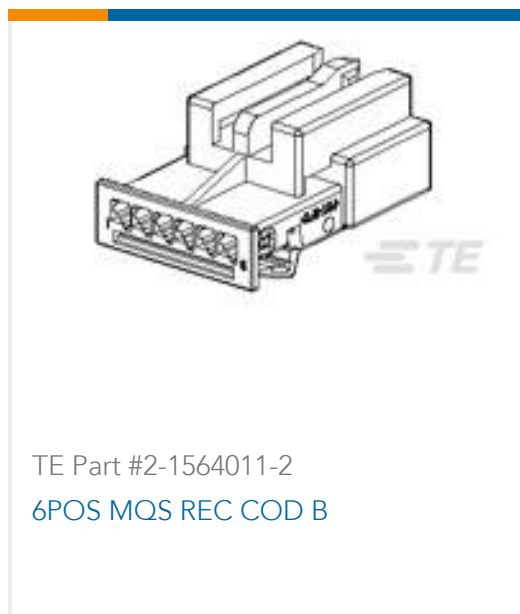
TE Part #1-794608-0
PIN CONT 20-24 TIN PLATE STRIP



TE Part #3-350566-1
MINI AMP-IN 22-18 PTLP/PHBZ



TE Part #440146-6
1.25mm WTB Socket,Housing,6p



TE Part #2-1564011-2
6POS MQS REC COD B



Documents

Product Drawings

[1.0 WTB Terminal 30u" Au](#)

English

CAD Files

Customer View Model

[ENG_CVM_CVM_440147-2_C.2d_dxf.zip](#)

English

3D PDF

3D

Customer View Model

[ENG_CVM_CVM_440147-2_C.3d_igs.zip](#)

English

Customer View Model

[ENG_CVM_CVM_440147-2_C.3d_stp.zip](#)

English

By downloading the CAD file I accept and agree to the [Terms and Conditions](#) of use.

Datasheets & Catalog Pages

[HPI Connectors QRG](#)

English

Product Specifications

[Application Specification](#)

English