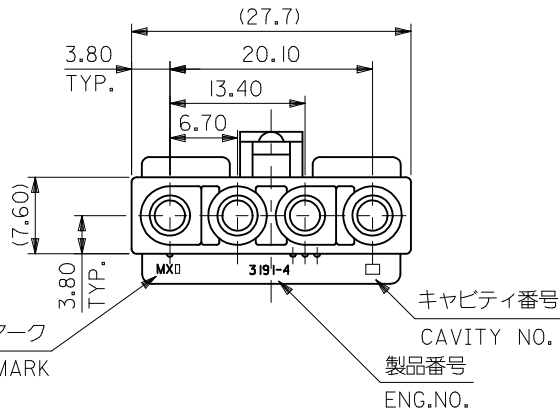


注)
NOTE.
1. () 内寸法は参考
(DIMENSIONS IN () ARE REFERENCE)



トレードマーク
TRADE MARK

キャビティ番号
CAVITY NO.
製品番号
ENG.NO.

39-03-6045	3191-04R1-201	NYLON66	94V-0
39-03-6044	3191-04R1	NYLON66	94V-2
POLYBAG PACKAGE	モデル番号 MODEL No.	材質 MATERIAL	UL
オーダー番号 ORDER NO.			

REDRAWN EC NO.: J2013-0829 DRWN:SSAT002 2013/01/31 CHKD:KASAKAWA 2013/01/31 APPR:YOITO 2013/04/16	DESCRIPTION 10 UNDER ±0.25 10 OVER 30 UNDER ±0.3 30 OVER ±0.35 ANGULAR ±3 ° DRAFT WHERE APPLICABLE MUST REMAIN WITHIN DIMENSIONS	GENERAL TOLERANCES (UNLESS SPECIFIED)	DIMENSION STYLE MM ONLY	SCALE 2:1	DESIGN UNITS METRIC	THIRD ANGLE PROJECTION	
		DRAWN BY SSAT002	DATE 2013/01/31	TITLE 4 CKT.REC HSG (.093 DIA TERM)			
		CHECKED BY KASAKAWA	DATE 2013/01/31	APPROVED BY YOITO 2013/04/16			
		MATERIAL NO. SEE CHART	DOCUMENT NO. SD-3191-014	SHEET NO. 1 OF 1			