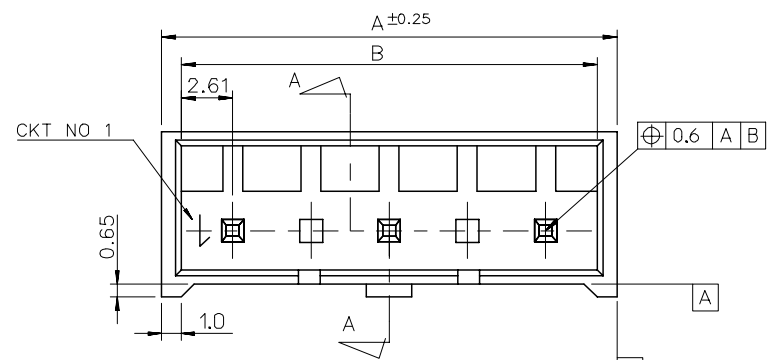
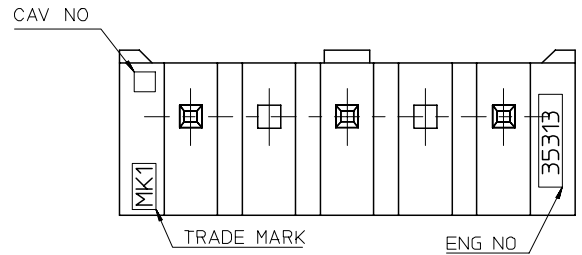
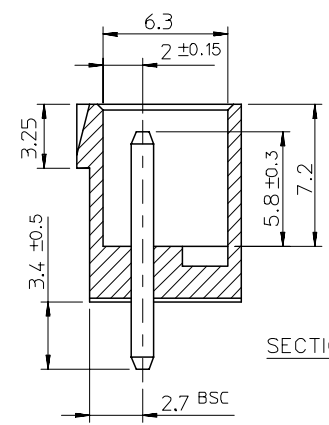
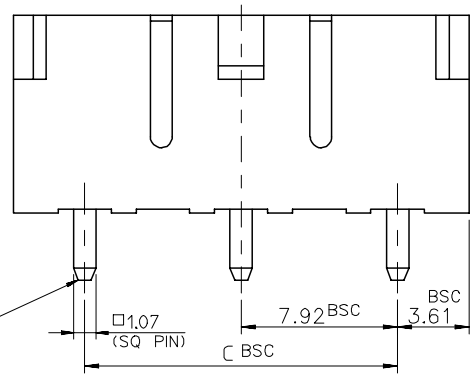
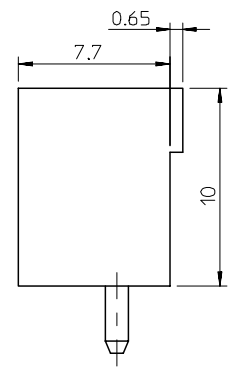


DWG. NO. SD-35328-001
 SIMILAR ITEM 35328-**-**ix
 PROJECT NO.
 DO NOT SCALE DRAWING DIMENSION IN METRIC

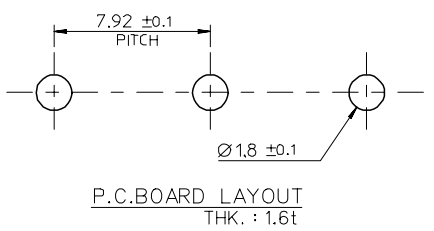
8 7 6 5 4 3 2 1



NOTE
 1. MATERIAL : WAFER : NYLON66, GLASS FILLED 20%
 PIN : BRASS, TIN PLATED
 2. LEGEND
 35328-**-** 6 *
 COLOR : 0 - NATURAL
 1 - BLACK
 2 - RED
 3 - YELLOW
 4 - BLUE
 CKT NO.(02,03,04...)
 3. THIS PRODUCT SHALL BE COMPLIED WITH
 RoHS COMPATIBLE(LEAD FREE SOLDERABILITY)



39.6	44.82	46.82	35328066*	35328-066*	6
31.68	36.9	38.9	35328056*	-056*	5
23.76	28.98	30.98	35328046*	-046*	4
15.84	21.06	23.06	35328036*	-036*	3
7.92	13.14	15.14	35328026*	35328-026*	2
C	B	A	MAT'L NO.	ENG NO.	CKT NO.



REVISED EC NO. KOR2006-0105 DRWN: K.SKIM 06/03/23 CHK: K.SKIM APPR: Y.SOOKIM	DESCRIPTION MAJOR CRITICAL	GENERAL TOLERANCES: (UNLESS SPECIFIED)		SCALE 3.5-1	DESIGN UNITS <input checked="" type="checkbox"/> MM <input type="checkbox"/> INCH	THIRD ANGLE PROJECTION	DIMENSIONS: <input type="checkbox"/> MM <input type="checkbox"/> INCH <input checked="" type="checkbox"/> MM ONLY		SHT	REV							
		4 PLACES ±0.	±.	3 PLACES ±0.	±.	2 PLACES ±0.2	±.	1 PLACE ±0.2	±.	ANGULAR: ± 2 °	DRAFT WHERE APPLICABLE MUST REMAIN WITHIN DIMENSIONS	THIS DRAWING CONTAINS INFORMATION THAT IS PROPRIETARY TO MOLEX INCORPORATED AND SHOULD NOT BE USED WITHOUT WRITTEN PERMISSION.	SHEET NO. 1 OF 1	SIZE B			
C	REV	DRAWN BY & DATE K.S.KIM (041228)		CHECKED BY & DATE Y.SOO.KIM		APPROVED BY & DATE S.H.CHOI		TITLE: 7.92 PITCH W/B CONN. WAFER ASS'Y (WITH LOCK)			MATERIAL NO. SEE TABLE		DRAWING NO. SD-35328-001		SHEET NO. 1 OF 1		MX-A3
				CAD FILENAME SD-35328-001		MATERIAL NO. SEE TABLE		DRAWING NO. SD-35328-001		SHEET NO. 1 OF 1		SIZE B					

8 7 6 5 4 3 2 1