

42241-2 ✓ ACTIVE

FASTIN-FASTON | FASTIN-FASTON 250

TE Internal #: 42241-2

Quick Disconnects, Tab, 18 – 14 AWG Wire Size, .82 – 2.08 mm<sup>2</sup>

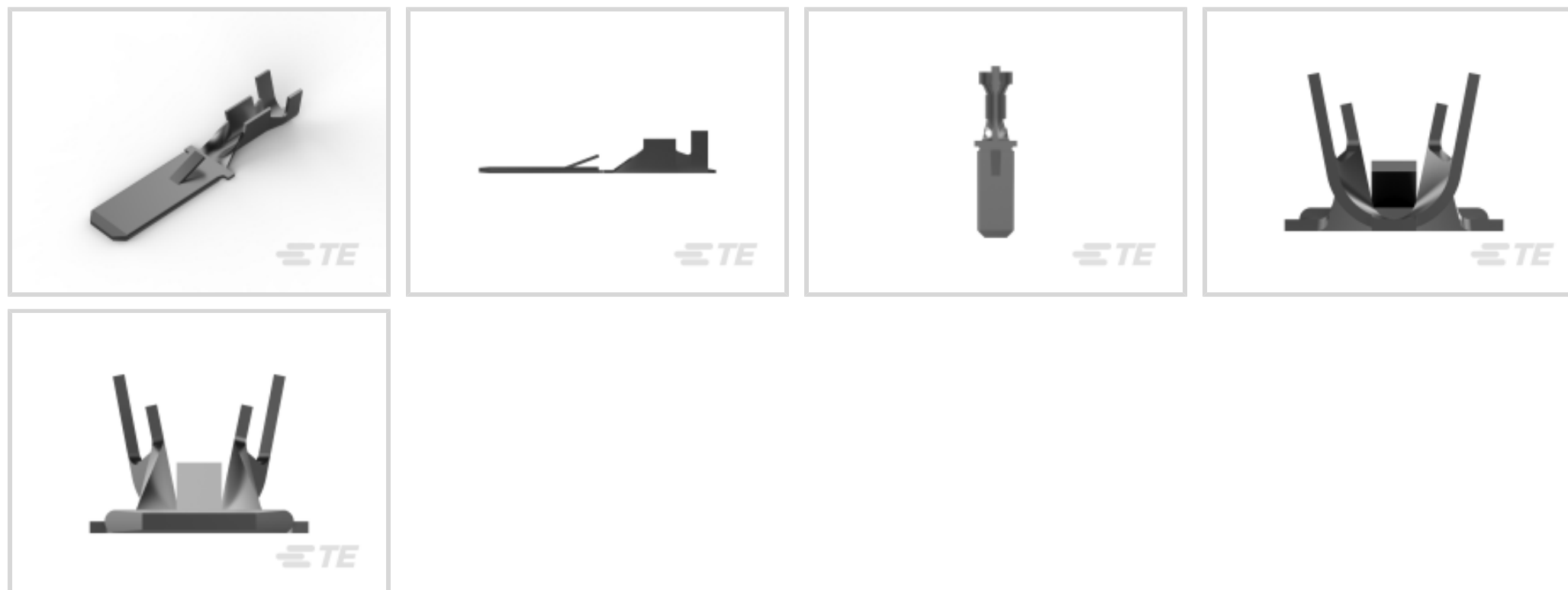
Wire Size, Mating Tab Width .25 in [6.35 mm], Straight, Brass,

FASTIN-FASTON 250

[View on TE.com >](#)



Terminals & Splices > Quick Disconnects



Quick Disconnect Terminal Type: **Tab**

Wire Size: **.82 – 2.08 mm<sup>2</sup>**

Mating Tab Width: **6.35 mm [ .25 in ]**

Mating Tab Thickness: **.81 mm [ .032 in ]**

## Features

### Product Type Features

Terminates To	Wire & Cable
Wire/Cable Type	Regular Wire
Insertion Force	Normal
Sealable	No

### Configuration Features

Connection Capacity	Single
---------------------	--------

### Contact Features

Quick Disconnect Terminal Type	Tab
Mating Tab Width	6.35 mm [.25 in]
Mating Tab Thickness	.81 mm [.032 in]
Terminal Orientation	Straight
Contact Base Material	Brass
Terminal Plating Material	Tin
Crimp Type	F-Crimp
Barrel Type	Open



### Mechanical Attachment

Mating Retention Type	Locking Lance
Locking Lance Height	1.4 mm[.055 in]
Wire Insulation Support	With

### Dimensions

Accepts Wire Insulation Diameter Range	3.1 – 4.1 mm[.12 – .16 in]
Overall Length	29.18 mm[1.149 in]
Receptacle Terminal Stock Thickness	.4 mm[.015 in]
Wire Size	.82 – 2.08 mm <sup>2</sup>

### Usage Conditions

Insulation Option	Uninsulated
Operating Temperature Range	-40 – 110 °C[-40 – 230 °F]

### Packaging Features

Packaging Quantity	500
Packaging Method	Loose Piece/Carton

### Other

Comment	Without Locking Hole
---------	----------------------

### Product Compliance

[For compliance documentation, visit the product page on TE.com>](#)

EU RoHS Directive 2011/65/EU	Compliant
EU ELV Directive 2000/53/EC	Compliant
China RoHS 2 Directive MIIT Order No 32, 2016	No Restricted Materials Above Threshold
EU REACH Regulation (EC) No. 1907/2006	Current ECHA Candidate List: JUNE 2022 (224) Candidate List Declared Against: JAN 2022 (223) SVHC > Threshold: Not Yet Reviewed
Halogen Content	Low Halogen - Br, Cl, F, I < 900 ppm per homogenous material. Also BFR/CFR/PVC Free
Solder Process Capability	Not applicable for solder process capability

Product Compliance Disclaimer



This information is provided based on reasonable inquiry of our suppliers and represents our current actual knowledge based on the information they provided. This information is subject to change. The part numbers that TE has identified as EU RoHS compliant have a maximum concentration of 0.1% by weight in homogenous materials for lead, hexavalent chromium, mercury, PBB, PBDE, DBP, BBP, DEHP, DIBP, and 0.01% for cadmium, or qualify for an exemption to these limits as defined in the Annexes of Directive 2011/65/EU (RoHS2). Finished electrical and electronic equipment products will be CE marked as required by Directive 2011/65/EU. Components may not be CE marked. Additionally, the part numbers that TE has identified as EU ELV compliant have a maximum concentration of 0.1% by weight in homogenous materials for lead, hexavalent chromium, and mercury, and 0.01% for cadmium, or qualify for an exemption to these limits as defined in the Annexes of Directive 2000/53/EC (ELV). Regarding the REACH Regulation, the information TE provides on SVHC in articles for this part number is based on the latest European Chemicals Agency (ECHA) 'Guidance on requirements for substances in articles' posted at this URL: <https://echa.europa.eu/guidance-documents/guidance-on-reach>

## Compatible Parts



REPRESENTATION ONLY

TE Part # 720725-1  
 DAHT 250 FASTIN-ON TAB REC 18-14 ASSY



TE Part # 4-1579007-3  
 EXTRACTION TOOL KIT



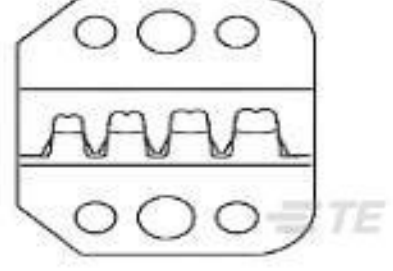
TE Part # 154660-2  
 FASTON 250 TAB 22-18 AWG TPBR



TE Part # 1-1579007-4  
 EXTRACTION TOOL



TE Part # 58524-1  
 PROCRIMPER TOOL & DIE



TE Part # 58524-2  
 PROCRIMPER DIE




TE Part # 641256-1  
 BLADE TAB 250 18-14AWG BR LP




TE Part # 3-1377175-4  
 SMP 0-0042241-2


## Also in the Series | FASTIN-FASTON 250




Crimp Terminal Housings(218)



Insertion & Extraction Tools(2)

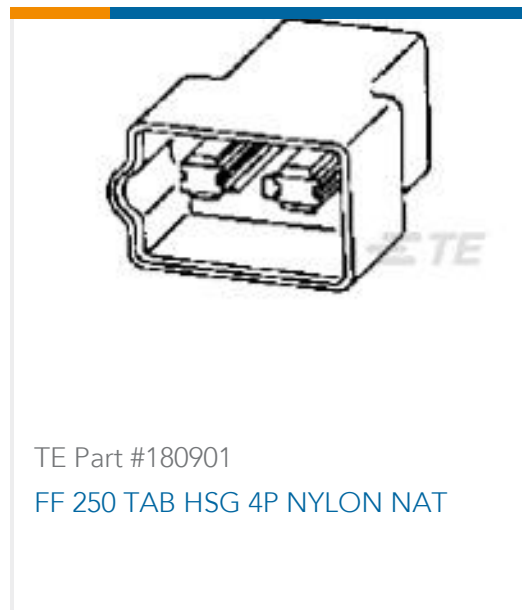


PCB Terminals(2)

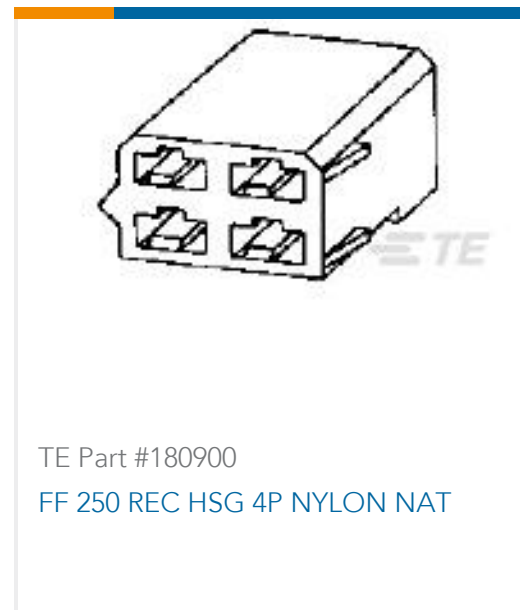


Quick Disconnects(255)

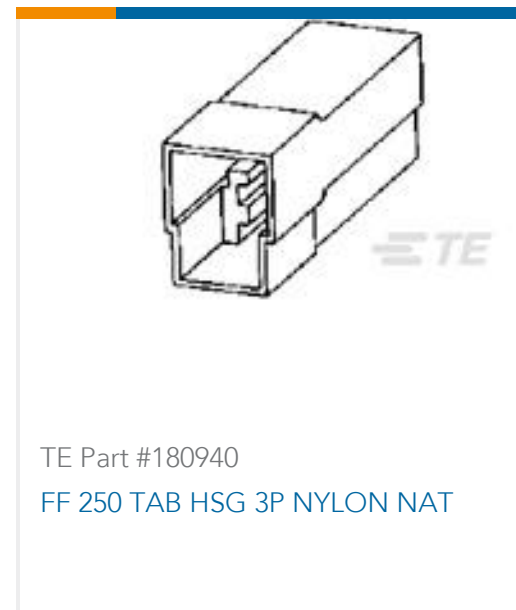
## Customers Also Bought



TE Part #180901  
FF 250 TAB HSG 4P NYLON NAT



TE Part #180900  
FF 250 REC HSG 4P NYLON NAT



TE Part #180940  
FF 250 TAB HSG 3P NYLON NAT



TE Part #2058299-1  
WTB HOUSING, 2 POS, NATURAL



TE Part #180916  
FF 250 TAB HSG 1P NYLON NAT



TE Part #2-1969540-0  
HOUSING, PLUG, 20P, DUAL ROW,  
EP2.5



TE Part #1744418-4  
4 POS EP 2.5 HDR, GLOW WIRE



TE Part #1-1969442-4  
EP 2.5 TPA Housing, 14 Pos



TE Part #5-103947-1  
8X2 MTE SHRD PIN SR LATCH .100

## Documents

### Product Drawings

[FF 250 TAB 18-14 AWG .032 TPBR](#)

English

### CAD Files

[3D PDF](#)

3D

Customer View Model

[ENG\\_CVM\\_CVM\\_42241-2\\_AB\\_c-42241-2-ab.2d\\_dxf.zip](#)

English

Customer View Model

[ENG\\_CVM\\_CVM\\_42241-2\\_AB\\_c-42241-2-ab.3d\\_igs.zip](#)

English

Customer View Model

[ENG\\_CVM\\_CVM\\_42241-2\\_AB\\_c-42241-2-ab.3d\\_stp.zip](#)

English

By downloading the CAD file I accept and agree to the [Terms and Conditions](#) of use.

### Product Specifications



**FASTIN-FASTON CONN. .110 INCH, .187 INCH, .250 INCH, .375 INCH SRS.**

English

**Product Specification**

English

---

**Product Environmental Compliance**

[MD\\_42241-2\\_11162015038\\_dmtec](#)

English

[MD\\_42241-2\\_11162015038\\_dmtec](#)

English

---

**Instruction Sheets**

[Instruction Sheet \(non U.S.\)](#)

Japanese

[Instruction Sheet \(non U.S.\)](#)

Japanese