



HPI

TE Internal #: 440133-3

Housing, Receptacle, Wire-to-Wire, 3 Position, 2.5 mm [.098 in]
Centerline, Crimp, 1 Row, Natural, Wire & Cable, Power & Signal,
HPI

[View on TE.com >](#)

Connectors > PCB Connectors > Wire-to-Board Connectors > Wire-to-Board Connector Assemblies & Housings >

AMP HPI 2.5MM RECEPTACLE HOUSINGS



Connector Product Type: **Housing**

Connector & Housing Type: **Receptacle**

Connector System: **Wire-to-Wire**

Number of Positions: **3**

Centerline (Pitch): **2.5 mm [.098 in]**

[All AMP HPI 2.5MM RECEPTACLE HOUSINGS \(28\)](#)

Features

Product Type Features

Connector Product Type	Housing
Connector & Housing Type	Receptacle
Connector System	Wire-to-Wire
Sealable	No
Connector & Contact Terminates To	Wire & Cable

Configuration Features

Number of Positions	3
Number of Rows	1

Electrical Characteristics

Dielectric Withstanding Voltage (Max)	1000 VAC
Insulation Resistance	1000 MΩ
Operating Voltage	250 VAC



Contact Features

Contact Layout	Inline
Contact Type	Socket
Contact Base Material	Phosphor Bronze
Contact Current Rating (Max)	3 A

Termination Features

Termination Method to Wire & Cable	Crimp
------------------------------------	-------

Mechanical Attachment

Strain Relief	Without
Panel Mount Feature	Without
Mating Retention	Without
Connector Mounting Type	Cable Mount (Free-Hanging)

Housing Features

Housing Entry Configuration	Both Ends Closed
Housing Material	Nylon 66
Centerline (Pitch)	2.5 mm [.098 in]
Housing Color	Natural

Dimensions

Connector Length	9.6 mm [.378 in]
Connector Height	4.2 mm [.165 in]
Connector Width	7.15 mm [.281 in]
Accepts Wire Insulation Diameter Range	1 – 1.9 mm [.039 – .075 in]
Wire Size	26 AWG

Usage Conditions

Operating Temperature Range	-25 – 105 °C [-13 – 221 °F]
-----------------------------	-----------------------------

Operation/Application

Circuit Application	Power & Signal
---------------------	----------------

Industry Standards

Glow Wire Rating	Standard Part - Not Glow Wire
UL Flammability Rating	UL 94V-0

Packaging Features



Packaging Quantity	1000
Packaging Method	Bag & Box

Other

Comment	114-57004
---------	-----------

Product Compliance

[For compliance documentation, visit the product page on TE.com>](#)

EU RoHS Directive 2011/65/EU	Compliant
EU ELV Directive 2000/53/EC	Compliant
China RoHS 2 Directive MIIT Order No 32, 2016	No Restricted Materials Above Threshold
EU REACH Regulation (EC) No. 1907/2006	Current ECHA Candidate List: JUNE 2022 (224) Candidate List Declared Against: JAN 2022 (223) SVHC > Threshold: Not Yet Reviewed
Halogen Content	Low Halogen - Br, Cl, F, I < 900 ppm per homogenous material. Also BFR/CFR/PVC Free
Solder Process Capability	Not applicable for solder process capability

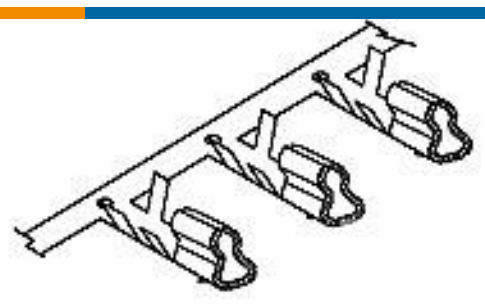
Product Compliance Disclaimer

This information is provided based on reasonable inquiry of our suppliers and represents our current actual knowledge based on the information they provided. This information is subject to change. The part numbers that TE has identified as EU RoHS compliant have a maximum concentration of 0.1% by weight in homogenous materials for lead, hexavalent chromium, mercury, PBB, PBDE, DBP, BBP, DEHP, DIBP, and 0.01% for cadmium, or qualify for an exemption to these limits as defined in the Annexes of Directive 2011/65/EU (RoHS2). Finished electrical and electronic equipment products will be CE marked as required by Directive 2011/65/EU. Components may not be CE marked. Additionally, the part numbers that TE has identified as EU ELV compliant have a maximum concentration of 0.1% by weight in homogenous materials for lead, hexavalent chromium, and mercury, and 0.01% for cadmium, or qualify for an exemption to these limits as defined in the Annexes of Directive 2000/53/EC (ELV). Regarding the REACH Regulation, the information TE provides on SVHC in articles for this part number is based on the latest European Chemicals Agency (ECHA) 'Guidance on requirements for substances in articles' posted at this URL: <https://echa.europa.eu/guidance-documents/guidance-on-reach>

Compatible Parts



TE Part # CAT-H857-H34225
AMP HPI 2.5MM HEADERS



TE Part # 440134-1
2.5mm,Crimp Contact

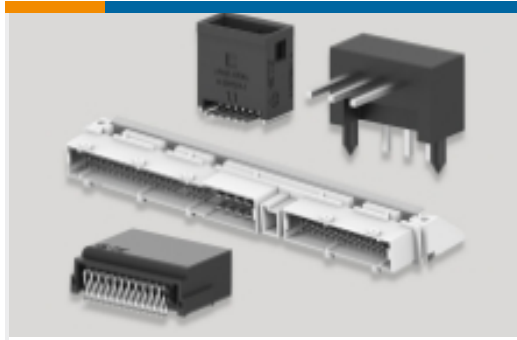


TE Part # 6-440052-3
2.5MM,HDR,3POS,VERTICAL CONN W/O REGRIND



TE Part # 8-440052-3
2.5MM,HDR,3POS,VERTICAL CONN W/O REGRIND

Also in the Series | HPI



PCB Headers & Receptacles(362)



Wire-to-Board Connector Assemblies & Housings(139)



Wire-to-Board Connector Contacts(2)

Customers Also Bought



TE Part #177903-1
POWER DBL LOCK PLUG HSG 9P



TE Part #177911-1
POWER DBL LOCK CAP HSG P/M 9P



TE Part #770009-1
UMNL II PIN PTPBR



TE Part #794993-1
06P UMNL BLACK INTERFACE SEAL



TE Part #917686-1
2.5 SIGNAL D/LOCK PLUG HSG 2P



TE Part #770038-1
06P UMNL II PLUG REAR 94VO



TE Part #770037-1
06P UMNL II PLUG-FRONT 94VO



TE Part #2029383-1
06P UMNL-II FRONT2RR FOAM SPCR

Documents

[Product Drawings](#)
2.5MM,HSG,3POS

English

[CAD Files](#)
3D PDF

3D



Customer View Model

[ENG_CVM_CVM_440133-3_C.2d_dxf.zip](#)

English

Customer View Model

[ENG_CVM_CVM_440133-3_C.3d_igs.zip](#)

English

Customer View Model

[ENG_CVM_CVM_440133-3_C.3d_stp.zip](#)

English

By downloading the CAD file I accept and agree to the [Terms and Conditions](#) of use.

Datasheets & Catalog Pages

[HPI Connectors QRG](#)

English

Product Specifications

[AMP 2.5MM PITCH HPI WIRE TO BOARD SYSTEM.](#)

English

[Application Specification](#)

English

Product Environmental Compliance

[TE Material Declaration](#)

English

Agency Approvals

[UL Report](#)

English