

353253-1 ✓ ACTIVE

Positive Lock | Positive Lock 110

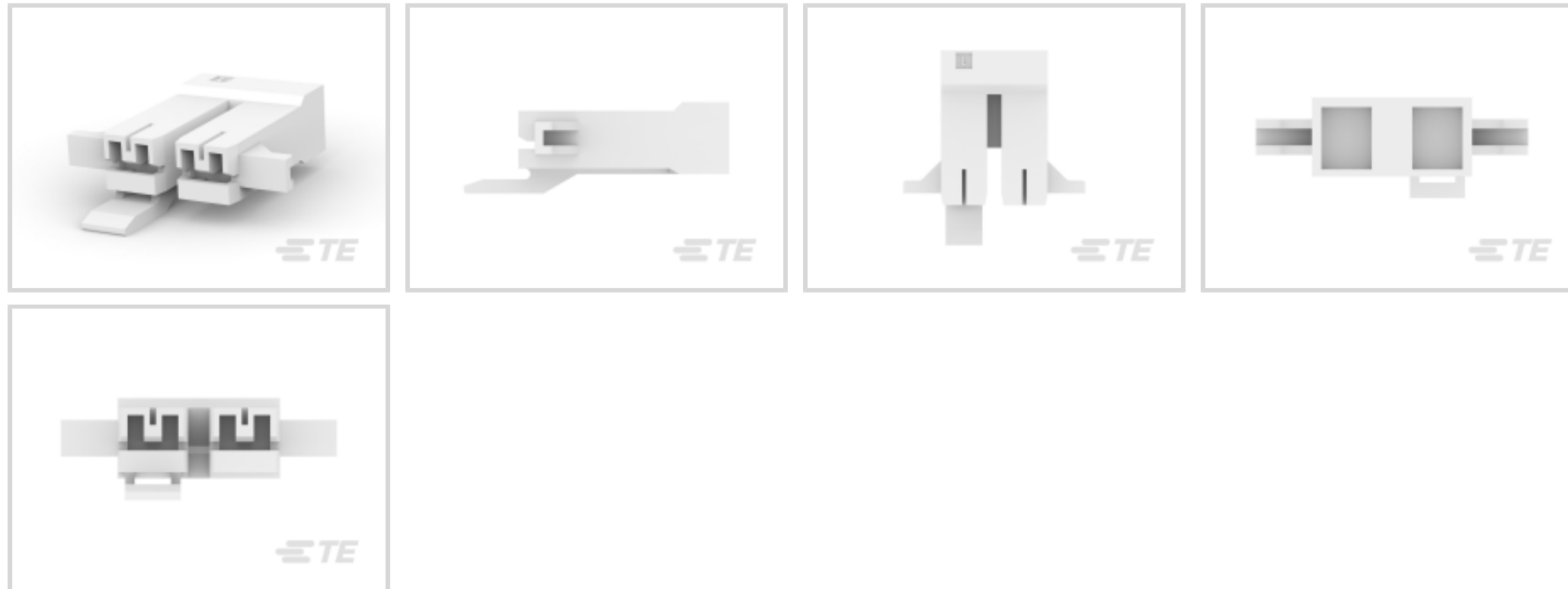
TE Internal #: 353253-1

Crimp Terminal Housings, Receptacle, Receptacle, 2 Position, Straight, UL 94V-0, Natural, Nylon, Contact Mating Retention, Positive Lock 110

[View on TE.com >](#)



Terminals & Splices > Terminal Housings, Insulation Sleeves & Blocks > Crimp Terminal Housings



Terminal Type: **Receptacle**

Housing Type: **Receptacle**

Number of Positions: **2**

Terminal Orientation: **Straight**

UL Flammability Rating: **UL 94V-0**

Features

Product Type Features

Terminates To	Wire & Cable
Product Type	Terminal Housing
Sealable	No
Housing Type	Receptacle
Insulated	No

Configuration Features

Number of Positions	2
---------------------	---

Body Features

Primary Product Color	Natural
-----------------------	---------

Contact Features

Terminal Type	Receptacle
Terminal Orientation	Straight
Contact Mating Retention	With

Mechanical Attachment

Mating Alignment	With
Crimp Terminal Housing Mounting Style	Cable Mount (Free-Hanging)

Housing Features

Housing Material	Nylon
Centerline (Pitch)	7.6 mm[.299 in]

Dimensions

Length	19.4 mm[.764 in]
--------	------------------

Usage Conditions

Operating Temperature Range	-40 – 105 °C[-40 – 221 °F]
-----------------------------	----------------------------

Industry Standards

UL Flammability Rating	UL 94V-0
------------------------	----------

Product Compliance

[For compliance documentation, visit the product page on TE.com>](#)

EU RoHS Directive 2011/65/EU	Compliant
EU ELV Directive 2000/53/EC	Compliant
China RoHS 2 Directive MIIT Order No 32, 2016	No Restricted Materials Above Threshold
EU REACH Regulation (EC) No. 1907/2006	Current ECHA Candidate List: JUNE 2022 (224) Candidate List Declared Against: JAN 2022 (223) SVHC > Threshold: Not Yet Reviewed
Halogen Content	Low Halogen - Br, Cl, F, I < 900 ppm per homogenous material. Also BFR/CFR/PVC Free
Solder Process Capability	Not applicable for solder process capability

Product Compliance Disclaimer

This information is provided based on reasonable inquiry of our suppliers and represents our current actual knowledge based on the information they provided. This information is subject to change. The part numbers that TE has identified as EU RoHS compliant have a maximum concentration of 0.1% by weight in homogenous materials for lead, hexavalent chromium, mercury, PBB, PBDE, DBP, BBP, DEHP, DIBP, and 0.01% for cadmium, or qualify for an exemption to these limits as defined in the Annexes of Directive 2011/65/EU (RoHS2). Finished electrical and electronic equipment products will be CE marked as required by Directive 2011/65/EU. Components may not be CE marked. Additionally, the part numbers that TE has identified as EU ELV compliant have a maximum concentration of 0.1% by weight in homogenous materials for lead, hexavalent chromium, and mercury, and 0.01% for cadmium, or qualify for an exemption to these limits as defined in the Annexes of Directive 2000/53/EC (ELV). Regarding the REACH Regulation, the information TE provides

on SVHC in articles for this part number is based on the latest European Chemicals Agency (ECHA) 'Guidance on requirements for substances in articles' posted at this URL: <https://echa.europa.eu/guidance-documents/guidance-on-reach>

Compatible Parts



TE Part # 1827628-1
POSITIVE LOCK EX 110 HOUSING



TE Part # 353249-2
110 PL EX REC. 26-22AWG PTPHBZ



TE Part # 353250-2
110 PL EX REC. 20-16AWG PTPHBZ



TE Part # 353253-2
PL EX 110 (2.8 MM) HOUSING RECEPTACLE



TE Part # 353254-1
POSITIVE LOCK EX 110 (2.8 MM)

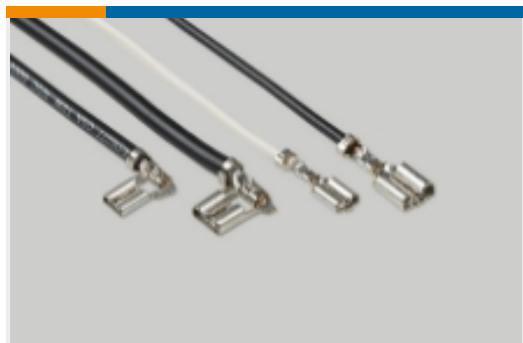
Also in the Series | Positive Lock 110



Crimp Terminal Housings(12)



Insertion & Extraction Tools(1)



Quick Disconnects(8)

Customers Also Bought



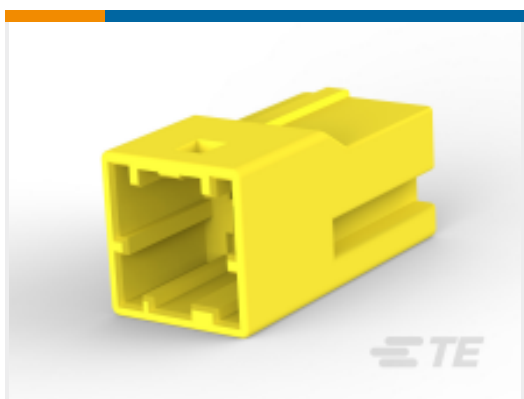
TE Part #179938-1
AMP POWER DBL LOCK PLUG HSG 3P



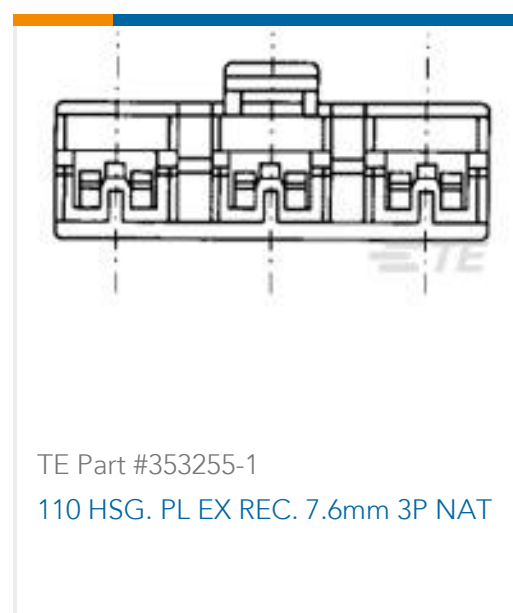
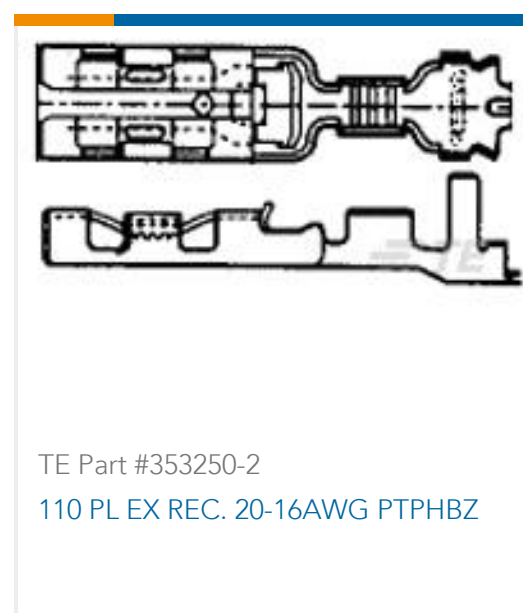
TE Part #316061-1
POWER DBL LOCK PLATE 2P /6.5MM



TE Part #316769-1
POWER D/LOCK CAP HSG 1P NATURA



TE Part #2-1903391-3
STD Temp Sig GRACE INERTIA Cap



Documents

Product Drawings

PL EX 110 (2.8 MM) HOUSING RECEPTACLE

English

CAD Files

3D PDF

3D

Customer View Model

[ENG_CVM_CVM_353253-1_D.2d_dxf.zip](#)

English

Customer View Model

[ENG_CVM_CVM_353253-1_D.3d_igs.zip](#)

English

Customer View Model

[ENG_CVM_CVM_353253-1_D.3d_stp.zip](#)

English

By downloading the CAD file I accept and agree to the [Terms and Conditions](#) of use.

Product Specifications

Application Specification

English

110 Series Positive Lock EX-III Contact

Japanese

Application Specification

Japanese

110 Series Positive Lock EX-III Contact

English