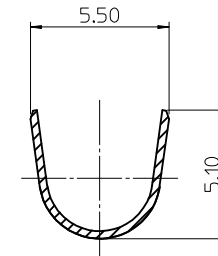
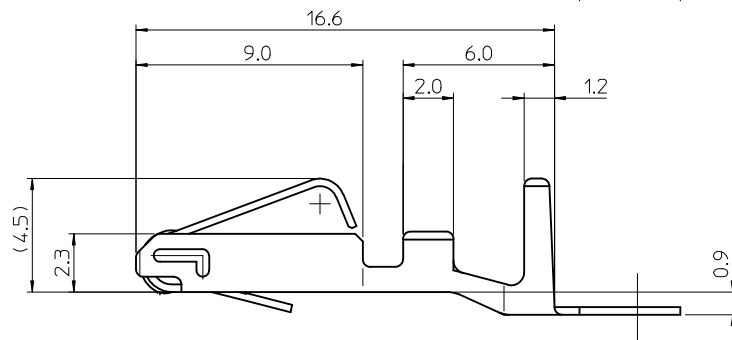


SECTION A-A



SECTION B-B

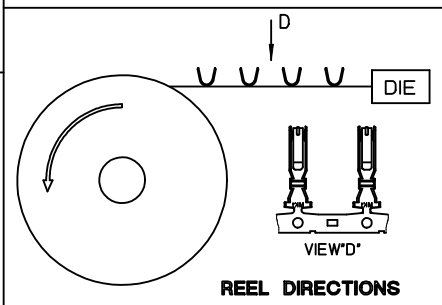


<NOTES>

- △ D1 1. APPLICABLE WIRE SIZE : AVS 0.5~0.85SQ
- 2. APPLICABLE WIRE SEAL PART NO.: 35903-0106
- 3. APPLICABLE SOCKET SERIES NO.: 35842/35843
- 4. MATERIAL : PHOSPHOR BRONZE, THICKNESS=0.30mm, UNPLATED

<TABLE 1>

MATERIAL NO.	ORDER NO.
354658000	35465-8000
DESIGN UNITS	THIRD ANGLE PROJECTION
METRIC	



REEL DIRECTIONS

REVISED
EC NO: KTR2015-0102
DRWN: JKSE001 2015/05/06
CHKD:
APPR: JYCH01 2015/05/14

QUALITY SYMBOLS	DESCRIPTION
	=0
	=0

GENERAL TOLERANCES (UNLESS SPECIFIED)	
	mm INCH
4 PLACES	± --- ± ---
3 PLACES	± --- ± ---
2 PLACES	± 0.20 ± ---
1 PLACE	± 0.30 ± ---
ANGULAR ± 1 °	
DRAFT WHERE APPLICABLE MUST REMAIN WITHIN DIMENSIONS	

DIMENSION STYLE	
MM ONLY	
DRAWN BY	DATE
YSIKKIM	1998/11/26
CHECKED BY	DATE
BKCH01	1998/11/26
APPROVED BY	DATE
CWLEE	1998/11/26
MATERIAL NO.	
SEE TABLE 1	
SIZE	A3

TITLE	
EARTH TERMINAL FOR PT BULB SOCKET	
MOLEX INCORPORATED	
MATERIAL NO.	DOCUMENT NO.
SD-35465-001	SD-35465-001
SHEET NO.	1 OF 1