

41774 ✓ ACTIVE

FASTON | FASTON 250

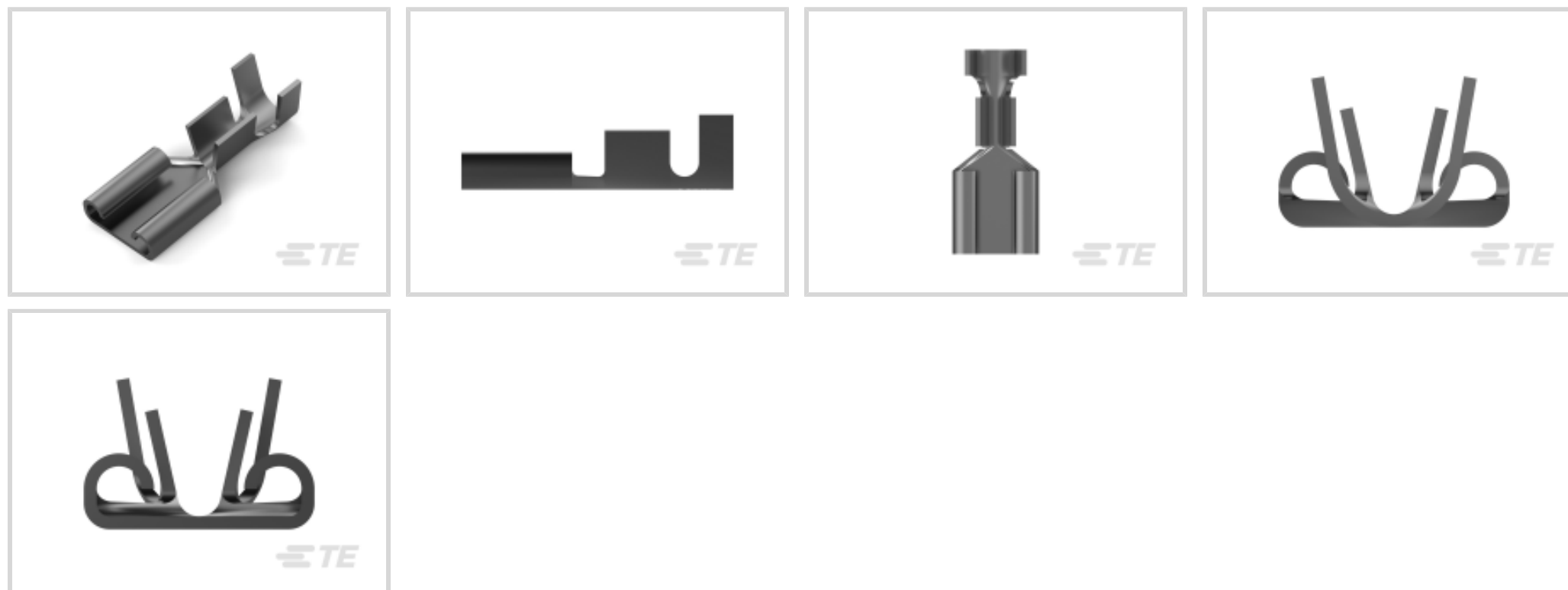
TE Internal #: 41774

Quick Disconnects, Receptacle, 18 – 14 AWG Wire Size, .82 – 2.08 mm² Wire Size, Mating Tab Width .25 in [6.35 mm], Straight, FASTON 250

[View on TE.com >](#)



Terminals & Splices > Quick Disconnects



Quick Disconnect Terminal Type: **Receptacle**

Wire Size: .82 – 2.08 mm²

Mating Tab Width: 6.35 mm [.25 in]

Mating Tab Thickness: .81 mm [.032 in]

Features

Product Type Features

Terminates To	Wire & Cable
Wire/Cable Type	Regular Wire
Insertion Force	Normal
Sealable	No

Configuration Features

Connection Capacity	Single
---------------------	--------

Contact Features

Quick Disconnect Terminal Type	Receptacle
Mating Tab Width	6.35 mm [.25 in]
Mating Tab Thickness	.81 mm [.032 in]
Terminal Orientation	Straight
Contact Base Material	Phosphor Bronze
Terminal Plating Material	Tin
Crimp Type	F-Crimp
Barrel Type	Open



Mechanical Attachment

Mating Retention Type	Dimple
Wire Insulation Support	With

Dimensions

Accepts Wire Insulation Diameter Range	3.1 – 4.3 mm [.12 – .17 in]
Overall Length	19.05 mm [.75 in]
Receptacle Terminal Stock Thickness	.46 mm [.018 in]
Wire Size	.82 – 2.08 mm ²

Usage Conditions

Insulation Option	Uninsulated
Operating Temperature Range	-40 – 110 °C [-40 – 230 °F]

Industry Standards

UL Rating	Listed
CSA Certified	Yes

Packaging Features

Packaging Quantity	11000
Packaging Method	Strip/Reel

Other

Line	Premier
------	---------

Product Compliance

[For compliance documentation, visit the product page on TE.com>](#)

EU RoHS Directive 2011/65/EU	Compliant
EU ELV Directive 2000/53/EC	Compliant
China RoHS 2 Directive MIIT Order No 32, 2016	No Restricted Materials Above Threshold
EU REACH Regulation (EC) No. 1907/2006	Current ECHA Candidate List: JUNE 2022 (224) Candidate List Declared Against: JAN 2022 (223) SVHC > Threshold: Not Yet Reviewed
Halogen Content	Low Halogen - Br, Cl, F, I < 900 ppm per homogenous material. Also BFR/CFR/PVC Free

Solder Process Capability

Not applicable for solder process capability

Product Compliance Disclaimer

This information is provided based on reasonable inquiry of our suppliers and represents our current actual knowledge based on the information they provided. This information is subject to change. The part numbers that TE has identified as EU RoHS compliant have a maximum concentration of 0.1% by weight in homogenous materials for lead, hexavalent chromium, mercury, PBB, PBDE, DBP, BBP, DEHP, DIBP, and 0.01% for cadmium, or qualify for an exemption to these limits as defined in the Annexes of Directive 2011/65/EU (RoHS2). Finished electrical and electronic equipment products will be CE marked as required by Directive 2011/65/EU. Components may not be CE marked. Additionally, the part numbers that TE has identified as EU ELV compliant have a maximum concentration of 0.1% by weight in homogenous materials for lead, hexavalent chromium, and mercury, and 0.01% for cadmium, or qualify for an exemption to these limits as defined in the Annexes of Directive 2000/53/EC (ELV). Regarding the REACH Regulation, the information TE provides on SVHC in articles for this part number is based on the latest European Chemicals Agency (ECHA) 'Guidance on requirements for substances in articles' posted at this URL: <https://echa.europa.eu/guidance-documents/guidance-on-reach>

Compatible Parts



REPRESENTATION ONLY

TE Part # 90165-1
DAHT 250 FASTON REC 18-14 ASSY



TE Part # 2-2150451-1
OCEAN_2.0_Applicator-E-120F180F



TE Part # 2-2150451-2
OCEAN_2.0_Applicator-E-120F180FA



TE Part # 2150451-1
OCEAN_2.0_Applicator-E-120F180F



TE Part # 2150451-2
OCEAN_2.0_Applicator-E-120F180FA



TE Part # 2376595-2
250 FASTON PCB TAB TPBR



TE Part # 7-2150451-1
OCEAN_2.0_Applicator-E-120F180F



TE Part # 7-2150451-2
OCEAN_2.0_Applicator-E-120F180FA



KIT

REPRESENTATION ONLY

TE Part # 7-2150451-7
OCEAN_2.0_SPARE_PART_KIT-120F180F



TE Part # 2376591-3
250 FASTON PCB TAB TPBR LP

Also in the Series | **FASTON 250**



Compression Connectors(4)



Crimp Terminal Housings(143)



Insertion & Extraction Tools(6)



Magnet Wire Terminals(1)



PCB Terminals(144)



Quick Disconnects(456)



Splices(4)

Customers Also Bought



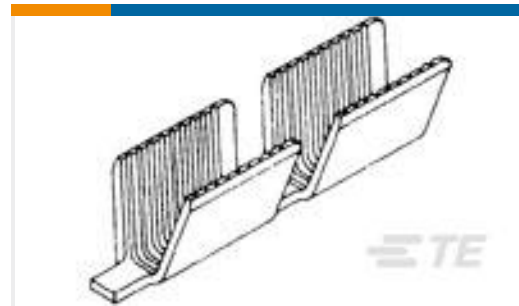
TE Part #2-34148-1
PG R 22-16 COMM 22-18 MIL 8



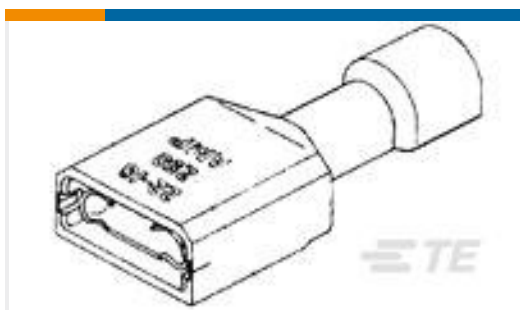
TE Part #61944-2
250 FASTON REC 18-14 AWG TPBR



TE Part #41800
250 FASTON FLAG REC 18-12 AWG TPBZ



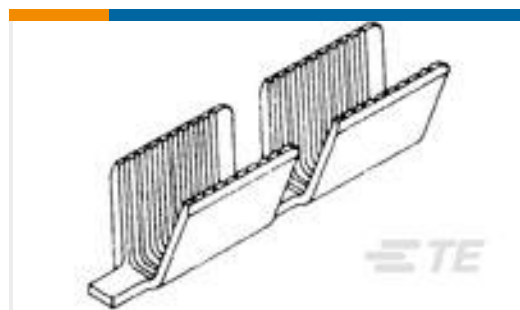
TE Part #62308-2
AMVAR SPLC 3000-7000 020TPBR



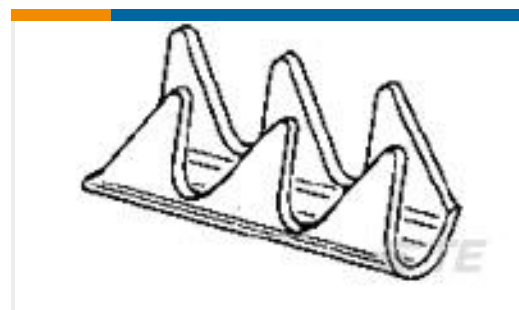
TE Part #2-520932-2
ULTRA-FAST .110/.125 ASY REC 22-18 TPBR



TE Part #180984
FASTON 250 BOOT FLAG NYLON NAT



TE Part #62311-2
AMVAR SPLC 10M-17M 0295 TPBR



TE Part #926933-2
WIRE PIN 18-17 AWG .01 BR



TE Part #1-455713-2
CRIMPER BLUNT



TE Part #690569-1
FRONT SHEAR PLATE

Documents



Product Drawings

250 FASTON REC 18-14 AWG TPBZ

English

CAD Files

Customer View Model

[ENG_CVM_CVM_41774_AC.2d_dxf.zip](#)

English

3D PDF

3D

Customer View Model

[ENG_CVM_CVM_41774_AC.3d_igs.zip](#)

English

Customer View Model

[ENG_CVM_CVM_41774_AC.3d_stp.zip](#)

English

By downloading the CAD file I accept and agree to the [Terms and Conditions](#) of use.

Datasheets & Catalog Pages

FASTIN_FASTON_Product_Line

English

82004 FASTON Terminals (Insulated and Uninsulated) Catalog - FASTON Receptacles Section

English

Product Specifications

Application Specification

English

Application Specification

English

Wire Preparation And Crimp Inspection Guide

English

Product Environmental Compliance

MD_41774_04202017018_dmtec

English

MD_41774_04202017018_dmtec

English