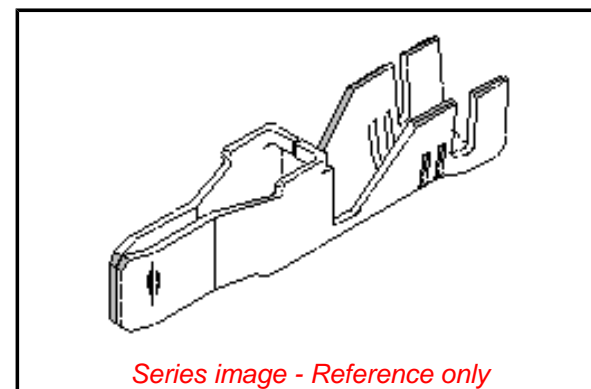


**PLEASE CHECK WWW.MOLEX.COM FOR LATEST PART INFORMATION**

**Part Number:** [0428170041](#)  
**Status:** **Active**  
**Overview:** Mini-Fit Sr.™ Power Connectors  
**Description:** Mini-Fit Sr.™ Crimp Terminal, Male, 14-16 AWG, Tin (Sn)  
**Replacement Part Number:** <http://www.molex.com/molex/products/listview.jsp?channel=Products&sType=p&query=042817004242817-0042> (Gold)

**Documents:**

[Drawing \(PDF\)](#) [Packaging Specification PK-42815-001 \(PDF\)](#)  
[Product Specification PS-42815-001 \(PDF\)](#) [RoHS Certificate of Compliance \(PDF\)](#)  
[Application Specification AS-42815-001 \(PDF\)](#)



**General**

Product Family	Crimp Terminals
Series	42817
Application	Power
Comments	High Current/Low Force See Product Specification for maximum current rating by circuit size and application.
Crimp Quality Equipment Overview	Yes
Product Name	<a href="#">Mini-Fit Sr.™ Power Connectors</a>
Replacement Part Number	Mini-Fit Sr.™
Replacement Part Number	<a href="#">42817-0042</a> (Gold)
UPC	<a href="#">42817-1044</a> (Silver)
	756054457092

**Physical**

Gender	Male
Material - Metal	High Performance Alloy (HPA)
Material - Plating Mating	Tin over Nickel
Material - Plating Termination	Tin over Nickel
Net Weight	1.340/g
Packaging Type	Reel
Plating min - Mating	2.540µm
Plating min - Termination	2.540µm
Termination Interface: Style	Crimp or Compression
Wire Insulation Diameter	4.57mm max.
Wire Size AWG	14, 16
Wire Size mm²	N/A

**Electrical**

Current - Maximum per Contact	50.0A
-------------------------------	-------

**Solder Process Data**

Lead-freeProcess Capability	N/A
-----------------------------	-----

**Material Info**

**Reference - Drawing Numbers**

Application Specification	AS-42815-001
Packaging Specification	PK-42815-001
Product Specification	PS-42815-001, RPS-42815-011, RPS-42815-012, RPS-42815-013, RPS-42815-014
Sales Drawing	SD-42817-020

**EU ELV**

**Not Relevant**

**EU RoHS**

**Compliant**

**China RoHS**

**REACH SVHC**

Contains SVHC(2015 June 15): No

**Halogen-Free**

**Status**

**Low-Halogen**

**Need more information on product environmental compliance?**

Email [productcompliance@molex.com](mailto:productcompliance@molex.com)  
Please visit the [Contact Us](#) section for any non-product compliance questions.

China ROHS  
ELV

Green Image  
Not Relevant

**Search Parts in this Series**

[42817 Series](#)

**Use With**

Mini-Fit Sr.™ Plug Housings [42818](#) , [43938](#)

**Application Tooling | FAQ**

*Tooling specifications and manuals are found by selecting the products below. Crimp Height Specifications are then contained in the Application Tooling Specification document.*

**Global**

Description	Product #
Hand Crimp Tool	<a href="#">0638113800</a>
Mini-Mac™ Applicator	<a href="#">0638912000</a>
Manual Extraction Tool	<a href="#">0638130400</a>

**PLEASE CHECK [WWW.MOLEX.COM](http://WWW.MOLEX.COM) FOR LATEST PART INFORMATION**