

42115-4 ✓ ACTIVE

FASTON | FASTON 250

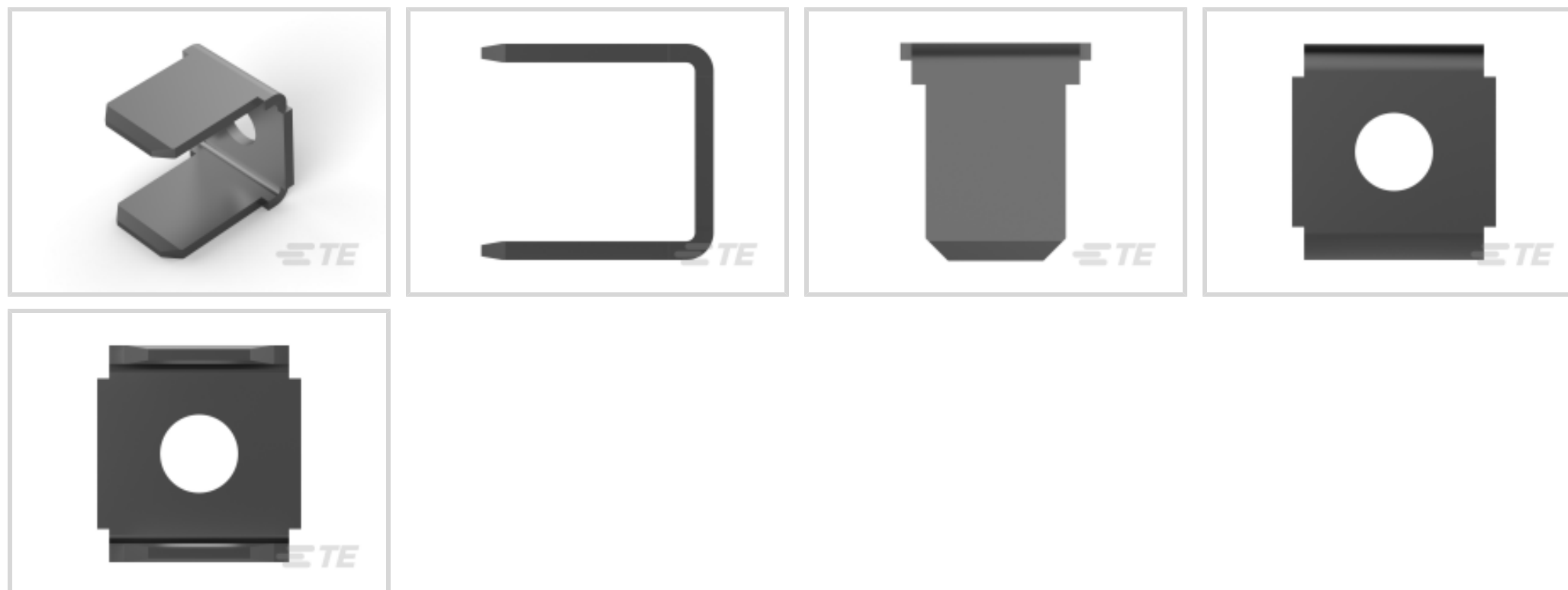
TE Internal #: 42115-4

PCB Terminals, Tab, Mating Tab Width 6.35 mm [.25 in], PCB Hole Diameter 3.3 mm [.13 in], Through Hole - Screw, Tin Plating, Brass, FASTON 250

[View on TE.com >](#)



Terminals & Splices > PCB Terminals



PCB Terminal Type: **Tab**

Mating Tab Width: **6.35 mm [.25 in]**

Mating Tab Thickness: **.81 mm [.032 in]**

PCB Hole Diameter: **3.3 mm [.13 in]**

Termination Method to Printed Circuit Board: **Through Hole - Screw**

Features

Product Type Features

Insertion Force	Low
PCB Terminal Mounting Style	Stud Mount

Configuration Features

Stud Hole	Yes
Terminal Angle	90 °

Body Features

	40 µin
--	--------

Contact Features

PCB Terminal Type	Tab
Mating Tab Width	6.35 mm [.25 in]
Mating Tab Thickness	.81 mm [.032 in]
Terminal Plating Material	Tin
Contact Underplating Material	Brass
Terminal Size	6.35



Terminal Orientation	Flag
----------------------	------

Termination Features

Termination Method to Printed Circuit Board	Through Hole - Screw
Product Terminates To	Printed Circuit Board

Dimensions

Stud Diameter	3.22 mm [.127 in]
PCB Hole Diameter	3.3 mm [.13 in]

Usage Conditions

Insulation Option	Uninsulated
Operating Temperature Range	-30 – 110 °C [-22 – 230 °F]

Packaging Features

Packaging Quantity	6000
Packaging Method	Reel

Product Compliance

[For compliance documentation, visit the product page on TE.com>](#)

EU RoHS Directive 2011/65/EU	Compliant
EU ELV Directive 2000/53/EC	Compliant
China RoHS 2 Directive MIIT Order No 32, 2016	No Restricted Materials Above Threshold
EU REACH Regulation (EC) No. 1907/2006	Current ECHA Candidate List: JUNE 2022 (224) Candidate List Declared Against: JAN 2022 (223) SVHC > Threshold: Not Yet Reviewed
Halogen Content	Low Halogen - Br, Cl, F, I < 900 ppm per homogenous material. Also BFR/CFR/PVC Free
Solder Process Capability	Not applicable for solder process capability

Product Compliance Disclaimer

This information is provided based on reasonable inquiry of our suppliers and represents our current actual knowledge based on the information they provided. This information is subject to change. The part numbers that TE has identified as EU RoHS compliant have a maximum concentration of 0.1% by weight in homogenous materials for lead, hexavalent chromium, mercury, PBB, PBDE, DBP, BBP, DEHP, DIBP, and 0.01% for cadmium, or qualify for an exemption to these limits as defined in the Annexes of Directive 2011/65/EU (RoHS2). Finished electrical and electronic equipment products will be CE marked as required by Directive 2011/65/EU. Components may not be CE marked. Additionally, the part numbers that TE has identified as EU ELV compliant have a maximum concentration of 0.1% by weight in homogenous materials for lead, hexavalent chromium, and mercury, and 0.01% for cadmium, or qualify for an exemption to these limits

as defined in the Annexes of Directive 2000/53/EC (ELV). Regarding the REACH Regulation, the information TE provides on SVHC in articles for this part number is based on the latest European Chemicals Agency (ECHA) 'Guidance on requirements for substances in articles' posted at this URL: <https://echa.europa.eu/guidance-documents/guidance-on-reach>

Compatible Parts



TE Part # 63483-1
FAST,AMPLIVAR .250 TAB 200-566
CMA TPBR



TE Part # 42115-6
250 FASTON TAB BR



TE Part # 735084-2
110 FASTON TAB TPBR



TE Part # 216842-4
250 FASTON,TAB,PCB,SPPB



TE Part # 964187-2
110 FASTON TAB NPBR



TE Part # 1217183-1
FASTON,SPECIAL FLAG,TAB,TNBR



TE Part # 216842-6
PCB Tab 250 ACTION PIN w/hole



TE Part # 282051-2
250 FASTON,TAB,TPBR




TE Part # 735292-1
110 FASTON TAB BR

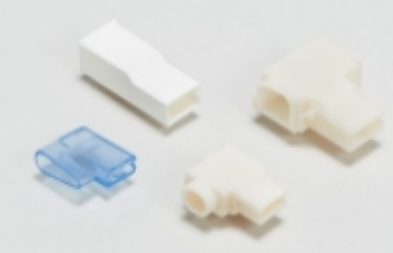


TE Part # 735292-2
110 FASTON TAB TPBR


Also in the Series | FASTON 250



Compression Connectors(4)



Crimp Terminal Housings(143)



Insertion & Extraction Tools(6)



Magnet Wire Terminals(1)



PCB Terminals(144)

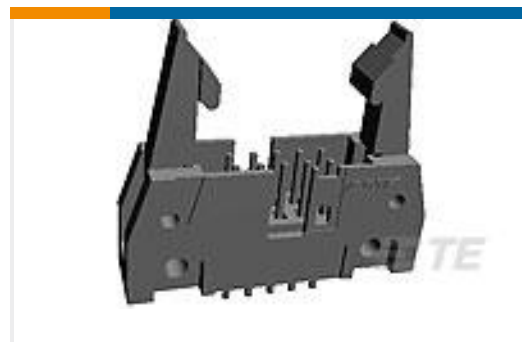


Quick Disconnects(456)



Splices(4)

Customers Also Bought

TE Part #5102321-3
A/L UNIV HDR 16P VERT LG LATTE Part #794287-1
04P CMNL HDR ASSY BLK HTTE Part #5-104935-9
09 MTE HDR SRRA LTCH.100CL LFTE Part #4-794636-2
12P MICRO MNL ASSY,VRT,SMT,LFTE Part #1-206455-2
23-63 SZ CPC PSTD PIN RECPT LFTE Part #6609064-4
10EOP=F7690A S0TE Part #4-103186-0
80 MODII HDR DRST B/A .100CL

Documents

Product Drawings

250 FASTON TAB TPBR

English

CAD Files

3D PDF

3D

Customer View Model

[ENG_CVM_CVM_42115-4_CR.2d_dxf.zip](#)

English

Customer View Model

[ENG_CVM_CVM_42115-4_CR.3d_igs.zip](#)

English

Customer View Model

[ENG_CVM_CVM_42115-4_CR.3d_stp.zip](#)

English

By downloading the CAD file I accept and agree to the [Terms and Conditions](#) of use.



Datasheets & Catalog Pages

FASTON Tabs

English

Product Specifications

Application Specification

English

Product Environmental Compliance

Product Compliance

English

Product Compliance

English

Agency Approvals

CSA Certificate

English

CSA Certificate

English