

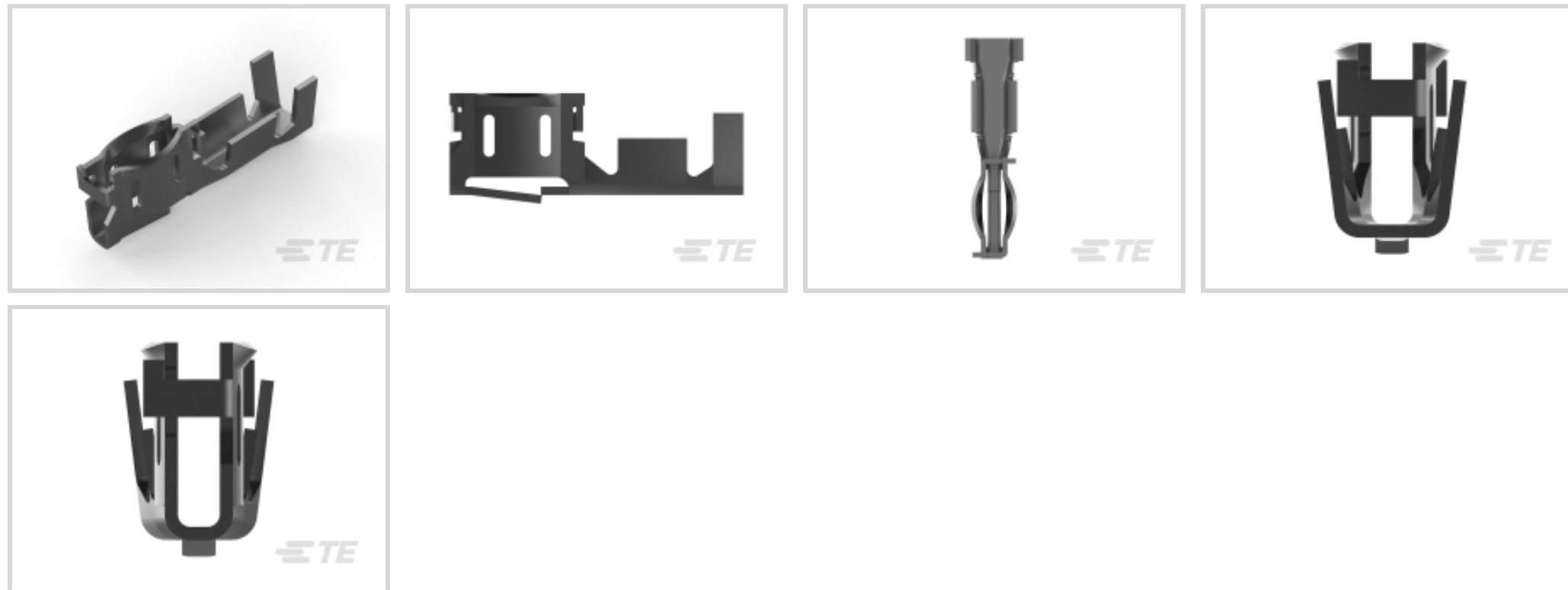


TE Internal #: 353937-1

Magnet Wire Terminals, Receptacle, Mating Tab Width .137 in [3.5 mm], .82 – 2 mm Magnet Wire, 18 – 14 AWG Magnet Wire, Crimp, Tin Plating

[View on TE.com >](#)

Terminals & Splices > Magnet Wire Terminals



Magnet Wire Terminal Type: **Receptacle**

Mating Tab Width: **3.5 mm [.137 in]**

Mating Pin Diameter: **2.29 mm [.09 in]**

Accepts Wire Insulation Diameter (Max): **2.9 mm [.114 in]**

Accepts Wire Insulation Diameter Range: **2 – 2.9 mm [.079 – .114 in]**

Features

Product Type Features

Wire Insulation Support Retention Type	Insulation Support
Compatible With Discrete Wire Type	Magnet Wire, Solid
Sealable	No

Contact Features

Magnet Wire Terminal Type	Receptacle
Mating Tab Width	3.5 mm [.137 in]
Mating Pin Diameter	2.29 mm [.09 in]
Terminal Plating Material	Tin
Terminal Orientation	Straight

Termination Features

Termination Method to Wire & Cable	Crimp
------------------------------------	-------

Mechanical Attachment

Wire Insulation Support	With
-------------------------	------

Housing Features



Housing Retention Force	Standard
-------------------------	----------

Dimensions

Terminal Height	6 mm[.232 in]
Accepts Wire Insulation Diameter (Max)	2.9 mm[.114 in]
Accepts Wire Insulation Diameter Range	2 – 2.9 mm[.079 – .114 in]
Magnet Wire Size	18 – 14 AWG
Stock Thickness (Magnet Wire Side)	.4 mm[.016 in]
Overall Product Length	17.2 mm[.677 in]

Usage Conditions

Insulation Option	Uninsulated
Operating Temperature Range	-20 – 150 °C[-4 – 302 °F]

Operation/Application

Compatible With Wire Base Material	Aluminum, Copper
------------------------------------	------------------

Packaging Features

Packaging Quantity	5000
Packaging Method	Reel

Product Compliance

[For compliance documentation, visit the product page on TE.com>](#)

EU RoHS Directive 2011/65/EU	Compliant
EU ELV Directive 2000/53/EC	Compliant
China RoHS 2 Directive MIIT Order No 32, 2016	No Restricted Materials Above Threshold
EU REACH Regulation (EC) No. 1907/2006	Current ECHA Candidate List: JUNE 2022 (224) Candidate List Declared Against: JAN 2022 (223) SVHC > Threshold: Not Yet Reviewed
Halogen Content	Low Halogen - Br, Cl, F, I < 900 ppm per homogenous material. Also BFR/CFR/PVC Free
Solder Process Capability	Not applicable for solder process capability

Product Compliance Disclaimer

This information is provided based on reasonable inquiry of our suppliers and represents our current actual knowledge based on the information they provided. This information is subject to change. The part numbers that TE has identified as EU RoHS compliant have a maximum concentration of 0.1% by weight in homogenous materials for lead, hexavalent

chromium, mercury, PBB, PBDE, DBP, BBP, DEHP, DIBP, and 0.01% for cadmium, or qualify for an exemption to these limits as defined in the Annexes of Directive 2011/65/EU (RoHS2). Finished electrical and electronic equipment products will be CE marked as required by Directive 2011/65/EU. Components may not be CE marked. Additionally, the part numbers that TE has identified as EU ELV compliant have a maximum concentration of 0.1% by weight in homogenous materials for lead, hexavalent chromium, and mercury, and 0.01% for cadmium, or qualify for an exemption to these limits as defined in the Annexes of Directive 2000/53/EC (ELV). Regarding the REACH Regulation, the information TE provides on SVHC in articles for this part number is based on the latest European Chemicals Agency (ECHA) 'Guidance on requirements for substances in articles' posted at this URL: <https://echa.europa.eu/guidance-documents/guidance-on-reach>

Compatible Parts



TE Part # 141101-2
RECEPT CLUSTER



TE Part # 2-2150580-2
OCEAN_2.0_Applicator-E-110F150F



TE Part # 2150580-2
OCEAN_2.0_Applicator-E-110F150F



TE Part # 62131-8
CLSTR PIN RCPT



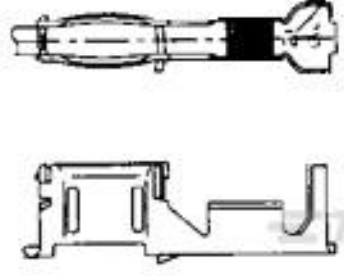
TE Part # 7-2150580-2
OCEAN_2.0_Applicator-E-110F150F



KIT
REPRESENTATION ONLY

TE Part # 7-2150580-7
OCEAN_2.0_SPARE_PART_KIT-110F150F

Customers Also Bought



TE Part #316292-1
3.2 CLUSTER REC L-TYPE



TE Part #5-1376382-1
STD Temp Power Key Header




TE Part #2-292132-8
CT P/HDR BOX V 8P BLUE



TE Part #1-292231-0
1.5 MINI CT SGL V SMT W/O BOSS



TE Part #720937-5
ANVIL



TE Part #2-22287-7
SPRING,EXTENSION



TE Part #409591-3
ANVIL



TE Part #722846-1
SHEAR PLATE



Documents

Product Drawings

2.3 CLUSTER REC AMPLIVAR TYPE

Japanese

CAD Files

Customer View Model

[ENG_CVM_353937-1_E1.3d_igs.zip](#)

English

Customer View Model

[ENG_CVM_353937-1_E1.3d_stp.zip](#)

English

Customer View Model

[ENG_CVM_353937-1_E1.2d_dxf.zip](#)

English

3D PDF

3D

3D PDF

3D

Customer View Model

[ENG_CVM_CVM_353937-1_J.2d_dxf.zip](#)

English

Customer View Model

[ENG_CVM_CVM_353937-1_J.3d_igs.zip](#)

English

Customer View Model

[ENG_CVM_CVM_353937-1_J.3d_stp.zip](#)

English

By downloading the CAD file I accept and agree to the [Terms and Conditions](#) of use.

Datasheets & Catalog Pages

Magnet Wire Terminals & Splices

English

Product Specifications

2.3 DIA Cluster Receptacle AMPLIVAR Type

English



Application Specification

English

Product Environmental Compliance

[MD_353937-1_050820141020_dmtec](#)

English

[MD_353937-1_050820141020_dmtec](#)

English