

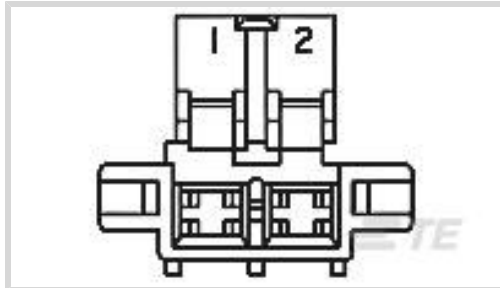
365058-1 ✓ ACTIVE

### Junior Timer

TE Internal #: 365058-1

TE Internal Description: 2P HSG F/JUNIOR TIMER NAT  
TIMER, CONNECTOR HOUSING

[View on TE.com >](#)



### All TIMER, CONNECTOR HOUSING (543)

### Product Compliance

[For compliance documentation, visit the product page on TE.com>](#)

EU RoHS Directive 2011/65/EU	Compliant
EU ELV Directive 2000/53/EC	Compliant
China RoHS 2 Directive MIIT Order No 32, 2016	No Restricted Materials Above Threshold
EU REACH Regulation (EC) No. 1907/2006	Current ECHA Candidate List: JUNE 2022 (224) Candidate List Declared Against: JAN 2022 (223) SVHC > Threshold: Not Yet Reviewed
Halogen Content	Low Halogen - Br, Cl, F, I < 900 ppm per homogenous material. Also BFR/CFR/PVC Free
Solder Process Capability	Not applicable for solder process capability

#### Product Compliance Disclaimer

This information is provided based on reasonable inquiry of our suppliers and represents our current actual knowledge based on the information they provided. This information is subject to change. The part numbers that TE has identified as EU RoHS compliant have a maximum concentration of 0.1% by weight in homogenous materials for lead, hexavalent chromium, mercury, PBB, PBDE, DBP, BBP, DEHP, DIBP, and 0.01% for cadmium, or qualify for an exemption to these limits as defined in the Annexes of Directive 2011/65/EU (RoHS2). Finished electrical and electronic equipment products will be CE marked as required by Directive 2011/65/EU. Components may not be CE marked. Additionally, the part numbers that TE has identified as EU ELV compliant have a maximum concentration of 0.1% by weight in homogenous materials for lead, hexavalent chromium, and mercury, and 0.01% for cadmium, or qualify for an exemption to these limits as defined in the Annexes of Directive 2000/53/EC (ELV). Regarding the REACH Regulation, the information TE provides on SVHC in articles for this part number is based on the latest European Chemicals Agency (ECHA) 'Guidance on requirements for substances in articles' posted at this URL: <https://echa.europa.eu/guidance-documents/guidance-on-reach>

### Compatible Parts



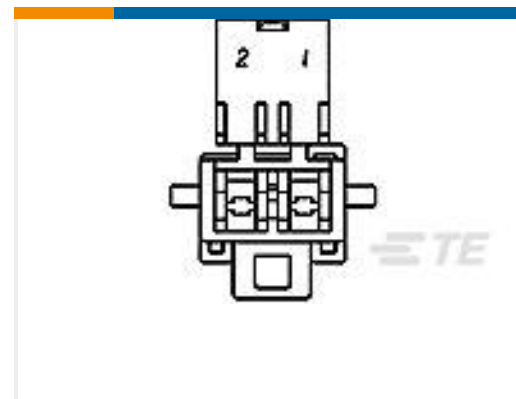
TE Part # CAT-T4827-CH8172  
TIMER, CONNECTOR HOUSING



TE Part # CAT-T4827-T273  
TIMER, RECEPTACLE AND TAB



TE Part # 927871-4  
JUNIOR-TIMER KONT



TE Part # 365057-4  
2P TAB HSG YLW

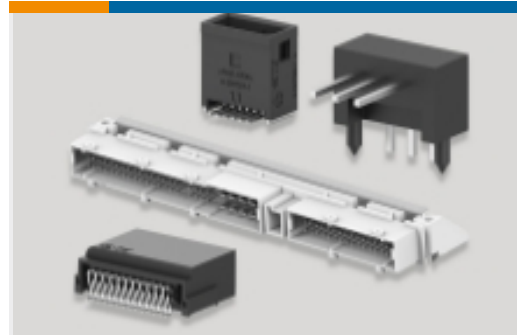
### Also in the Series | Junior Timer



Automotive Housings(65)

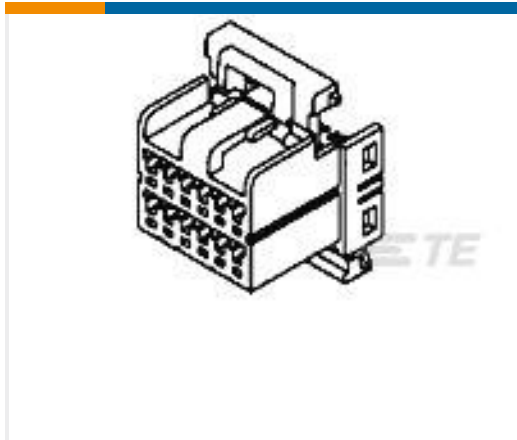


Automotive Terminals(12)



PCB Headers & Receptacles(3)

### Customers Also Bought



TE Part #174047-2  
040 MULTILOCK PLUG 20P



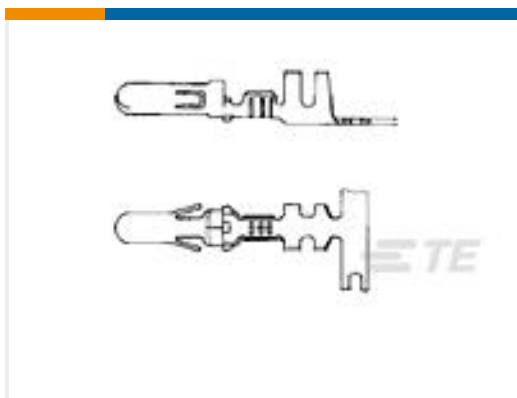
TE Part #770586-1  
22P MINI UMNL PLUG HSG



TE Part #925661-2  
.140 DIA SOCKET



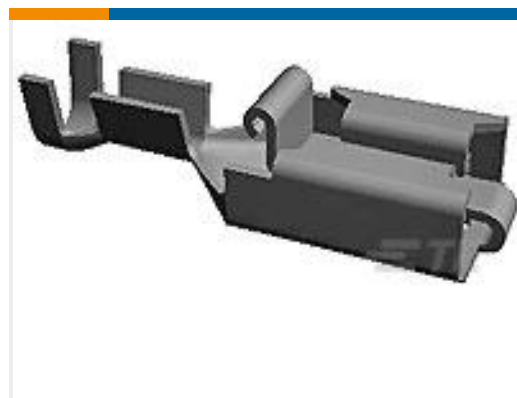
TE Part #3-640599-3  
03P MTA156 CONN ASSY 18AWG  
ORA



TE Part #925660-2  
140 DIA PIN



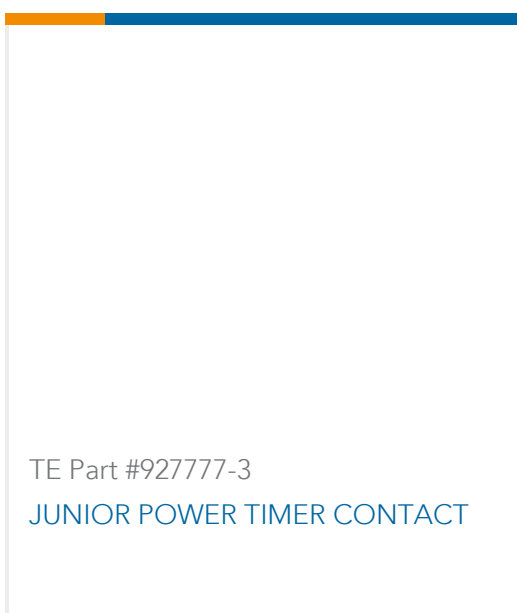
TE Part #1-1414167-0  
V23134A0056X432-EV-CBOX



TE Part #160759-3  
250 PL MKI REC. 20-15AWG TPBR



TE Part #927777-1  
JUNIOR POWER TIMER CONTACT



TE Part #927777-3  
JUNIOR POWER TIMER CONTACT



TE Part #9-1904049-3  
V23134A1007X940-EV-850



## Documents

### Product Drawings

[2P HSG F/JUNIOR TIMER NAT](#)

English

---

### CAD Files

[3D PDF](#)

English

Customer View Model

[ENG\\_CVM\\_365058-1\\_D.2d\\_dxf.zip](#)

English

Customer View Model

[ENG\\_CVM\\_365058-1\\_D.3d\\_igs.zip](#)

English

Customer View Model

[ENG\\_CVM\\_365058-1\\_D.3d\\_stp.zip](#)

English

By downloading the CAD file I accept and agree to the [Terms and Conditions](#) of use.

---

### Datasheets & Catalog Pages

[Timer Interconnection System](#)

English