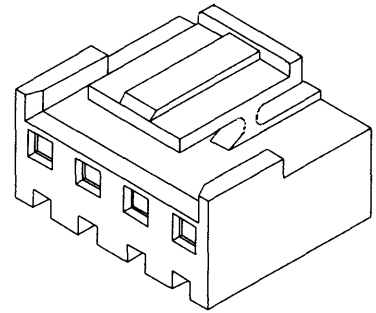


molex® **3.96mm (.156") Pitch**
Wire-to-Board
Housing

35977
Positive Lock



FEATURES AND SPECIFICATIONS

Features and Benefits

- Sizes 2 to 10 circuits
- Positive lock provides secure mating retention
- Polarization prevents mismatching

Reference Information

Product Specification: PS-35978-001 and PS-35979-001

Packaging: Bag

Mates With: 35978 and 35979

Use With: 35922

Designed In: Millimeters

Electrical

Voltage: 250V

Current: 7.0A

Contact Resistance: 10mΩ max.

Dielectric Withstanding Voltage: 1500V

Insulation Resistance: 500 MΩ min.

Mechanical

Contact Insertion Force: 14.7N (3.3 lb) max.

Contact Retention to Housing: 24.5N (5.5 lb) min.

Mating Force: 98.1N (22.0 lb) max.

Unmating Force: 5.9N (1.3 lb) min.

Durability: 30 cycles

Physical

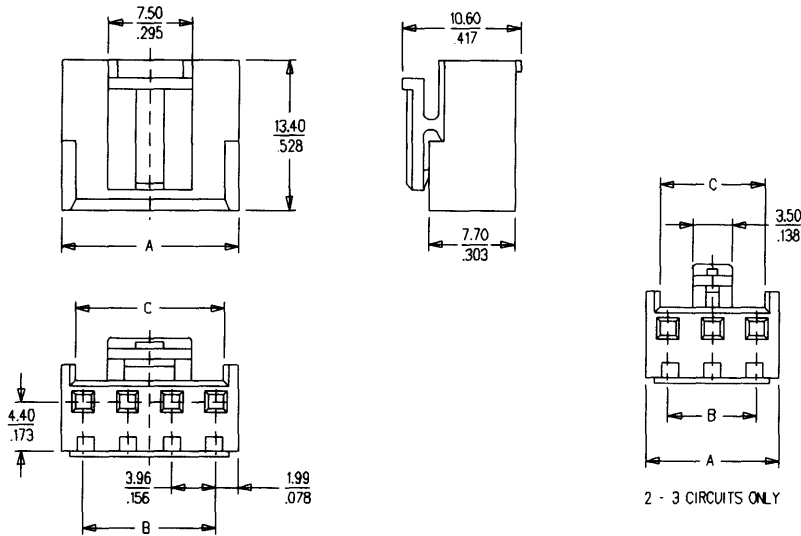
Housing: PA66, UL 94V-0

Operating Temperature: -25 to +85°C



3.00 to 7.92mm (.118 to .312") Pitch

CATALOG DRAWING (FOR REFERENCE ONLY)



2 - 3 CIRCUITS ONLY

ORDERING INFORMATION AND DIMENSIONS

Circuits	Order No.			Dimension		
	White	Red	Blue	A	B	C
2	35977-0200	35977-0202	35977-0204	7.94 (.313)	3.96 (.156)	5.40 (.213)
3	35977-0300	35977-0302	35977-0304	11.90 (.469)	7.92 (.312)	9.36 (.369)
4	35977-0400	35977-0402	35977-0404	15.86 (.624)	11.88 (.468)	13.32 (.524)
5	35977-0500	35977-0502	35977-0504	19.82 (.780)	15.84 (.624)	17.28 (.680)
6	35977-0600	35977-0602	35977-0604	23.78 (.936)	19.80 (.780)	21.24 (.836)
7	35977-0700	35977-0702	35977-0704	27.74 (1.092)	23.76 (.935)	25.20 (.992)
8	35977-0800	35977-0802	35977-0804	31.70 (1.248)	27.72 (1.091)	29.16 (1.148)
9	35977-0900	35977-0902	35977-0904	35.66 (1.404)	31.68 (1.247)	33.12 (1.304)
10	35977-1000	35977-1002	35977-1004	39.62 (1.560)	35.64 (1.403)	37.08 (1.460)