

42617-1 ✓ ACTIVE

FASTON | FASTON 187

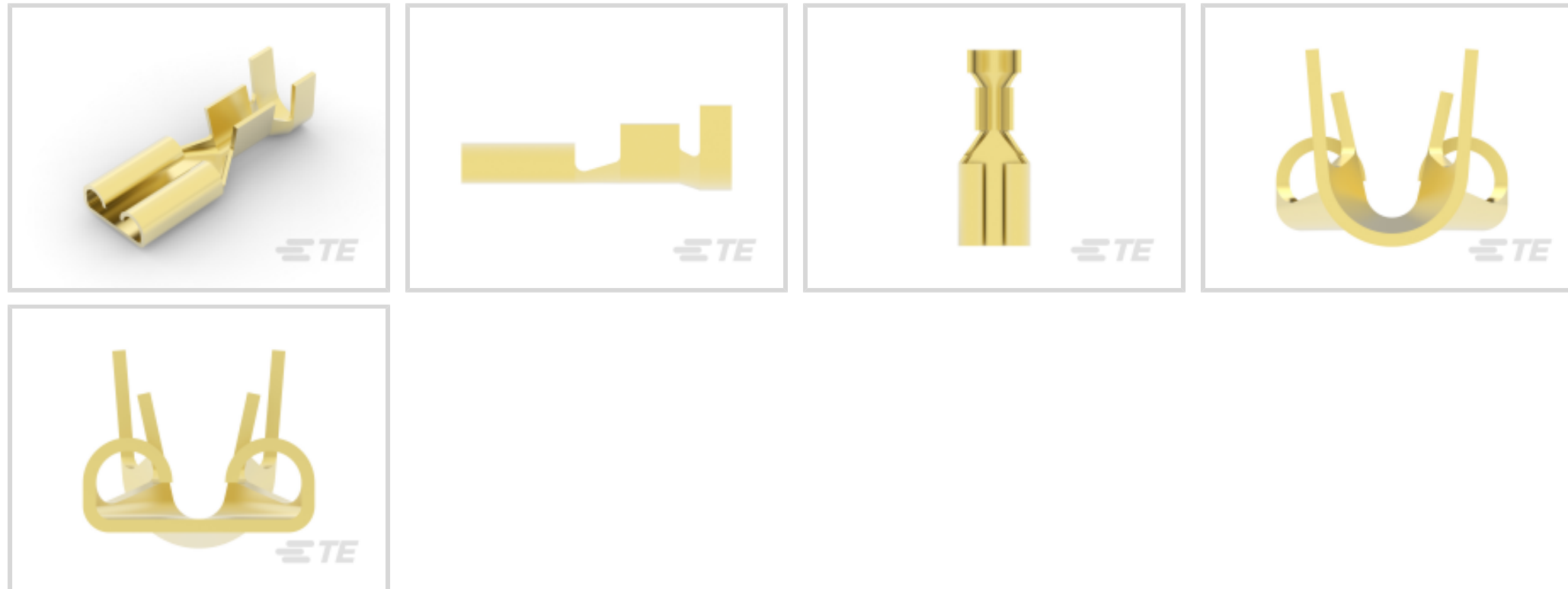
TE Internal #: 42617-1

Quick Disconnects, Receptacle, 20 – 16 AWG Wire Size, .51 – 1.31 mm² Wire Size, Mating Tab Width .187 in [4.75 mm], Straight, Brass, FASTON 187

[View on TE.com >](#)



Terminals & Splices > Quick Disconnects



Quick Disconnect Terminal Type: **Receptacle**

Wire Size: .51 – 1.31 mm²

Mating Tab Width: 4.75 mm [.187 in]

Mating Tab Thickness: .51 mm [.02 in]

Features

Product Type Features

Terminates To	Wire & Cable
Wire/Cable Type	Regular Wire
Wire Stop	No
Insertion Force	Normal
Sealable	No

Configuration Features

Connection Capacity	Single
---------------------	--------

Contact Features

Quick Disconnect Terminal Type	Receptacle
Mating Tab Width	4.75 mm [.187 in]
Mating Tab Thickness	.51 mm [.02 in]
Terminal Orientation	Straight
Contact Base Material	Brass
Terminal Plating Material	Unplated
Crimp Type	F-Crimp



Barrel Type	Open
-------------	------

Mechanical Attachment

Mating Retention Type	Dimple
Wire Insulation Support	With

Dimensions

Accepts Wire Insulation Diameter Range	2.29 – 3.3 mm [.09 – .13 in]
Receptacle Terminal Stock Thickness	.3 mm [.012 in]
Overall Length	14.86 mm [.585 in]
Wire Size	.51 – 1.31 mm ²

Usage Conditions

Insulation Option	Uninsulated
Operating Temperature Range	-40 – 110 °C [-40 – 230 °F]

Industry Standards

CSA Certified	Yes
UL Rating	Listed

Packaging Features

Packaging Quantity	20000
Packaging Method	Strip/Reel

Other

Line	Budget
------	--------

Product Compliance

[For compliance documentation, visit the product page on TE.com>](#)

EU RoHS Directive 2011/65/EU	Compliant
EU ELV Directive 2000/53/EC	Compliant
China RoHS 2 Directive MIIT Order No 32, 2016	No Restricted Materials Above Threshold
EU REACH Regulation (EC) No. 1907/2006	Current ECHA Candidate List: JUNE 2022 (224) Candidate List Declared Against: JAN 2022 (223) SVHC > Threshold: Not Yet Reviewed
Halogen Content	Low Halogen - Br, Cl, F, I < 900 ppm per homogenous material. Also BFR/CFR/PVC

Free

Solder Process Capability

Not applicable for solder process capability

Product Compliance Disclaimer

This information is provided based on reasonable inquiry of our suppliers and represents our current actual knowledge based on the information they provided. This information is subject to change. The part numbers that TE has identified as EU RoHS compliant have a maximum concentration of 0.1% by weight in homogenous materials for lead, hexavalent chromium, mercury, PBB, PBDE, DBP, BBP, DEHP, DIBP, and 0.01% for cadmium, or qualify for an exemption to these limits as defined in the Annexes of Directive 2011/65/EU (RoHS2). Finished electrical and electronic equipment products will be CE marked as required by Directive 2011/65/EU. Components may not be CE marked. Additionally, the part numbers that TE has identified as EU ELV compliant have a maximum concentration of 0.1% by weight in homogenous materials for lead, hexavalent chromium, and mercury, and 0.01% for cadmium, or qualify for an exemption to these limits as defined in the Annexes of Directive 2000/53/EC (ELV). Regarding the REACH Regulation, the information TE provides on SVHC in articles for this part number is based on the latest European Chemicals Agency (ECHA) 'Guidance on requirements for substances in articles' posted at this URL: <https://echa.europa.eu/guidance-documents/guidance-on-reach>

Compatible Parts



TE Part # 63477-2
187 FASTON REC 20-16 AWG TPBR



TE Part # 63477-6
187 FASTON REC 20-16 AWG TPBZ



TE Part # 2150007-1
OCEAN_2.0_Applicator-E-090F140F



TE Part # 1494219-1
110 FASTON,REC.,18-22 AWG,BR



TE Part # 2-2150007-1
OCEAN_2.0_Applicator-E-090F140F



TE Part # 2-2150007-2
OCEAN_2.0_Applicator-E-090F140F



TE Part # 2150007-2
OCEAN_2.0_Applicator-E-090F140F



TE Part # 2232975-1
187 FASTON,REC.,20-16 AWG,TPBR



TE Part # 63667-3
MAG-MATE 187 FAST TAB 020TPBR



TE Part # 7-2150007-1
OCEAN_2.0_Applicator-E-090F140F



TE Part # 7-2150007-2
OCEAN_2.0_Applicator-E-090F140F



KIT
TE Part # 7-2150007-7
OCEAN_2.0_SPARE_PART_KIT-090F140F
REPRESENTATION ONLY

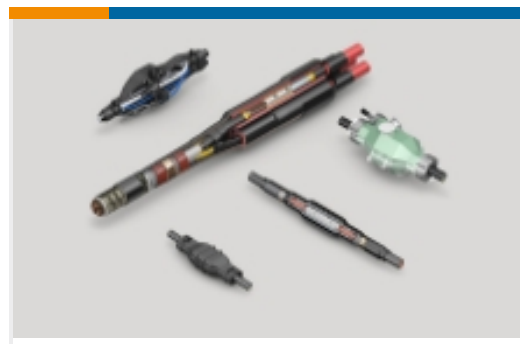
Also in the Series | **FASTON 187**



Crimp Terminal Housings(41)



Insertion & Extraction Tools(1)



Joints & Splices(1)



PCB Terminals(48)



Quick Disconnects(214)



Splices(1)

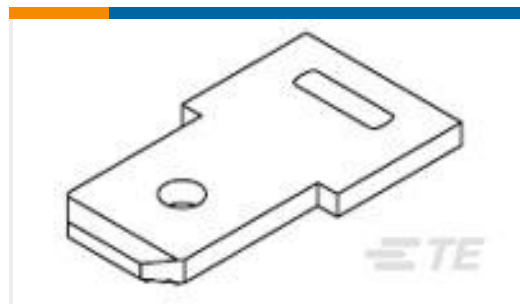
Customers Also Bought



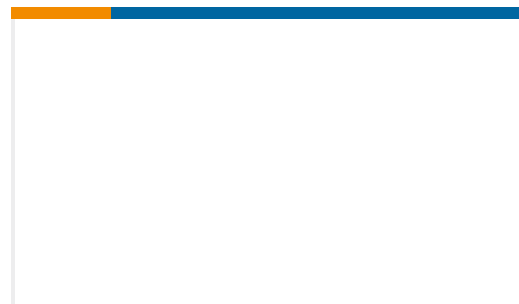
TE Part #350699-1
UMNL SPLIT PIN PTPBR



TE Part #63482-1
RING 18-14 AWG TPSTL



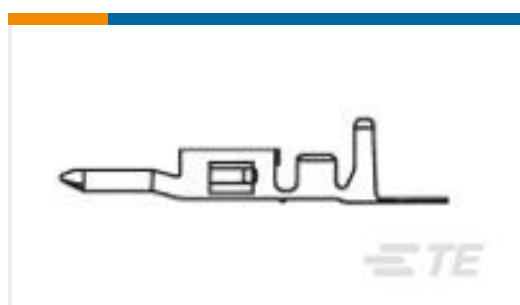
TE Part #42559-1
250 FASTON TAB NPST



TE Part #794991-1
02P UMNL BLACK INTERFACE SEAL



TE Part #1586852-1
04P UMNL PLUG HSG, GW



TE Part #794955-1
VAL-U-LOK PIN BR SN 22-18AWG



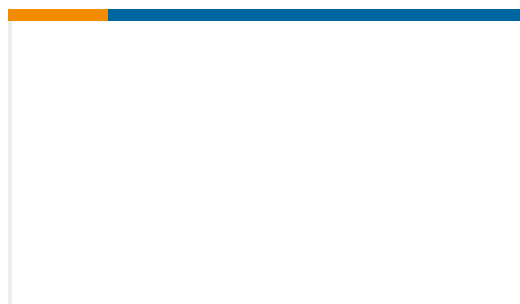
TE Part #40509
SPLICE 3300 TO 9000 CMA BR



TE Part #1586851-1
02P UMNL PLUG HSG, GW



TE Part #60772-1
RING CRIMP 18-14 AWG BR



TE Part #794992-1
03P UMNL BLACK INTERFACE SEAL

Documents



Product Drawings

187 FASTON REC 20-16 AWG BR

English

CAD Files

Customer View Model

[ENG_CVM_CVM_42617-1_AM.2d_dxf.zip](#)

English

3D PDF

3D

Customer View Model

[ENG_CVM_CVM_42617-1_AM.3d_igs.zip](#)

English

Customer View Model

[ENG_CVM_CVM_42617-1_AM.3d_stp.zip](#)

English

By downloading the CAD file I accept and agree to the [Terms and Conditions](#) of use.

Datasheets & Catalog Pages

82004 FASTON Terminals (Insulated and Uninsulated) Catalog - FASTON Receptacles Section

English

Product Specifications

Application Specification

English

Product Environmental Compliance

[MD_42617-1_0228201808_dmtec](#)

English

[MD_42617-1_0228201808_dmtec](#)

English

Agency Approvals

UL Report

English