

42806-2 ✓ ACTIVE

FASTON | FASTON 250

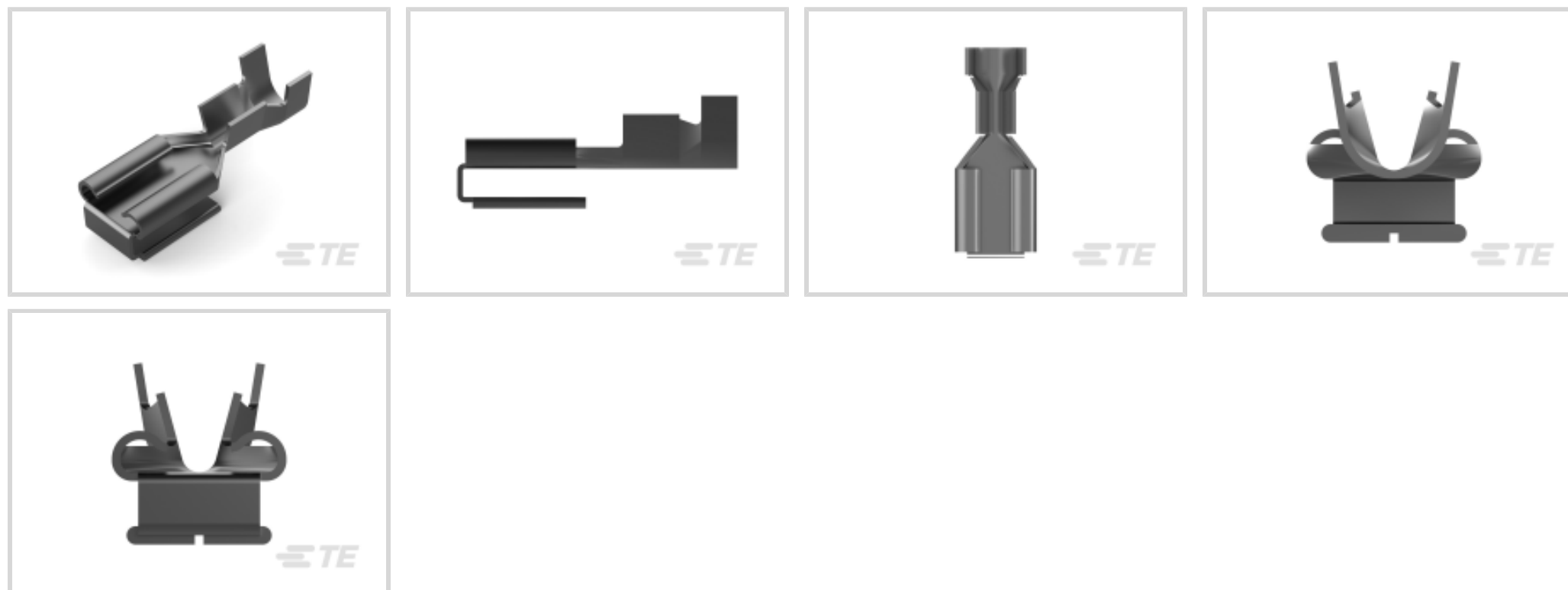
TE Internal #: 42806-2

Quick Disconnects, Receptacle, 18 – 14 AWG Wire Size, .82 – 2.08 mm² Wire Size, Mating Tab Width .25 in [6.35 mm], Piggyback, Brass, FASTON 250

[View on TE.com >](#)



Terminals & Splices > Quick Disconnects



Quick Disconnect Terminal Type: **Receptacle**

Wire Size: .82 – 2.08 mm²

Mating Tab Width: 6.35 mm [.25 in]

Mating Tab Thickness: .81 mm [.032 in]

Features

Product Type Features

Terminates To	Wire & Cable
Wire Stop	No
Wire/Cable Type	Regular Wire
Insertion Force	Normal
Sealable	No

Configuration Features

Connection Capacity	Single
---------------------	--------

Contact Features

Quick Disconnect Terminal Type	Receptacle
Mating Tab Width	6.35 mm [.25 in]
Mating Tab Thickness	.81 mm [.032 in]
Terminal Orientation	Piggyback
Contact Base Material	Brass
Terminal Plating Material	Tin
Crimp Type	F-Crimp



Barrel Type	Open
-------------	------

Mechanical Attachment

Mating Retention Type	Dimple
Wire Insulation Support	With

Dimensions

Accepts Wire Insulation Diameter Range	3.1 – 4.3 mm [.12 – .17 in]
Overall Length	23.75 mm [.81 in]
Receptacle Terminal Stock Thickness	.4 mm [.015 in]
Wire Size	.82 – 2.08 mm ²

Usage Conditions

Insulation Option	Uninsulated
Operating Temperature Range	-40 – 110 °C [-40 – 230 °F]

Industry Standards

UL Rating	Listed
CSA Certified	Yes

Packaging Features

Packaging Quantity	1000
Packaging Method	Loose Piece/Carton

Product Compliance

[For compliance documentation, visit the product page on TE.com>](#)

EU RoHS Directive 2011/65/EU	Compliant
EU ELV Directive 2000/53/EC	Compliant
China RoHS 2 Directive MIIT Order No 32, 2016	No Restricted Materials Above Threshold
EU REACH Regulation (EC) No. 1907/2006	Current ECHA Candidate List: JUNE 2022 (224) Candidate List Declared Against: JAN 2022 (223) SVHC > Threshold: Not Yet Reviewed
Halogen Content	Low Halogen - Br, Cl, F, I < 900 ppm per homogenous material. Also BFR/CFR/PVC Free
Solder Process Capability	Not applicable for solder process capability

Product Compliance Disclaimer

This information is provided based on reasonable inquiry of our suppliers and represents our current actual knowledge based on the information they provided. This information is subject to change. The part numbers that TE has identified as EU RoHS compliant have a maximum concentration of 0.1% by weight in homogenous materials for lead, hexavalent chromium, mercury, PBB, PBDE, DBP, BBP, DEHP, DIBP, and 0.01% for cadmium, or qualify for an exemption to these limits as defined in the Annexes of Directive 2011/65/EU (RoHS2). Finished electrical and electronic equipment products will be CE marked as required by Directive 2011/65/EU. Components may not be CE marked. Additionally, the part numbers that TE has identified as EU ELV compliant have a maximum concentration of 0.1% by weight in homogenous materials for lead, hexavalent chromium, and mercury, and 0.01% for cadmium, or qualify for an exemption to these limits as defined in the Annexes of Directive 2000/53/EC (ELV). Regarding the REACH Regulation, the information TE provides on SVHC in articles for this part number is based on the latest European Chemicals Agency (ECHA) 'Guidance on requirements for substances in articles' posted at this URL: <https://echa.europa.eu/guidance-documents/guidance-on-reach>

Compatible Parts



REPRESENTATION ONLY

TE Part # 720725-1
DAHT 250 FASTIN-ON TAB REC 18-14 ASSY



TE Part # 174195-1
250 FASTON HSG.,REC.,1 POS, NATRUAL



TE Part # 726308-1
250 FASTON REC BR

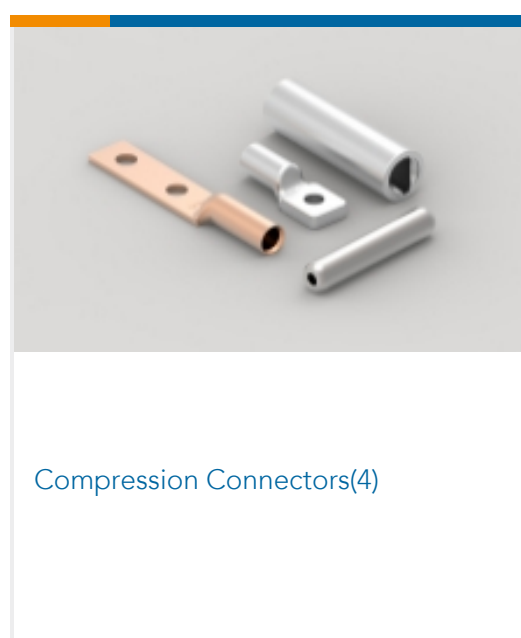


TE Part # 174200-1
250 FASTON HSG.,REC.,3 POS, NATRUAL

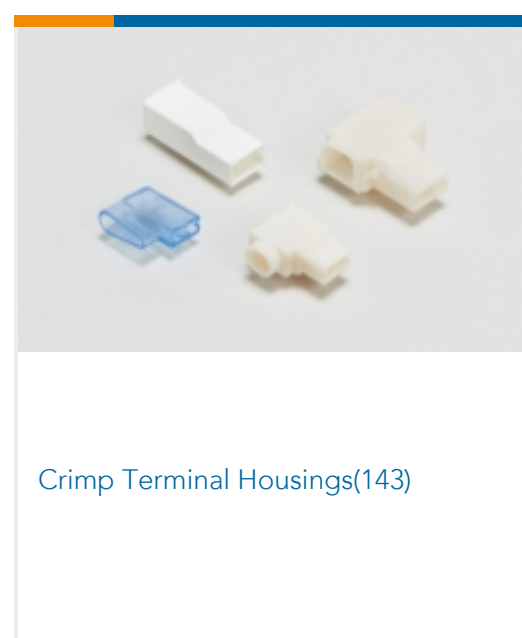


TE Part # 1-880683-2
.250 SERIES FASTON

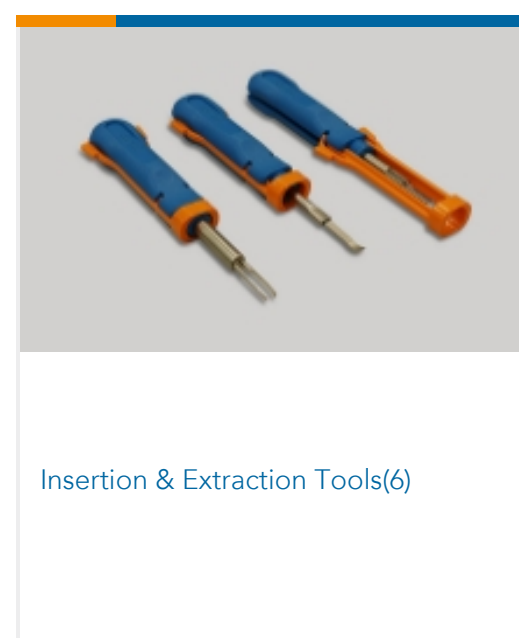
Also in the Series | FASTON 250



Compression Connectors(4)



Crimp Terminal Housings(143)



Insertion & Extraction Tools(6)



Magnet Wire Terminals(1)



PCB Terminals(144)

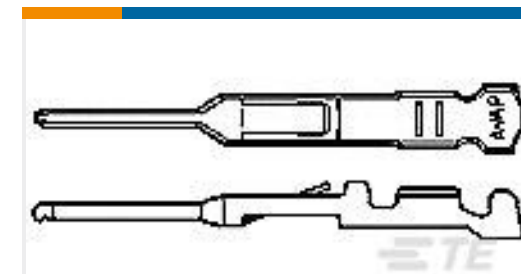
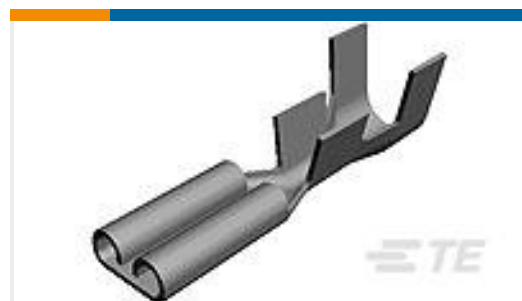


Quick Disconnects(456)



Splices(4)

Customers Also Bought

TE Part #178308-3
DYNAMIC D-3 HDR ASSY H 20PTE Part #172211-4
EIS CAP HSG FREE HANG 4P
NATUTURALTE Part #171822-7
EIS REC. HSG 7P-NATURALTE Part #170429-1
EIS REC CONT 26-20 AWG BR TNTE Part #170048-2
110 FASTON, REC., 24-20 AWG, TPBRTE Part #1-171825-0
EIS HSGTE Part #1-171822-2
EIS REC. HSG 12P-NATURALTE Part #170084-2
250 FASTON, REC., 18-14 AWG, TPPB

Documents

Product Drawings

[250 FASTON REC 18-14 AWG TPBR](#)

Japanese

CAD Files

[3D PDF](#)

3D

Customer View Model

[ENG_CVM_CVM_42806-2_L.2d_dxf.zip](#)

English

Customer View Model

[ENG_CVM_CVM_42806-2_L.3d_igs.zip](#)

English

Customer View Model

[ENG_CVM_CVM_42806-2_L.3d_stp.zip](#)

English

Customer View Model



[ENG_CVM_42806-2_A.3d_igs.zip](#)

English

Customer View Model

[ENG_CVM_42806-2_A.3d_stp.zip](#)

English

Customer View Model

[ENG_CVM_42806-2_A.2d_dxf.zip](#)

English

3D PDF

English

By downloading the CAD file I accept and agree to the [Terms and Conditions](#) of use.

Product Specifications

[Product Specification](#)

English

Instruction Sheets

[Instruction Sheet \(non U.S.\)](#)

Japanese

[Instruction Sheet \(non U.S.\)](#)

Japanese