

4

3

2

1

THIS DRAWING IS UNPUBLISHED.

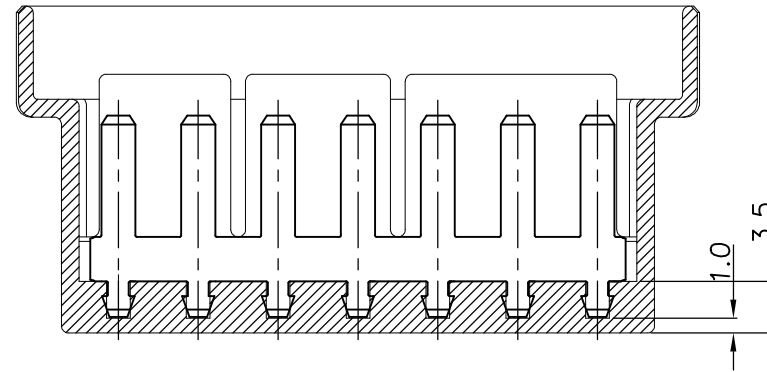
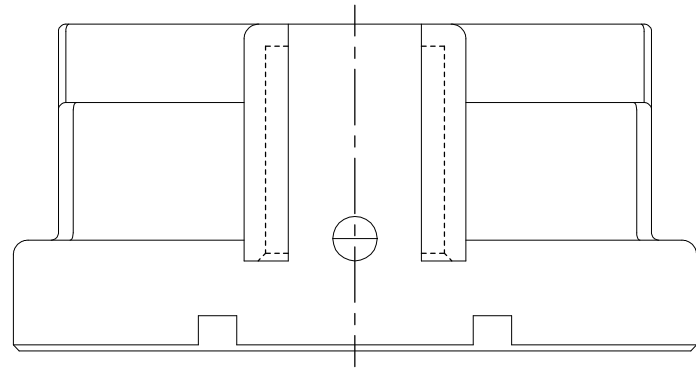
RELEASED FOR PUBLICATION

20

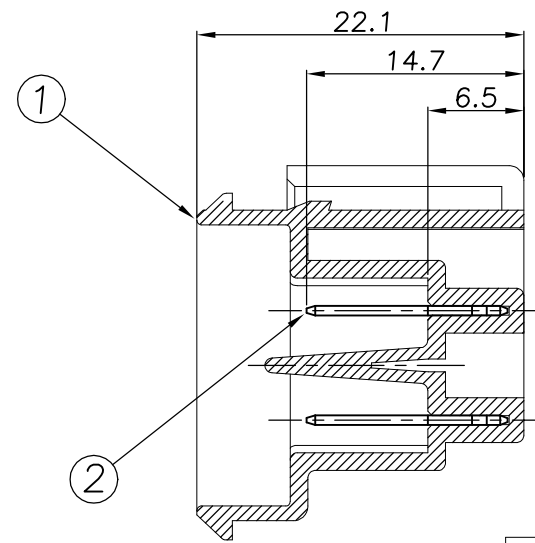
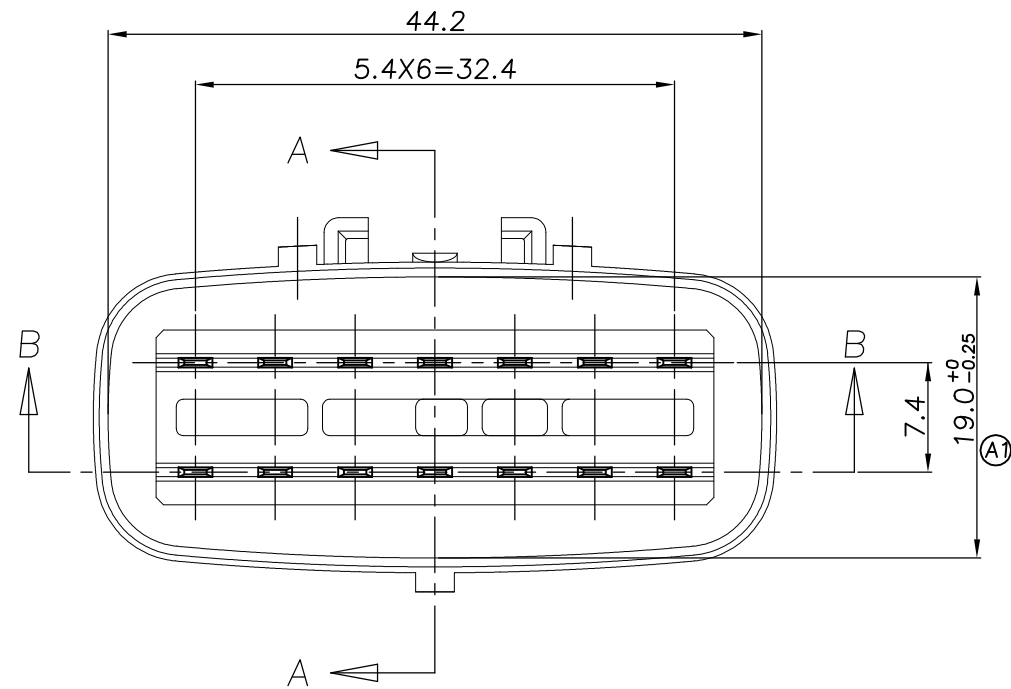
© COPYRIGHT 20 BY -

ALL RIGHTS RESERVED.

LOC	DIST	REVISIONS			
P	LTR	DESCRIPTION	DATE	DWN	APVD
DS	-				
		RELEASED	23.SEP.'98	YJ	CS
		REVISED (ECR-13-002791)	15.FEB.'13	SJ	HG
		REVISED (ECR-18-010069)	28.JUN.'18	TY	YJ



SECT B-B
(S 2:1)



SECT A-A

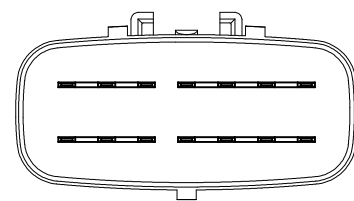
Ⓐ NOTE.

- 1. GENERAL TOLERANCE : ± 0.15, ± 1.0°
- 2. MATING PLUG ASS'Y P/N : 368285

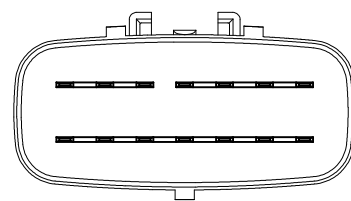
NO	DESCRIPTION	MATERIAL	COLOR	P/N	Q'TY
2	TAB (7P)	BRASS		368870-3	2 1
2	TAB (4P)	BRASS		368870-2	1 2
2	TAB (3P)	BRASS		368870-1	1 2
1	.090 14P SPLICE PACK CAP HSG	PA 66	BROWN	368279-3	1
1	.090 14P SPLICE PACK CAP HSG	PA 66	GRAY	368279-2	1
1	.090 14P SPLICE PACK CAP HSG	PA 66	BLACK	368279-1	1

ASS'Y NO	DESCRIPTION
368268-3	.090 SPLICE PACK 14P ASS.Y
368268-2	.090 SPLICE PACK 14P ASS.Y
368268-1	.090 SPLICE PACK 14P ASS.Y

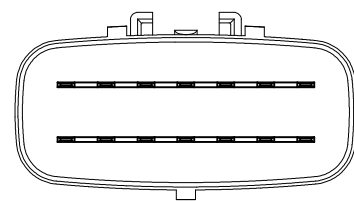
TAB ASS'Y LAYOUT



368268-1



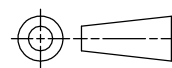
368268-2



368268-3

THIS DRAWING IS A CONTROLLED DOCUMENT.

DIMENSIONS: mm



TOLERANCES UNLESS OTHERWISE SPECIFIED:

MATERIAL FINISH

DWN SJ CHOI

CHK JW JUNG

APVD HG CHO

PRODUCT SPEC

APPLICATION SPEC

WEIGHT

CUSTOMER DRAWING

NAME

090 14P SPLICE PACK CAP ASS'Y

SIZE

CAGE CODE

DRAWING NO

RESTRICTED TO

A3

00779

C-368268

SCALE

2:1

SHEET

1

OF

1

REV

A1



TE Connectivity